

PIFLUX:E

PIFLUX:E



2HP|3HP CYCLONE

1 MICRON CANISTER | HEPA CANISTER



SAFETY



Thank you for investing in a Laguna Tools PFLUX2 or PFLUX3 cyclone dust collector. This cyclone is one of a family of unique machines proudly offered by Laguna Tools. Every Laguna machine is engineered for years of dependable service. Please feel free to contact Laguna Tools if you have a question or suggestion. We appreciate working with you and your choice of a Laguna Tools machine for your shop.

Regards,
Torben Helshoj
President & Founder Laguna Tools

Dealer Machinery Warranty

New woodworking machines sold by Laguna Tools carry a two-year warranty effective from the date of dealer invoice to consumer. Machines sold through dealers must be registered with Laguna Tools within 30 days of purchase to be covered by this warranty. Laguna Tools guarantees all new machine sold to be free of manufacturers' defective workmanship, parts, and materials. We will repair or replace, without charge, any parts determined by Laguna Tools, Inc. to be a manufacturer's defect. We require that the defective item/part be returned to Laguna Tools with the complaint. An RMA (return merchandise authorization) must be requested, from Laguna Tools, and included with any and all parts or machines returned to Laguna Tools for warranty consideration. Any machines returned to Laguna Tools must be returned with packaging in the same manner in which it was received. If a part or blade is being returned it must have adequate packaging to ensure no damage is received during shipping. In the event the item/part is determined to be damaged due to lack of maintenance, cleaning or misuse/abuse, the customer will be responsible for the cost to replace the item/part, plus all related shipping charges. This limited warranty does not apply to natural disasters, acts of terrorism, normal wear and tear, product failure due to lack of maintenance or cleaning, damage caused by accident, neglect, lack of or inadequate dust collection, misuse/abuse or damage caused where repair or alterations have been made or attempted by others.

This manual applies to the PFLUX2 and PFLUX3 cyclone dust collectors. Enter the model number and serial number below for quick reference when ordering accessories, supplies or parts. NOTE: The model and serial number plate can be found on the Top Upright Support, on the right side near filter and ON/OFF switch.

Model: _____

Serial: _____

Laguna Tools

800-234-1976

www.lagunatools.com



CONTENTS

Warranty:	01
Safety:	03
Important Safety Instructions	04
General Safety Rules	08
Wiring Diagrams:	10
Power Connections	12
Power Supply	13
Programming Remote Control:	15
Unpacking:	16
Assembly:	17
Power Supply:	29
Operation:	30
Maintenance:	30
HEPA Filter Replacement	31
Trouble Shooting:	33
Parts Breakdown / Exploded Views:	39
Parts List	44
Specifications:	48
Supplies:	48



Warranty Registration

Register your machine at <https://lagunatools.com/policies/warranty/>

To prevent voiding this warranty, all products sold must be registered within thirty (30) days of receiving the product. Registering the product will enable the original purchaser to receive notifications about important product changes, receive customer service, and be able to file a warranty claim against defective workmanship, parts, or materials.

SAFETY

READ AND UNDERSTAND THIS MANUAL AND ALL INSTRUCTIONS BEFORE USING THIS EQUIPMENT. Failure to follow all instructions may result in electric shock, fire and/or serious personal injury or property damage! Electronic copies of this manual are available at www.lagunatools.com.

SAFETY GUIDELINES - DEFINITIONS

This manual contains information that is important for you to know and understand. This information relates to protecting YOUR SAFETY and PREVENTING EQUIPMENT PROBLEMS. To help you recognize this information, we use the symbols below. Please read the manual and pay attention to these sections.



Indicates an imminently hazardous situation which, if not avoided, **will** result in death or serious injury.



Indicates a potentially hazardous situation which, if not avoided, **could** result in death or serious injury.



Indicates a potentially hazardous situation which, if not avoided, **may** result in minor or moderate injury.



(Used without the safety alert symbol) indicates a potentially hazardous situation which, if not avoided, **may** result in property damage.

LAGUNA

Woodworking (and similar materials) can be dangerous if safe and proper operating procedures are not followed. As with all machinery, there are certain hazards involved with the operation of the machine. Using the machine with respect and caution will considerably lessen the possibility of personal injury. However, if normal safety precautions are overlooked or ignored, personal injury to the operator may result. Safety equipment such as guards, push sticks, hold-downs, featherboards, goggles, dust masks and hearing protection can reduce the potential for injury. Even the best guard will not make up for poor judgement, carelessness, or inattention. **Always use common sense** and exercise caution in the workshop. If a procedure feels dangerous, do not try it. Figure out an alternative procedure that is safer. **REMEMBER:** Your personal safety is your responsibility.

IMPORTANT SAFETY INSTRUCTIONS

WARNING

This machine was designed for certain applications only. We strongly recommend that this machine not be modified and/or used for any application other than that for which it was designed. If you have any questions relative to a particular application, **DO NOT** use the machine until you have first contacted the manufacturer to determine if it can or should be performed on the product.

If you have any questions relative to its application **DO NOT** use the product until you have contacted the manufacturer and we have advised you.

When using an electrical appliance/machine, basic precautions should always be followed, including the following:

READ ALL INSTRUCTIONS BEFORE USING (THIS APPLIANCE/MACHINE)

WARNING

To reduce the risk of fire, electric shock, or injury:

1. Do not leave appliance when plugged in. Unplug from outlet when not in use and before servicing.
2. Do not use outdoors or on wet surfaces
3. Do not allow to be used as a toy. Close attention is necessary when used by or near children.
4. Use only as described in this manual. Use only manufacturer's recommended attachments.
5. Do not use with damaged cord or plug. If appliance is not working as it should, has been dropped, damaged, left outdoors, or dropped into water, return it to a service center.



6. Do not pull or carry by cord, use cord as a handle, close a door on cord, or pull cord around sharp edges or corners. Do not run appliance over cord. Keep cord away from heated surfaces.
7. Do not unplug by pulling on cord. To unplug, grasp the plug, not the cord.
8. Do not handle plug or appliance with wet hands.
9. Do not put any object into openings. Do not use with any opening blocked; keep free of dust, lint, hair, and anything that may reduce air flow.
10. Keep hair, loose clothing, fingers, and all parts of body away from openings and moving parts.
11. Turn off all controls before unplugging.
12. Use extra care when cleaning on stairs.
13. Do not use to pick up flammable or combustible liquids, such as gasoline, or use in areas where they may be present.
14. Connect to a properly grounded outlet only. See Grounding Instructions.

SAVE THESE INSTRUCTIONS

1. Read and understand the warnings posted on the machine and in this manual. Failure to comply with all warnings may cause serious injury.
2. Replace the warning labels if they become obscured or removed.
3. This Portable Cyclone Dust Collector is designed and intended for use by properly trained and experienced personnel only. If you are not familiar with the proper and safe operation of this type of dust collector, do not use until proper training and knowledge have been obtained.
4. Do not use this machine for other than its intended use. If used for other purposes, **LAGUNA TOOLS INC.**, disclaims any real or implied warranty and holds itself harmless from any injury that may result from that use.
5. Always wear approved safety glasses/face shields while using this machine.
6. Before operating this dust collector, remove tie, rings, watches, and other jewelry, and roll sleeves up past the elbows. Remove all loose clothing and confine long hair. Non-slip footwear or anti-skid floor strips are recommended. Do **not** wear gloves.
7. Wear ear protectors (plugs or muffs) during extended periods of operation.
8. Some dust created by power sanding, sawing, grinding, drilling and other construction activities contain chemicals known to cause cancer, birth defects or other reproductive harm. Some examples of these chemicals are: (next page)

LAGUNA

- Lead from lead-based paint.
- Crystalline silica from bricks, cement, and other masonry products.
- Arsenic and chromium from chemically treated lumber.

Your risk of exposure varies, depending on how often you do this type of work. To reduce your exposure to these chemicals, work in a well-ventilated area and work with approved safety equipment, such as face or dust masks that are specifically designed to filter out microscopic particles.

9. Do not operate this machine while tired or under the influence of drugs, alcohol, or any medication.
10. Make certain the switch is in the **OFF** position before connecting the machine to the power source.
11. Make certain the machine is properly grounded.
12. Make all machine adjustments or maintenance with the machine unplugged from the power source.
13. Form a habit of checking to see that all extra equipment such as adjusting keys, wrenches, scrap, stock, and cleaning rags are removed away from the machine before turning on.
14. Always keep safety guards in place when the machine is in use. If removed for maintenance purposes, use extreme caution, and replace the guards immediately when maintenance is complete.
15. Make sure the dust collector is on a flat even surface and the wheels locked in place before use.
16. Check damaged parts. Before further use of the machine, a guard or other part that is damaged should be carefully checked to determine that it will operate properly and perform its intended function. Check for alignment of moving parts, binding of moving parts, breakage of parts, mounting and any other conditions that may affect its operation. A guard or other part that is damaged should be properly repaired or replaced.
17. Provide for adequate space surrounding work area and non-glare, overhead lighting.
18. Keep the floor around the machine clean and free of scrap material, oil, and grease.
19. Keep visitors a safe distance from the work area. **Keep children away.**



20. Make your workshop child proof with padlocks, master switches or by removing starter keys.
21. Give your work undivided attention. Looking around, carrying on a conversation and “horse-play” are careless acts that can result in serious injury.
22. Always maintain a balanced stance so that you do not fall or lean against the dust collector. Do not overreach or use excessive force to perform any machine operation.
23. Use the right tool at the correct speed and feed rate. Do not force a tool or attachment to do a job for which it was not designed. The right tool will do the job better and safer.
24. Use recommended accessories; improper accessories may be hazardous.
25. Maintain machinery with care. Follow instructions for lubricating and changing accessories.
26. Turn off the machine before cleaning. Use a brush or compressed air to remove dust or debris — do not use your hands.
27. Do not stand on the machine. Serious injury could occur if the machine tips over.
28. Never leave the machine running unattended. Turn the power off and do not leave the machine until it comes to a complete stop.
29. Never operate or run the machine without closing the drum up against the lid. Failure to do so will result in the machine amperage increasing and may trip your circuit.

Familiarize yourself with the following safety notices used in this manual:

SAFETY GUIDELINES - DEFINITIONS

This manual contains information that is important for you to know and understand. This information relates to protecting YOUR SAFETY and PREVENTING EQUIPMENT PROBLEMS. To help you recognize this information, we use the symbols, described earlier. Please read the manual and pay attention to these sections.



GENERAL SAFETY RULES



FAILURE TO FOLLOW THESE RULES MAY RESULT IN SERIOUS INJURY.

FOR YOUR OWN SAFETY, READ AND UNDERSTAND THE INSTRUCTION MANUAL BEFORE OPERATING THE MACHINE. Learn the unit's application and limitations as well as the specific hazards peculiar to it.

KEEP WORK AREA CLEAN. Cluttered areas and benches invite accidents.

DON'T USE IN DANGEROUS ENVIRONMENT. Don't use this unit in damp or wet locations or expose it to rain. Keep work area well-lighted.

KEEP CHILDREN AND VISITORS AWAY. All children and visitors should be kept a safe distance from work area.

DISCONNECT UNIT before servicing.

CHECK DAMAGED PARTS. Before further use of the unit, properly repair or replace any part that is damaged.



FAILURE TO FOLLOW THESE RULES MAY RESULT IN SERIOUS INJURY.

ADDITIONAL SAFETY FOR DUST COLLECTORS

Intended use. This dust collector is only intended for collecting wood dust and chips from woodworking machines. Do not use this dust collector to collect metal, dirt, pebbles, drywall, asbestos, lead paint, silica, liquids, aerosols, or any flammable, combustible, or hazardous materials.

Hazardous dust. Dust created while using machinery may cause cancer, birth defects, or long-term respiratory damage. Be aware of dust hazards associated with each work piece material, and always wear a NIOSH-approved respirator to reduce your risk.

Dust allergies. Dust from certain woods may cause an allergic reaction in people and animals.

Make sure you know what type of wood dust you will be exposed to in case there is a possibility of an allergic reaction.



Wear respirator. Fine dust that is too small to be caught in the filter will be blown into the ambient air during operation. Always wear a NIOSH-approved respirator during operation and for a short time after to reduce your risk of permanent respiratory damage.

Emptying dust. When emptying dust from the collection container, wear a respirator and safety glasses. Empty dust away from ignition sources and into an approved container.

Disconnecting power supply. Turn the switch off, disconnect the dust collector from the power supply, and allow the impeller to come to a complete stop before leaving the machine unattended or doing any service, cleaning, maintenance, or adjustments.

Suspended dust particles and ignition sources. Do not operate the dust collector in areas where explosion risks are high. Areas of high risk include, but are not limited to, areas near pilot lights, open flames, or other ignition sources.

Fire suppression. Only operate the dust collector in locations that contain a fire suppression system or have a fire extinguisher nearby.

Impeller hazards. Do not place your hands or tools near the open inlet during operation for any reason. The powerful suction could easily cause accidental contact with the impeller, which will cause serious personal injury or damage to the machine. Always keep small animals and children away from open dust collection inlets.

Avoiding sparks. Do not allow steel or rocks to strike the impeller—this may produce sparks.

Sparks can smolder in wood dust for a long time before a fire is detected. If you accidentally cut

Into wood containing tramp metal (nails, staples, spikes, etc.), immediately turn **off** the dust collector, disconnect it from power, and wait for the impeller to stop—then empty the collection container into an approved airtight metal container.

Operating location. To reduce respiratory exposure to fine dust, locate permanently installed dust collectors away from the working area, or in another room that is equipped with a smoke detector. Do not operate the dust collector in rainy or wet locations—exposure to water may create a shock hazard or decrease the life of the machine.

Static electricity. Plastic dust lines generate high amounts of static electricity as dust chips pass through them. Although rare, sparks caused by static electricity can cause explosions or fire. To reduce this risk, make sure all dust lines are thoroughly grounded by using a grounding wire.

Regular cleaning. Regularly check/empty the collection bags or drum to avoid the buildup of fine dust that can increase the risk of fire. Make sure to regularly clean the

LAGUNA

surrounding area where the machine is operated—excessive dust buildup on overhead lights, heaters, electrical panels, or other heat sources will increase the risk of fire.

SAVE THESE INSTRUCTIONS.
Refer to them often and use them to instruct others.

WIRING DIAGRAMS

POWER CONNECTIONS

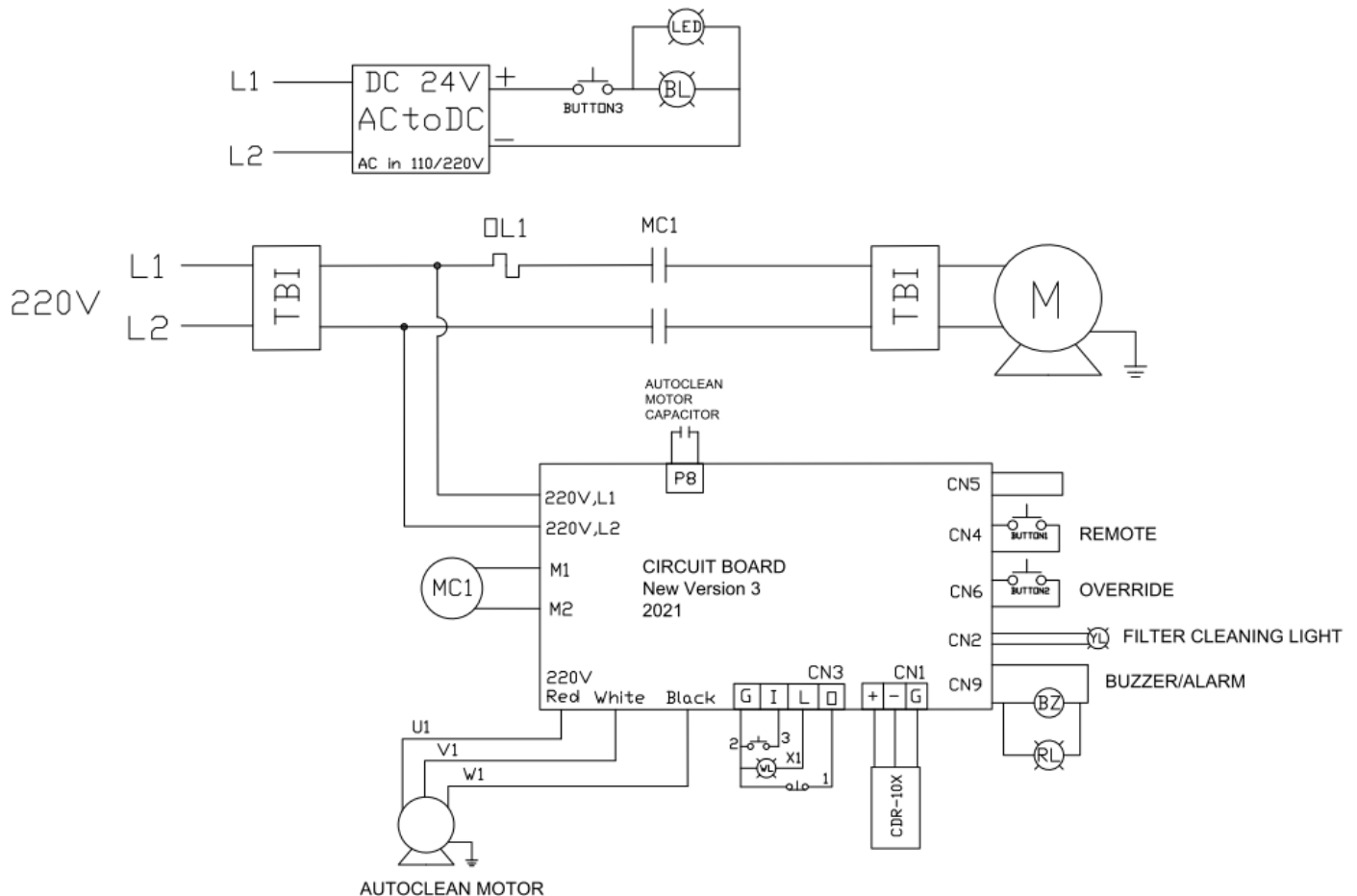


Figure 1: Power Connections & Wiring

CONTROL PANEL

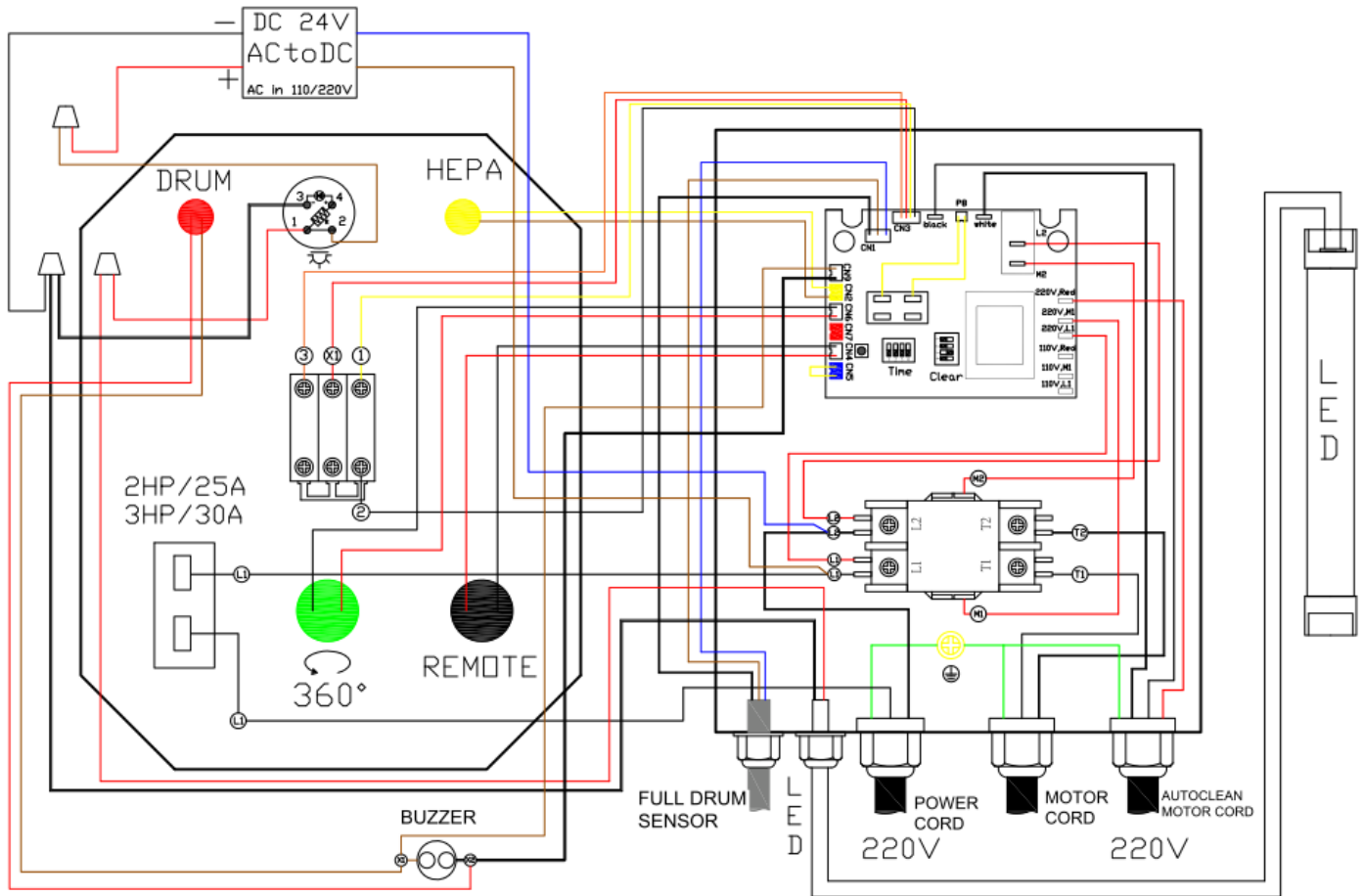


Figure 1A: Control Panel

SECONDARY JUNCTION BOX

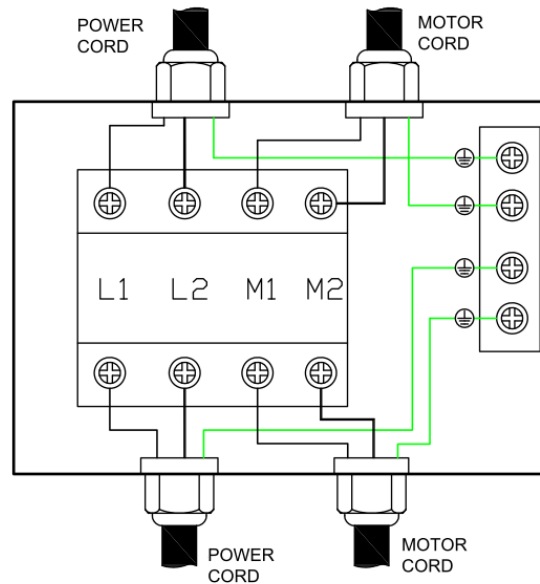


Figure 2: Internal Wiring



DO NOT EXPOSE THE MACHINE TO RAIN OR OPERATE THE MACHINE IN DAMP LOCATIONS.

MOTOR SPECIFICATIONS

Your machine is wired for 220 volts, 60 HZ alternating current. Before connecting the machine to the power source, make sure the switch is in the "OFF" position. An (appx.) 8' cord is included, a "plug" is NOT included. A plug must be installed by a qualified technician.

GROUNDING INSTRUCTIONS



THIS MACHINE MUST BE GROUNDED WHILE IN USE TO PROTECT THE OPERATOR FROM ELECTRIC SHOCK.

1. This appliance must be connected to a grounded metal, permanent wiring system; or an equipment-grounding conductor must be run with the circuit conductors and connected to the equipment-grounding terminal or lead on the appliance.

LAGUNA

The installer, such as a qualified electrician, cut (or bend over) and insulate the grounding conductor from a field wiring supply cable.

In the event of certain types of malfunctions or breakdowns, grounding provides a path of least resistance for electric current—to reduce the risk of electric shock.

Improper connection of the equipment-grounding wire can result in a risk of electric shock. The wire with green insulation (with or without yellow stripes) is the equipment-grounding wire. If repair or replacement of the power cord or plug is necessary, do not connect the equipment-grounding wire to a live (current carrying) terminal.

Check with a qualified electrician or service personnel if you do not understand these grounding requirements, or if you are in doubt about whether the tool is properly grounded. If you ever notice that a cord or plug is damaged or worn, disconnect it from power, and immediately replace it with a new one.

Full Load amperage Draw

PFLUX2 (2HP/220V/60HZ/Single phase) Amp draw at 220V 14 Amps

PFLUX3 (3HP/220V/60HZ/Single phase) Amp draw at 220V 22 Amps

Power Supply Circuit Requirements

The power source circuit for your machine must be grounded and rated for the amperage given below. Never replace a circuit breaker on an existing circuit with one of higher amperage without consulting a qualified electrician to ensure compliance with wiring codes. **If you are unsure about the wiring codes in your area or plan to connect your machine to a shared circuit, consult a qualified electrician.**

PFLUX2 (2HP/220V/60HZ/Single phase) Circuit Size (220V).....20Amp minimum

PFLUX3 (3HP/220V/60HZ/Single phase) Circuit Size (220V).....30Amp minimum



IN ALL CASES, MAKE CERTAIN THE RECEPTACLE IN QUESTION IS PROPERLY GROUNDED. IF YOU ARE NOT SURE, HAVE A QUALIFIED ELECTRICIAN CHECK THE RECEPTACLE.

220 VOLT Single-Phase Operation

The motor supplied with your machine is a 220 Volt motor. It is shipped ready-to-run for 220 Volt operation. An (appx.) 8' cord is included; a "plug" is NOT included. A plug must be installed by a qualified technician.

FUNCTION

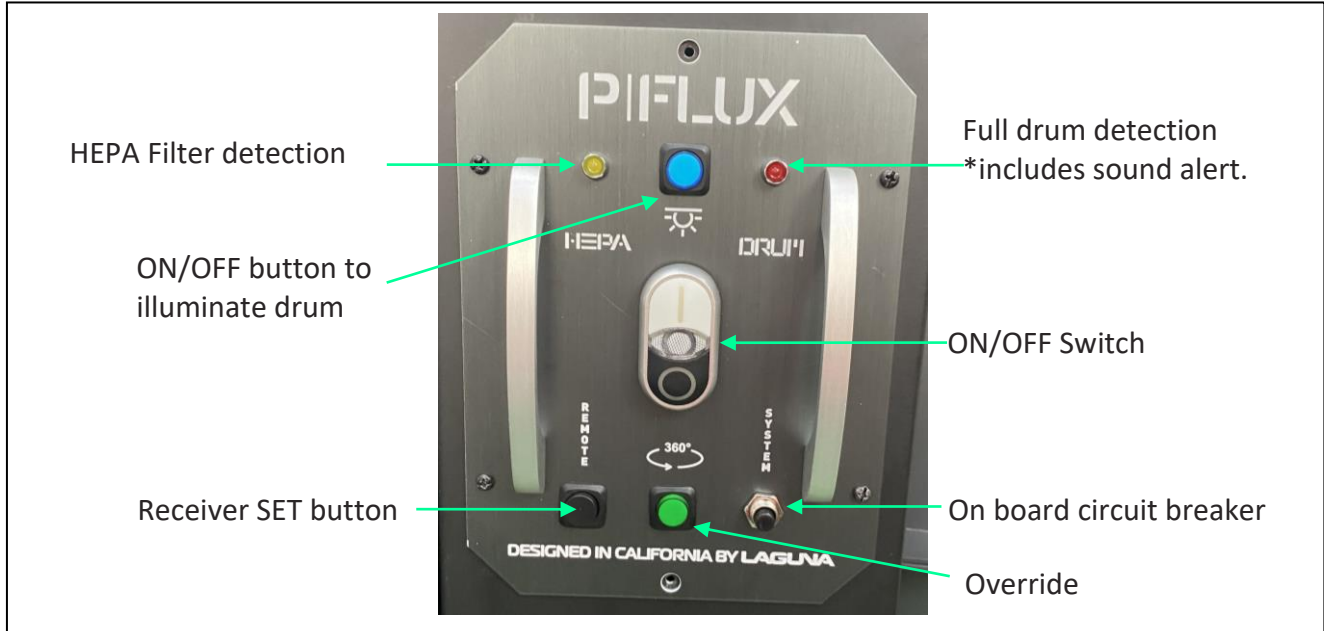


Figure 3: High Frequency Remote Control Receiver and Manual Switch

HEPA Filter detection – will illuminate when filter cleans (automatic cleaning/override)

Full drum detection – when drum is full, buzzer* will constantly sound off and light will illuminate.

*When the drum is close to 70%-80% full; intermittent buzzing will occur; this is a normal state.

ON/OFF Switch – turns cyclone **ON** or **OFF**.

On board circuit breaker – Pops out if machine overloads. Press to reset.

Override – Press for (3) seconds to activate override cleaning while the cyclone is ON. You can also activate this function by pressing the CLEAN button on the handheld remote for (3) seconds.

Receiver SET button – Used to program receiver.

ON/OFF Illuminate drum – controls the LED light on the drum lid to illuminate inside the drum for visuals of the dust level.

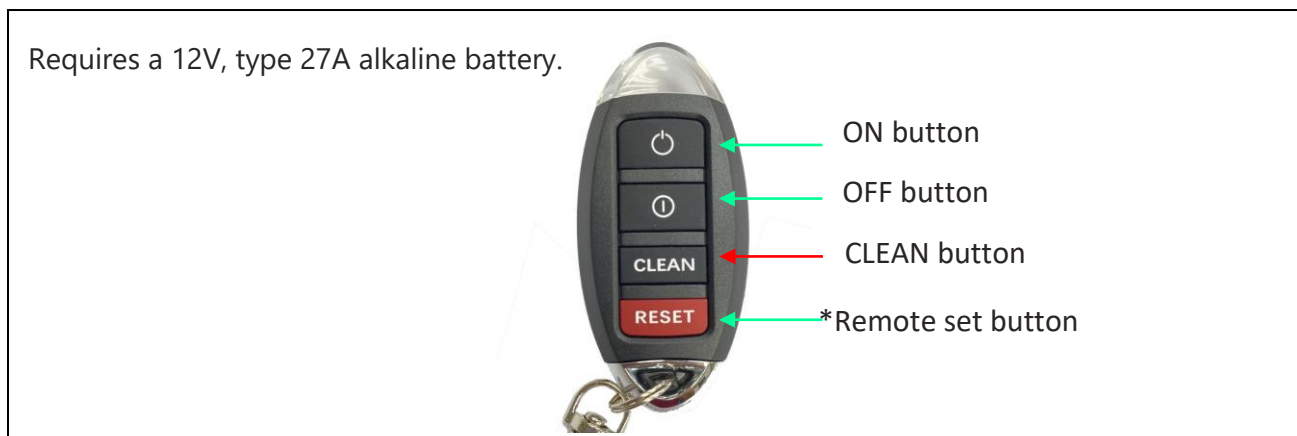


Figure 4: Handheld Remote

*Used to match up a new handheld control with the remote switch

PROGRAMMING THE REMOTE CONTROL

1. Confirm the machine is switched ON before programming the remote control.
2. Press the black set button on the bottom of the remote switch until you hear two beeps.
3. Press the Remote set button on your handheld controller simultaneously with the black button until you hear three beeps to complete the set up.



Figure 5: Receiver Set Button

MULTIPLE HANDHELD REMOTE CONTROL SETUP

You can pair up to five (max.) handheld remotes. Each handheld remote needs to be set up individually following the programming steps above. If you set up a sixth handheld remote, it will override the first handheld remote. If a seventh handheld remote is setup, it will override the second handheld remote. And so on.

LAGUNA

UNPACKING

The Mobile Dust Cyclone comes packed in a single box. Before attempting to assemble this machine, follow these directions for unpacking:

1. Carefully cut the banding straps and remove them from the box.
2. Cut along the tape line at the top of the box.
3. Remove all parts from the top of the foam and set aside.
4. Remove the foam packing material from the top of the machine and **set aside** for further use, during assembly.
5. Cut the cardboard box (top to bottom) in the four corners for easy removal of the box.
6. Carefully take out the machine components from the box and set aside.
7. Using the diagram below, ensure that all parts are present and in good condition.



DESCRIPTION (QUANTITY) Figure 6:

- | | |
|--|---|
| A. Motor | Q. Drum lid |
| B. Remote controller + Manual | R. Foot pedal bar |
| C. Dust chute | S. Filter end cap with 4" suction port |
| D. Canister shield (front and back) | T. Octagon drum base panel |
| E. Top upright supports (3) | U. Lower upright supports (3) |
| F. Canister cover plate | V. Drum side plate (left and right) |
| G. Drum insert (4) | W. Upright support reinforcement plate (3) |
| H. HEPA Canister filter | X. Foot pedal bar (left and right) |
| I. Filter rotation shaft | Y. Foot pedal assembly fittings |
| J. Filter cleaning arm (2) | Y1. Lower triangular support plate (2) |
| K. Crossbar | Y2. Foot pedal bar support (2) |
| L. Collection bag for drum (3) | Y3. Lower support plate (2) |
| M. Cyclone funnel | Z. Intake Reducer (8" by 6") PFLUX2 only |
| N. Cyclone barrel | AA. Intake adapter (6" by 4" x 2 ports) PFLUX2 only |
| O. Intake cylinder | AB. Intake adapter (8" by 4" x 3 ports) PFLUX3 only |
| P. Octagon drum (front and back panel) | AC. Autoclean plate |
| | AD. Hardware box |



Report any missing or damaged parts to your dealer or distributor. Prior to tool assembly and use, read this manual thoroughly to familiarize yourself with proper assembly, maintenance, and safety procedures.

ASSEMBLY



This step requires two adults. This Mobile Dust Cyclone is heavy, be careful when lifting and handling it! Failure to comply may cause serious injury and/or damage to the machine and/or property!

Tools/items Required:

10mm wrench / 12mm wrench / 14mm wrench

Phillips screwdriver

4mm hex wrench / 5mm hex wrench

Plug for cord, 3 wire

To assemble your dust cyclone, follow these steps:

For your own safety, do not connect the machine to the power source until the machine is completely assembled. Please also make sure that you read and understand the entire instruction manual.

ASSEMBLY TIME ESTIMATE 5 to 6 hours

Visit the Laguna Tools Video page for setup assistance.

LAGUNA



1. Remove (2) 5/16" x 5/8" hex bolts on the motor plate (shown by red arrow). Install (2) 5/16" eye bolts (not supplied) on the motor plate. With the help of another person, lift the upper cyclone assembly using a forklift. Make sure to hold the opposite side of the dust chute to prevent swaying while lifting the assembly up.



2. Remove the base which has been bolted to the (3) top upright supports. Keep the (6) 3/8"x3/4" hex bolts and (6) 3/8" flat washers for assembling the lower supports to the base. Keep the upper assembly lifted for step 5.

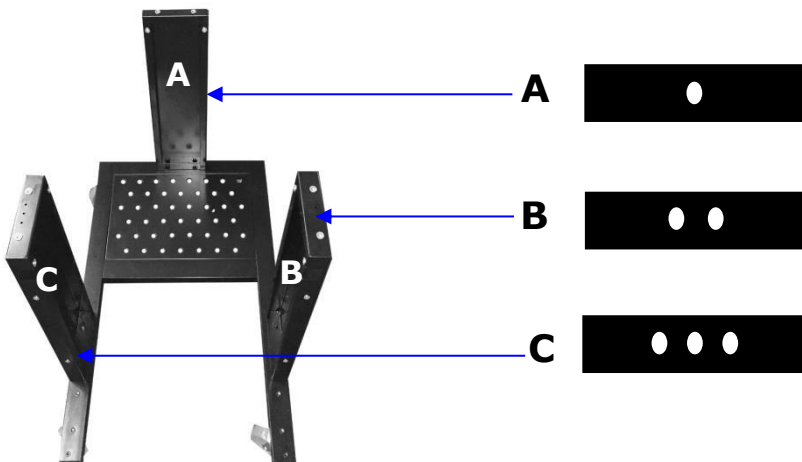
Swivel caster



Swivel caster
With brakes



3. Turn base upside-down. Use (16) 5/16" x 3/4" hex bolts and (16) 5/16" flat washers. Attach the (2) 4" casters with brakes to the base. The casters with brakes should be attached to the side with the opening. The remaining (2) 4" swivel casters must attach to the other side of the base.



4. Turn the base over with it standing on the (4) 4" casters and secure the three lower upright support panels using (6) 3/8" x 3/4" hex bolts and (6) 3/8" x 7/8" flat washers.

A – shown with one dot is located on the canister side.

B – shown with two dots is located on the front side.

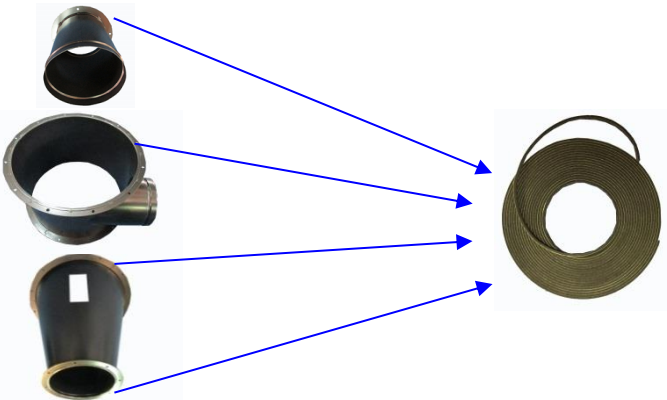
C – shown with three dots is located on the opposite end.



5. With the help of another person carefully lift the upper cyclone assembly high enough to place on stands that you have completed in steps 3 and 4. Take note on precisely positioning the upper cyclone assembly onto the three lower upright supports. Using (6) 5/16" x 3/4" hex bolts and (6) 5/16" flat washers connect and secure the upper and lower upright supports. *The forklift is no longer required for the next steps.



6. Secure the (3) upright support reinforcement plates using (12) 5/16" x 3/4" hex bolts and (12) 5/16" x 1" flat washers.

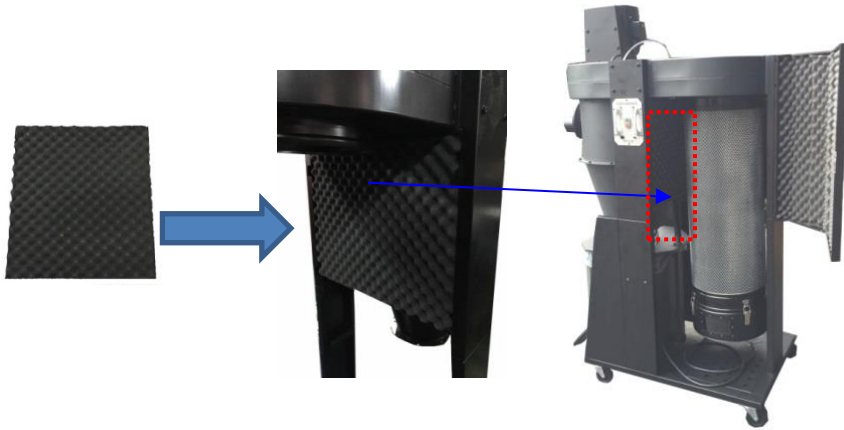


7. Take the intake cylinder, cyclone barrel and cyclone funnel and install 3 x 6mm foam tape to the rims on each location shown.

- Top rim of the intake cylinder
- Top rim of the cyclone barrel
- Top and lower rim of cyclone funnel



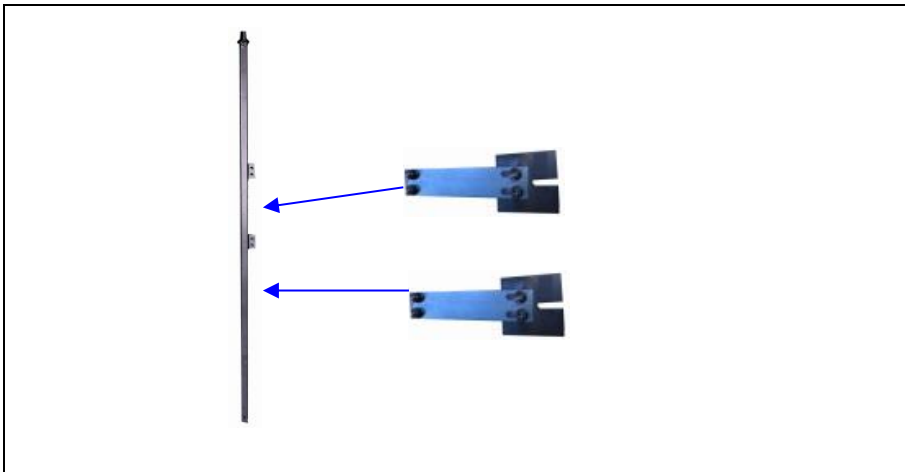
8. Attach the intake cylinder to the dust chute using (4) 5/16"x5/8" hex spring bolts. Then, attach the cyclone barrel onto the dust chute using (12) 5/16"x3/4" hex bolts and (12) 5/16"x18x2mm flat washers followed by attaching the cyclone funnel to the barrel using (12) 5/16"x3/4" hex bolts, (24) 5/16"x18x2mm flat washers and (12) 5/16" hex nuts.



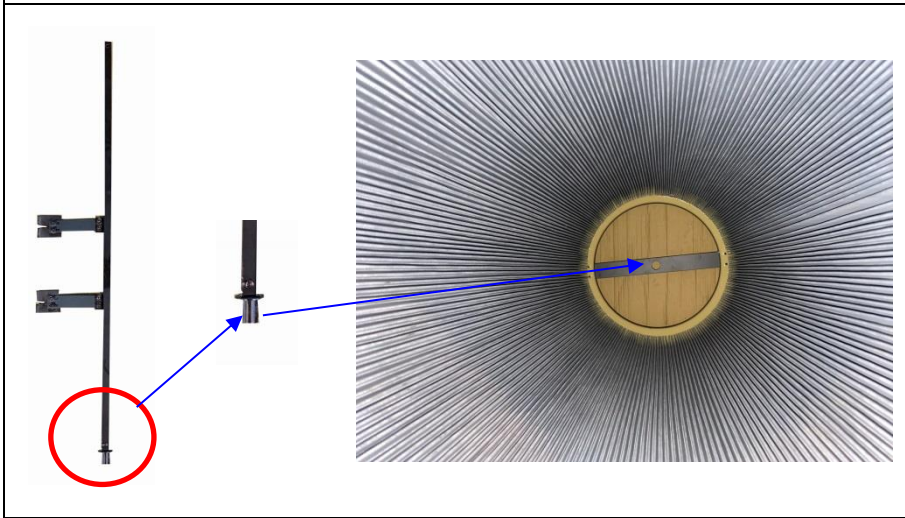
9. Secure the side canister filter shield (I) in place using (4) 1/4"x3/4" hex bolts and (4) 1/4"x19x2mm flat washers.



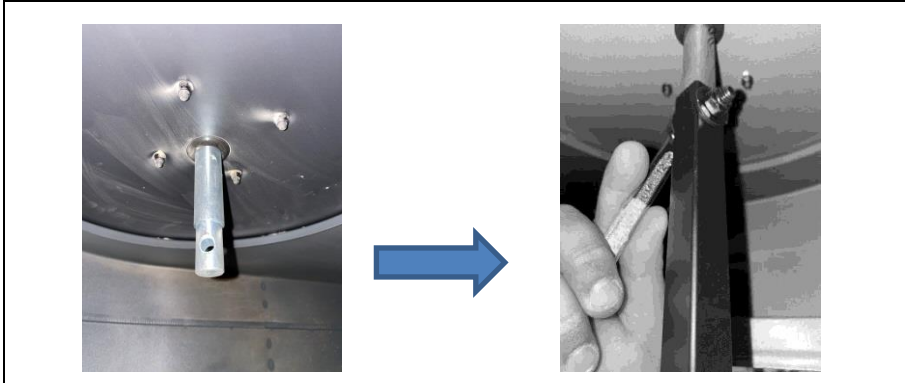
10. Attach the auto clean plate to the dust chute using (12) 3/16"x1/2" sheet metal bolts



11. Take the (2) filter cleaning arms and assemble to the filter rotation shaft using (4) 1/4"x5/8" hex bolts, (8) 1/4" flat washers, and (4) 1/4" hex nuts



12. Insert the filter rotation shaft assembly into the HEPA filter from the top opening. It will be easier to insert while holding it at an angle. The rotation shaft has a top and bottom end. The top end has bolt holes for the next step.



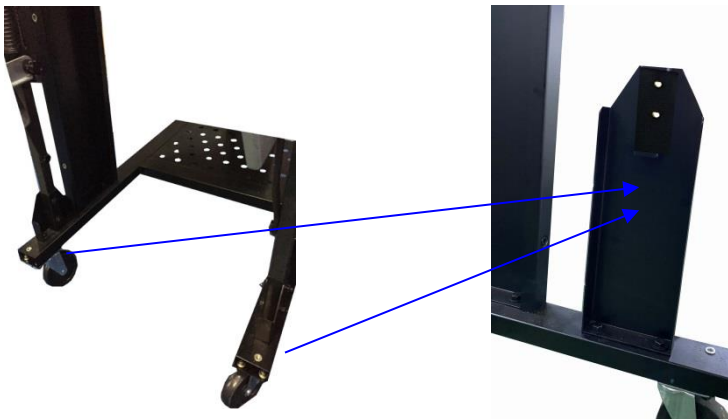
13. Move HEPA filter assembly under the dust chute, and with the help of another person holding the HEPA filter, secure the top end of the rotation shaft to the cleaning spindle inside the dust chute using (1) 5/16" x 1-1/2" hex bolt, (2) 5/16" x 18 x 2mm flat washers and (1) 5/16" lock nut.



14. Open the canister filter shield and secure the HEPA canister filter onto the dust chute by fastening the band clamp on the top part of the HEPA canister filter. Make sure the band clamp is tightly fastened. It does not matter which side the clamp faces.



15. Attach the canister filter end cap to the canister filter using the (4) latches. Cover the 4" hook up with the 4" rubber plug.



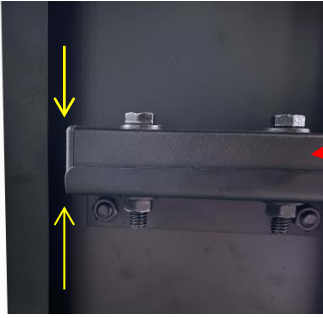
16. Secure the lower triangular support plate to the base using (2) 5/16"x3/4" hex bolts and (2) 5/16"x18x2mm flat washers. Follow the same steps for the opposite side.



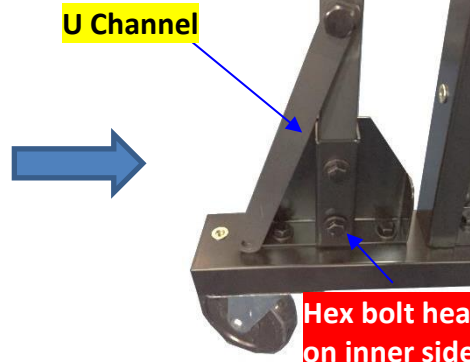
17. Locate the two-foot pedal bars provided. There is a left side and right side. To identify the correct side, look for the protruding nut, circled in red below. It should be facing upwards when you place the bars on the floor.



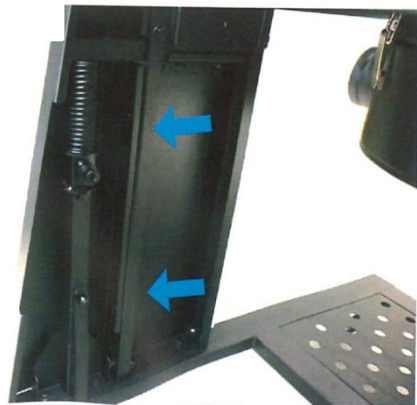
18. Ensure that the foot pedal bar is the correct side and slide the Foot pedal bar into the opening on the lower upright support panel. Make sure the end of the bar is on the inside of the triangular support plate. Follow the same steps for the opposite side.



19. Secure the top end of the foot pedal bar to support bracket using (4) 5/16"x1-3/4" hex bolts, (8) 5/16"x18x2mm flat washers and (4) 5/16" hex nuts. Make sure the foot pedal bar is pushed all the way to the end of the support bracket (indicated by yellow arrows). Follow the same steps for the opposite side.




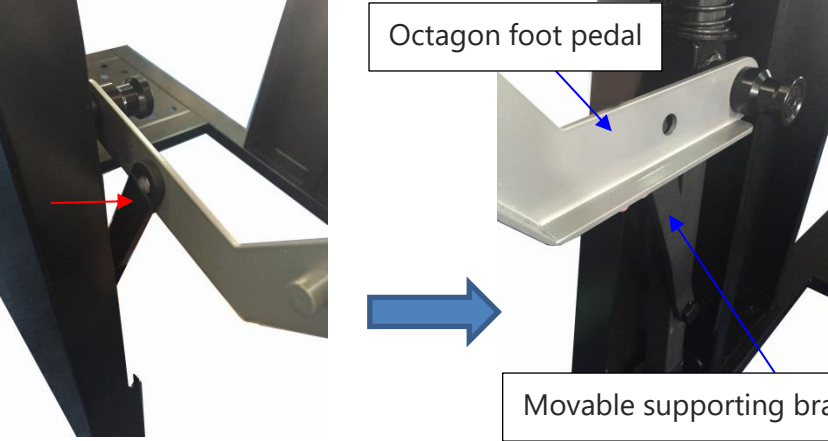
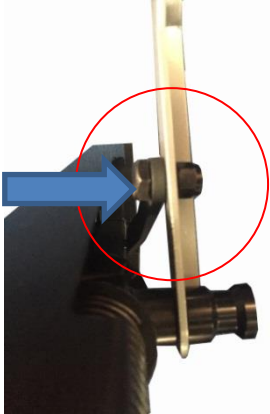

20. Secure the base of the foot pedal bar to the triangular support plate by holding the lower support plate vertically up against the foot pedal bar and securing the U channel provided onto the foot pedal bar using (2) 5/16"x1-3/4" hex bolts, (4) 5/16"x18x2mm flat washers and (2) 5/16" hex nuts from the inside out. Follow the same steps for the opposite side.


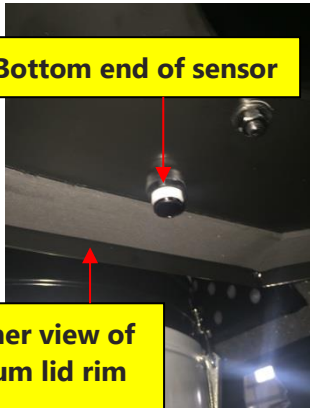




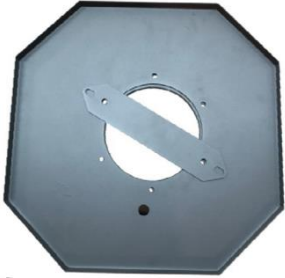





21. Attach the cover plate over the foot pedal assembly. Secure using (6) 1/4"x3/4" hex bolts and (6) 1/4"x19x2mm flat washers. Follow the same steps for the opposite side.



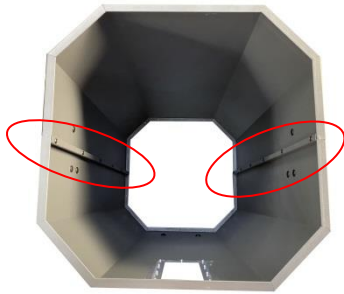
22. Attach the two ends of the Octagon foot pedal to the nut on the foot pedal bar.

	<p>23. Secure the topping to the nut on the foot peddle bar using (1) M8x30mm hex bolt. Follow this step on the opposite side.</p>
 <p>Octagon foot pedal</p> <p>Movable supporting brace</p>	<p>24. Secure the movable supporting brace on the foot pedal bar with the octagon foot pedal using (2) 3/8"x21mm hex bolts. Make sure the bolt head is on the inside of the octagon foot pedal. Adjust the tightness of this bolt accordingly. If this bolt is too tight, the Octagon foot pedal will not work smoothly. When too loose it will not pick up the Octagon drum.</p>
	<p>25. Secure the movable supporting brace on the foot pedal bar with the octagon foot pedal using (2) 3/8"x21mm hex bolts. Make sure the bolt head is on the inside of the octagon foot peddle. Adjust the tightness of this bolt accordingly. If this bolt is too tight, the Octagon foot pedal will not work smoothly. When too loose it will not pick up the Octagon drum.</p>
 <div data-bbox="555 1458 983 1615" style="background-color: yellow; border: 1px solid black; padding: 5px;"> <p>You will find a tag on the cone with the following warning. Take note and remove tag when you have completed this step.</p> </div> <div data-bbox="580 1621 938 1977" style="border: 2px solid red; padding: 10px; margin-top: 10px;"> <p style="text-align: center;">○</p> <p style="text-align: center;">ATTENTION!</p> <p>Do not tighten the 6 X bolts that mounts to cone flange to top of drum lid until you have perfectly aligned the drum lid up parallel to the uprights. This ingenious design allows you to swivel the drum lid about 30 degrees +/- Failure to do so will make the drum unable to fit in space between vertical uprights.</p> </div>	<p>26. Apply foam tape to the cone flange before attaching the drum lid. Secure the Octagon drum lid to the cyclone funnel using (6) 5/16" x 3/4" hex bolts, (12) 5/16" x 1" flat washers and (6) 5/16" hex nuts. Make sure to first attach all the bolts before tightening. NOTE: The lid will turn when the bolts have not been tightened for alignment. Failure to do will result in the drum lid not being able to align with the drum.</p>

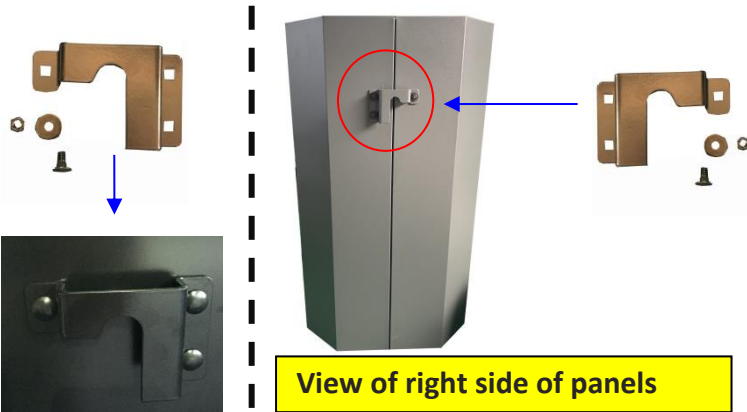
 	<p>27. Attach the full drum detection sensor to the opening on the drum lid located behind the cyclone funnel. When securing the sensor make sure the end of the sensor is no longer than the drum lid rim. If it extends beyond the rim, detection will not function correctly.</p>
 	<p>28. Attach the LED light to the drum lid using (6) M4x10mm Philip HD Bolt, (6) 3/16" flat washers and (6) M4 hex nuts.</p>
  	<p>29. Attach the crossbar to the drum lid and tighten using the two bolts removed in the previous step. It does not matter which position you attach the crossbar.</p>
  	<p>30. Assemble the Octagon drum. Locate the drum base panel, (it does not matter which side faces inside) and secure the (4) casters using (16) 5/16" x 3/4" hex bolts, (32) 5/16" x 1" flat washers and (16) 5/16" hex nuts.</p>



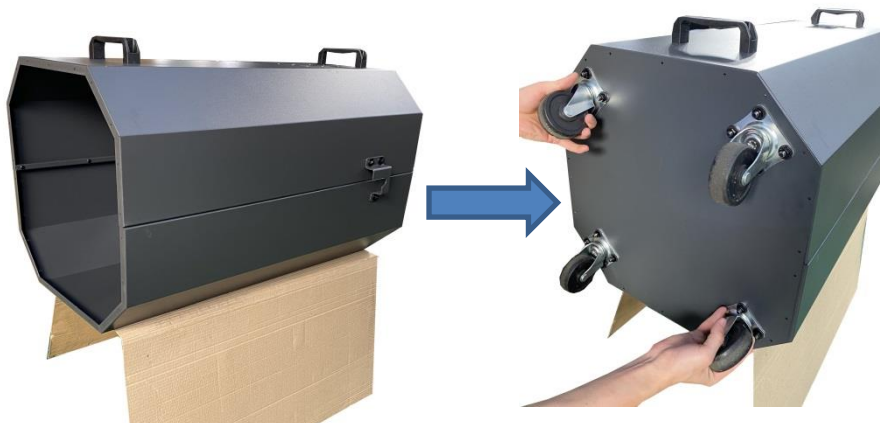
31. Attach the handles to the top and bottom end on the front panel with the window display using (4) flat head Philip bolt, (4) 5/16" x 7/8" flat washers and (4) 5/16" hex nuts. Note that the head of the Philips bolt must be inserted from the handle with the hex nut and washer on the inside of the drum.




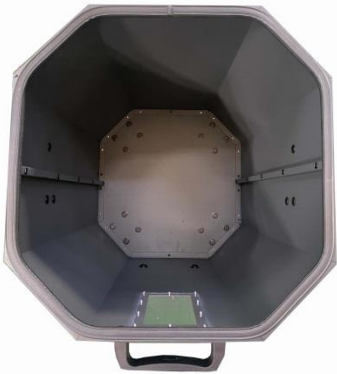

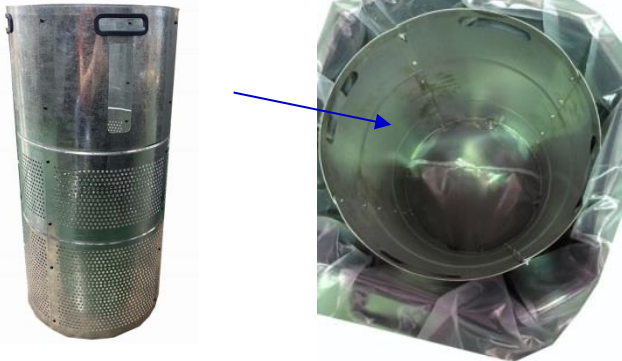
32. Take the Octagon drum front and back panels and assemble by securing with (12) M4 x 12mm sheet metal screws.



33. One the left and right side you will find three bolt holes. Take the matching side plate and secure to the outside of the panel using (6) 1/4" x 1/2" carriage bolts, (6) 1/4" x 1" flat washers and (6) 1/4" hex nuts. Insert the head of the carriage bolt from the inside of the drum with the washers and nuts on the outside of the drum.

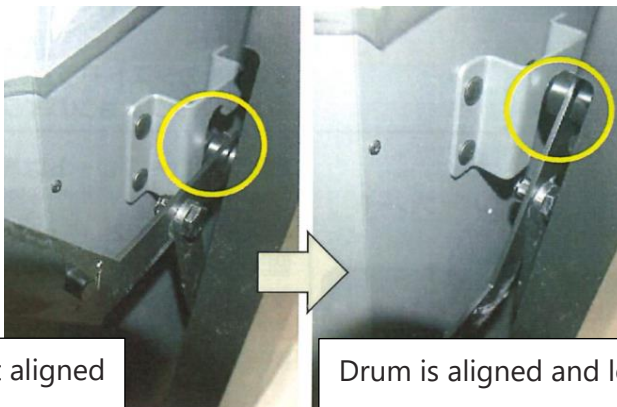


34. Lay the drum on its side with the handle facing up. With the help of another person, hold the base panel with wheels up against the base of the drum. Using (22) M3 x 6mm Truss head Philips flat point screws and M3 cap nuts secure and fasten tightly. Make sure the head of the truss head Philip screw is on the inside of the drum. The cap nut is secured from the outside.

<p>Silicone</p> 	<p>DO NOT SKIP THIS STEP!</p> <p>35. Once completing the assembly, keep the drum laying on its side to apply silicone to the inside of the drum including the base and the top rim of the drum before the rubber seal has been attached to seal and prevent air leakages. You will need to use a caulking gun (not supplied).</p>
<p>Rubber gasket</p> 	<p>36. Attach the rubber gasket to the top inner edges of the Octagon drum. The wider end of the gasket goes up. Use tin snips to trim any excess rubber gasket after completing the seal.</p>
	<p>37. Insert the plastic debris collection bag inside the Octagon drum. Open and spread out the plastic bag to the corners and edges</p>
<p>Drum insert</p> 	<p>38. Use (24) Round HD Philip bolts 3/16"x1/2" and (24) Cap nut 3/16" to assemble the drum insert together. Place the drum insert inside over the plastic bag in the Octagon drum.</p>



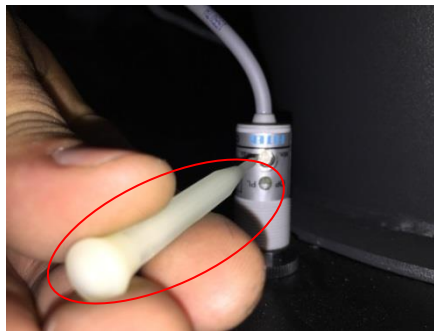
39. Lift the foot pedal bar. Align the Octagon drum window to the center point of the drum lid and push the drum in. Lower the foot pedal bar to seal the drum tight for normal machine operation.



Drum not aligned

Drum is aligned and locked

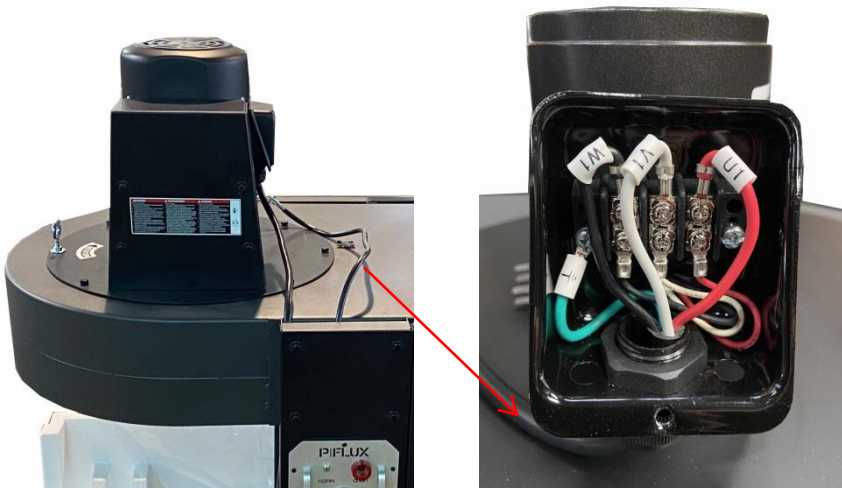
40. Make sure when aligning the drum that both the left and right-side lift plates are over the topping on the foot pedal bar assembly before lifting the foot pedal bar up. When not aligned, the drum will not be fully sealed and will interfere with the air flow.



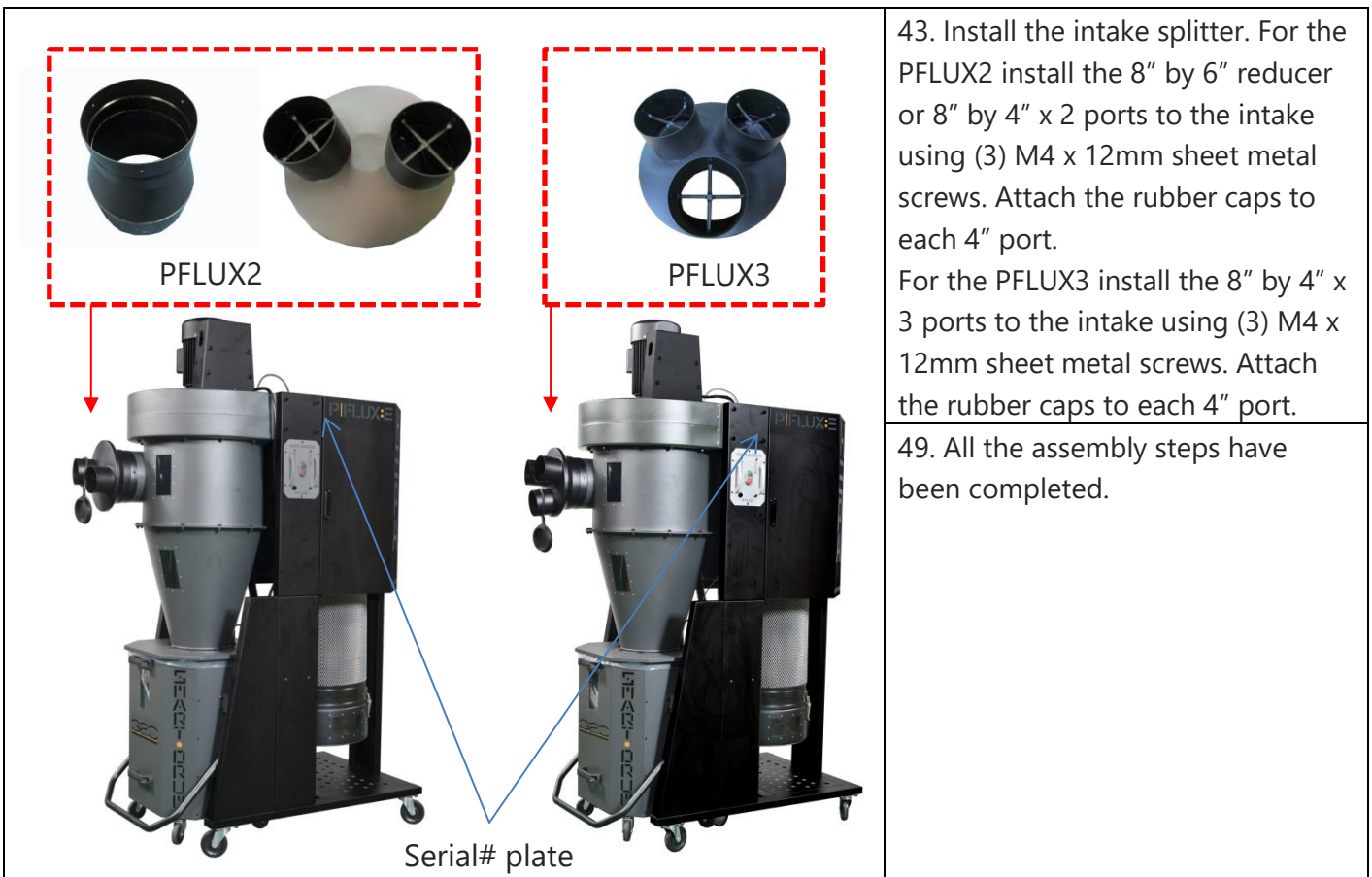
41. Using the white plastic pin, insert the sharp point into the top end of the proximity sensor that is on top of the drum lid. You will find a small hole to on top where you can turn clockwise or counterclockwise.

✳Clockwise: Lower dust waste level in drum (Less full drum)

✳Counterclockwise: Higher dust waste level in drum (Fuller drum)



42. A qualified electrician must open the junction box on the auto clean motor and remove the strain relief at the bottom. Take the second motor cord leading from the top upright support with the control panel and insert into the strain relief, connect the wires according to the wiring diagrams on page 10 & 11. Close and secure the junction box after completing the wiring.



43. Install the intake splitter. For the PFLUX2 install the 8" by 6" reducer or 8" by 4" x 2 ports to the intake using (3) M4 x 12mm sheet metal screws. Attach the rubber caps to each 4" port.

For the PFLUX3 install the 8" by 4" x 3 ports to the intake using (3) M4 x 12mm sheet metal screws. Attach the rubber caps to each 4" port.

49. All the assembly steps have been completed.

POWER SUPPLY

Power Supply Circuit Requirements

The power source circuit for your machine must be grounded and rated for the amperage given below. Never replace a circuit breaker on an existing circuit with one of higher amperage without consulting a qualified electrician to ensure compliance with wiring codes. **If you are unsure about the wiring codes in your area or plan to connect your machine to a shared circuit, consult a qualified electrician.**

PFLUX2 (2HP/220V/60HZ/Single phase) Circuit Size (220V).....20Amp minimum

PFLUX3 (3HP/220V/60HZ/Single phase) Circuit Size (220V).....30Amp minimum

⚠ DANGER

IN ALL CASES, MAKE CERTAIN THE RECEPTACLE IN QUESTION IS PROPERLY GROUNDED. IF YOU ARE NOT SURE, HAVE A QUALIFIED ELECTRICIAN CHECK THE RECEPTACLE.

220 VOLT Single-Phase Operation

The motor supplied with your machine is a 220 Volt motor. It is shipped ready-to-run for 220 Volt operation.

NOTE: An (appx.) 8' cord is included and can be used for 220 Volt operation. A "plug" is NOT included and must be installed by a qualified technician.

OPERATION

1. Make sure at least one blast gate is open, if connected to a dust collection system with blast gates.

CAUTION

Never operate dust collector with all blast gates closed!

2. Confirm the electrical supply is correct and connected to machine.
3. Make sure no one is working on or doing maintenance to dust collector.
4. To start, press the ON button on either the ON/OFF switch or remote control.
5. To stop, press the OFF button on either the ON/OFF switch or remote control.

MAINTENANCE

CLEANING THE FILTER

The PFLUX2 and PFLUX3 is equipped with auto clean; every 10 minutes for 10 seconds one direction and another 10 seconds the other direction. The cleaning will continue for one cycle (10 seconds clockwise, 10 seconds counterclockwise after the machine is turned OFF. While the canister is cleaning the yellow LED light on the control panel will illuminate indicating it is in the process of cleaning.

There is a HEPA filter replacement indicator, which is the same yellow LED light as the cleaning light. This is based on a timer system and when 2000 hours of operation is reached, the light will flash in one long, two short intervals indicating the HEPA filter should be replaced.

Pressing the REMOTE button five times will reset the flashing light.

To ensure proper operation of this Mobile Dust Cyclone, the HEPA canister filter must have adequate air flow. This means the filter must be regularly maintained by carefully blowing the filter clean using compressed air and an air gun to release built-up particulates trapped between the filter pleats.

CAUTION

DISCONNECT MACHINE FROM POWER!

For heavy duty users, it is recommended to use compressed air on a weekly basis to maintain maximum filtration efficiency and longer life span of the filter.

1. Keep the cyclone switched ON and operating, open both sides of the Canister filter shield doors. Connect the 4" flex hose from the cyclone to the 4" hook up on the canister end cap.



Figure 7: Cleaning Filter

2. While the cyclone is collecting the dust from inside the canister end cap, use compressed air and an air gun and blow the outer surface of the canister.
3. After cleaning the filter with the compressed air gun, follow the steps in the next section to remove the end cap to empty out any dust left inside.

EMPTYING THE CANISTER END CAP

Periodically check the canister end cap, if it is more than one third full, it is recommended that you empty it.

NOTE: If the canister end cap gets too full, the dust particulates may be recirculated back into the canister filter obstructing air flow and exposing the user to potentially harmful particulates.

1. Release the (4) latches around the canister end cap to remove it.
2. Empty the end cap and reattach using the latches.

EMPTYING THE DRUM

Periodically inspect the contents of the drum and empty as needed. To inspect the contents of the drum:

1. Raise the drum foot pedal bar to lower the drum to the floor.
2. Roll it away from the machine, inspect and empty as needed.

HEPA FILTER REPLACEMENT

To maintain safe, clean air quality, the HEPA filter should be replaced after 2000 hours of operation (e.g., 8 hours/day x 250 days = 2,000 hours). Contact your dealer or Laguna Tools for a replacement HEPA filter. If your model has a "change filter indicator light" it will flash at 2,000 hours. Replace HEPA filter. To reset flashing light, press the "Remote" button on the Control Panel 5 times.



DISCONNECT MACHINE FROM POWER!

REMOVING THE CANISTER FILTER

1. Release the spring-loaded band clamp at the bottom of the canister filter and remove the plastic bag.



Figure 8: Releasing filter clamp

2. While supporting the canister filter assembly from the bottom, release the spring-loaded band clamp from the top of the canister filter assembly.



Figure 9: Hold canister from bottom when releasing clamp

3. Remove the (4) 3/16" x 3/4" sheet metal Philips bolts, (1) 5/16" x 3/4" hex bolt and (1) 5/16" x 7/8" flat washer off the bottom of the canister filter.
4. Remove the canister filter and carefully tilt the top of the canister filter assembly to clear the paddle branches. Slightly bend the paddle branches to remove the canister filter.

NOTE: You may have to gently bend the paddles to free the canister filter. This should not adversely affect the operation of the machine.

- With the canister filter removed use a compressed air gun to thoroughly clean between the pleats, both inside and outside.

RE-ASSEMBLING THE CANISTER FILTER AFTER CLEANING

- With the aid of another person, carefully re-insert the canister filter repeating step 1,2,3 and 4 in reverse.

ROUTINE INSPECTION

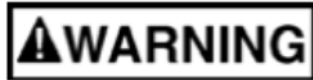
It is a good idea to routinely inspect any quality woodworking tool to keep it in optimum condition. This includes inspecting all hardware for tightness, ensuring the filter is clean, and cleaning debris and grime from any surfaces and moving parts.

TROUBLESHOOTING

Symptom	Possible Cause	Possible Solution
Machine does not start or a breaker trips.	Power supply switched OFF or is faulty.	Confirm power supply is ON and has the correct voltage.
	Wall fuse/circuit breaker is blown/tripped.	Ensure adequate circuit size; install inlet restrictor, replace weak breaker.
	Faulty remote control.	Replace batteries; ensure un-obstructed line-of-sight and signal range.
	Remote receiver is faulty.	Inspect receiver circuit board; replace if faulty.
	Incorrectly wired motor connection.	Rewire or call certified service technician or electrician.
	On-board circuit breaker is tripped.	Allow motor to cool, improve ventilation, press reset button.
	Wiring is open/has high resistance.	Check for broken wires or poor connections, repair as necessary.
	Faulty power switch.	Replace switch.
	Motor is at fault.	Test/repair/replace.

<p>Excessive vibration or noise during operation.</p>	<p>Loose component.</p> <p>Loose or broken motor mount.</p> <p>Motor fan hitting fan cover.</p> <p>Bad motor bearings.</p>	<p>Inspect and tighten all bolts/nuts.</p> <p>Tighten or replace as needed.</p> <p>Check fan and cover; replace as needed.</p> <p>Rotate shaft manually, check for grinding (noise) or loose shaft, replace bearings if needed.</p>
<p>Loud, repetitive noise, or excessive vibration coming from cyclone</p>	<p>Machine is on uneven surface.</p> <p>Damaged/Unbalanced impeller.</p> <p>Loose connections.</p> <p>Impeller is loose.</p> <p>Motor fan hitting fan cover.</p>	<p>Stabilize on a flat surface.</p> <p>Inspect impeller for dents, bends, loose fins. Replace if needed.</p> <p>Check and re-tighten all fasteners.</p> <p>Replace the motor and impeller.</p> <p>Check fan and cover; replace as needed.</p>
<p>Dust cyclone does not adequately collect dust or chips, poor performance.</p>	<p>Canister end cap is full.</p> <p>Filter is dirty.</p> <p>Restricted duct line.</p> <p>Suction route is too long or has too many sharp bends.</p> <p>Wet lumber is clogging ducts.</p> <p>Leaks in the duct work or too many open ports.</p> <p>Inadequate velocity in the main suction line.</p> <p>Wrong size ducting/ports used.</p>	<p>Empty canister end cap.</p> <p>Clean filter.</p> <p>Clean inlet splitter.</p> <p>Move machine closer to the point of suction, and rerun ducts to eliminate sharp bends.</p> <p>Use lumber with less than 20% moisture content.</p> <p>Repair all duct leaks and close any ports not being used.</p> <p>Increase velocity by opening 1 or 2 more blast gates to different branch lines.</p> <p>Re-size and re-install ducts and fittings.</p>

CIRCUIT BOARD RELACEMENT PFLUX 2 & PFLUX 3



READ AND UNDERSTAND ALL WARNINGS AND OPERATING INSTRUCTIONS BEFORE USING THIS EQUIPMENT. Failure to follow all instructions listed below, may result in electric shock, fire, and/or serious personal injury or property damage.

Before removing any parts, turn OFF the machine and remove the power source.

NOTE: The steps below changing from an earlier circuit board to a new second generation (V3) circuit board. The steps are the same if replacing a new (V3) circuit board with a new (V3) circuit board.

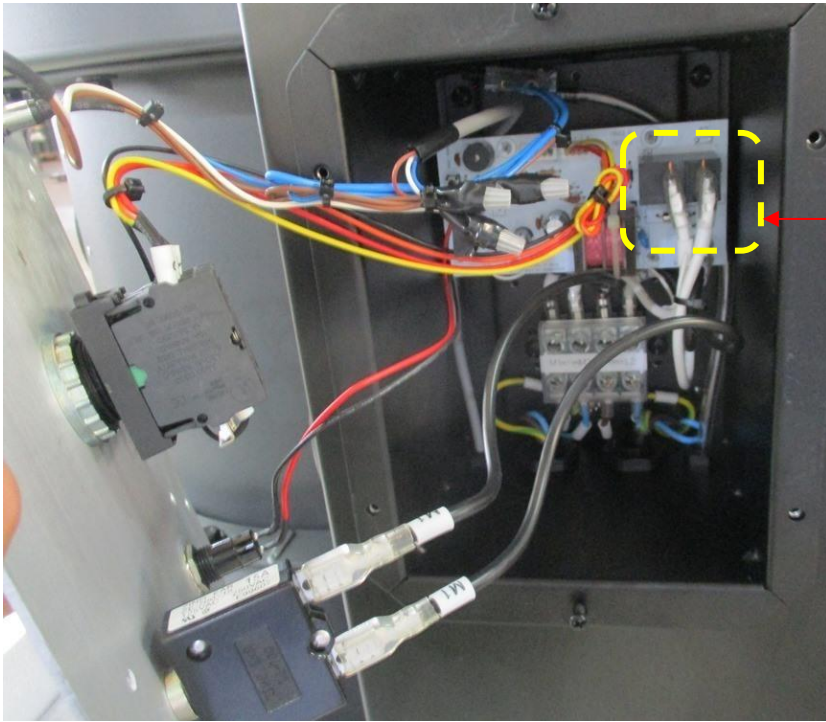
1. Remove the Control Panel Face from the Control Box by removing the screws from the panel.



Figure 10: Control Panel

NOTE: It may be helpful to take a picture of the circuit board with all of the electrical connections attached and use as a reference to the chart listing the new installation and connections.

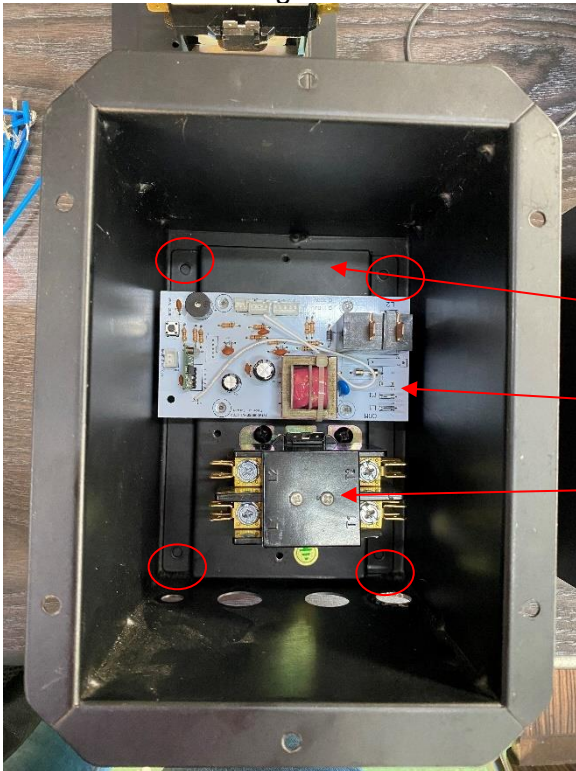
2. Remove all the electrical connectors from the circuit board. Pull each connector straight out using a pliers so as to not damage the connector, connection or wire.



Use pliers to carefully remove these two pins. The connectors may get damaged if pulled by force.

Figure 11: Control Box with cover removed

3. Remove the motor and power cord connectors on the Terminal Block.
4. Loosen the four bolts (circled in red, below) holding the (black) Mounting Plate to the Control Box. Remove the Mounting Plate with Circuit Board and Terminal Block from Control Box.



Mounting Plate
Circuit Board
Terminal Block

Figure 12: Control Box components

5. Remove the Terminal Block from the Mounting Plate by removing the two screws.
6. Attach the Terminal Block to the new Mounting Plate, using the same two screws.

- Install the new Mounting Plate (with new Circuit Board & Terminal Block attached) into the Control Box using the four screws from the previous installation.

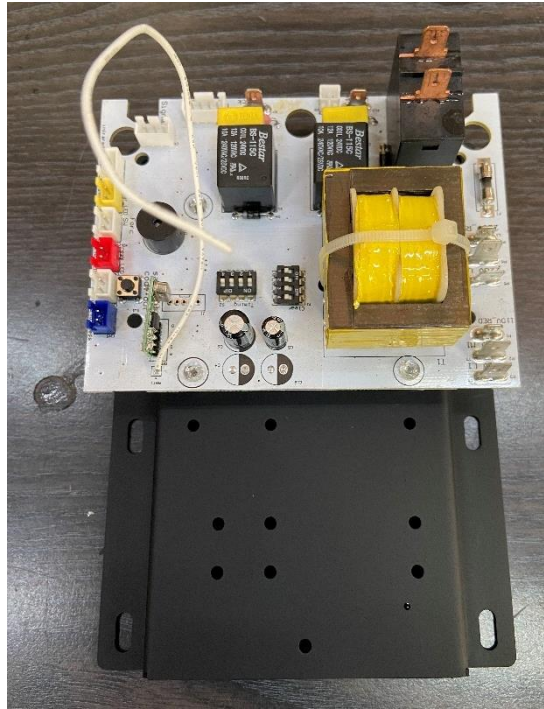


Figure 13: Circuit Board (New Gen 2, V3)

- Attach all connectors to Circuit Board according to wiring diagram and reference below. Re-connect power cord and motor cord to Terminal Block according to wiring diagram(s).

Old circuit board number		New circuit board number
CN2	CONNECT TO	CN4
CN1		CN1
CN3		CN3
M2		M2
L2		L2
M1		220V M1
L1		220V L1

OLD WIRING DIAGRAM

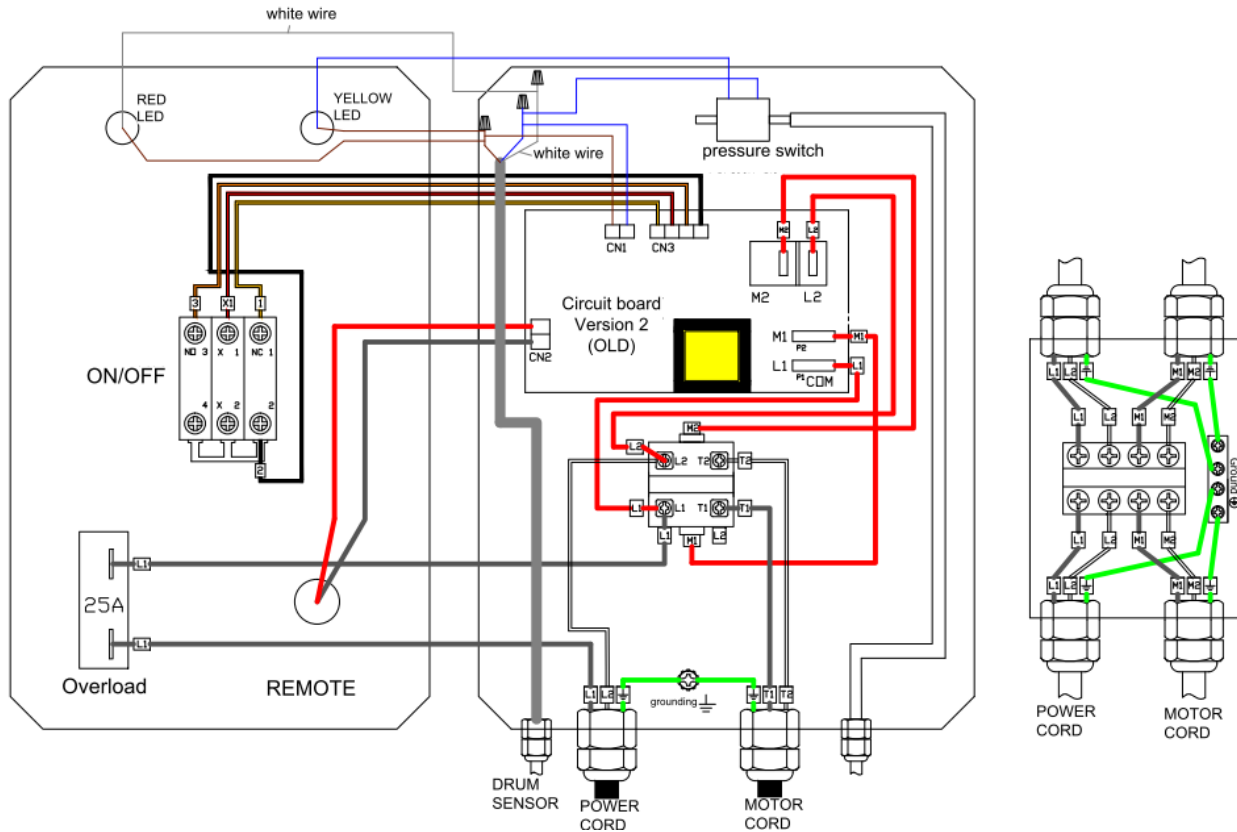


Figure 14: Wiring Diagram with earlier (Gen 1) circuit board
NEW WIRING DIAGRAM WITH OLD WIRE CONNECTIONS

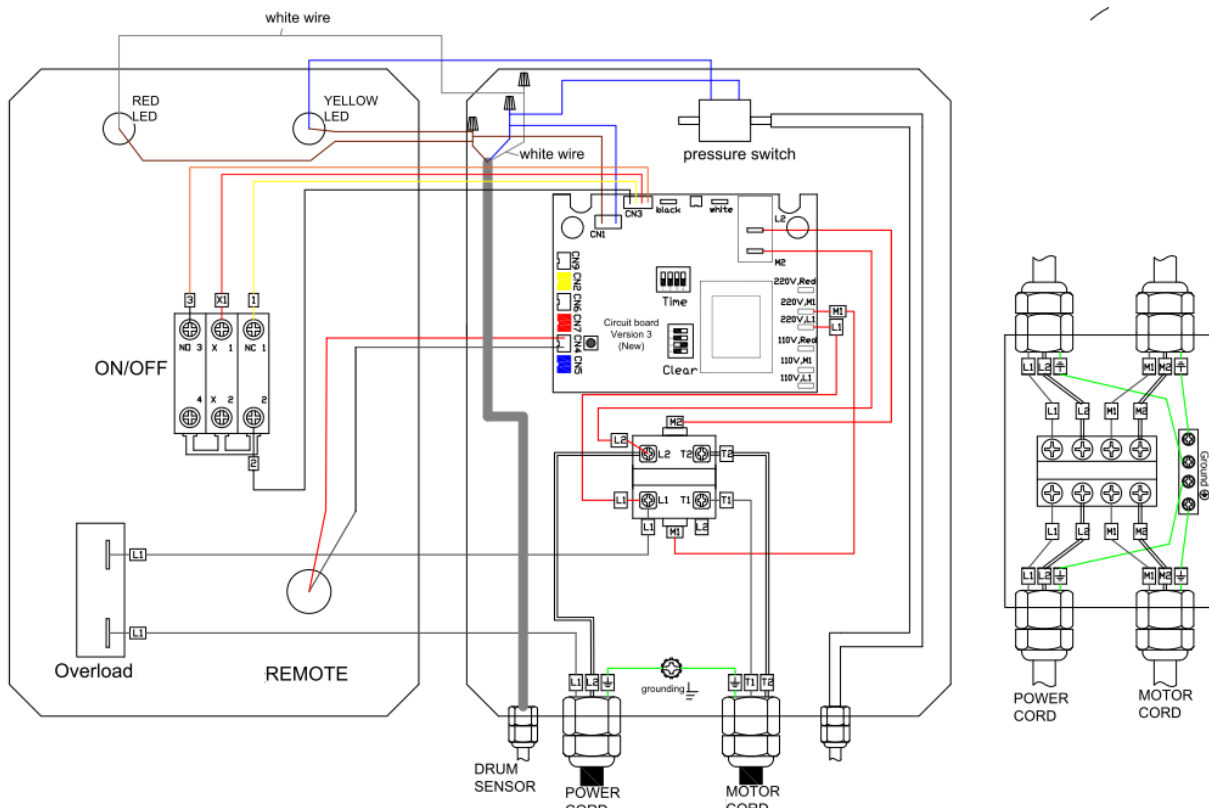
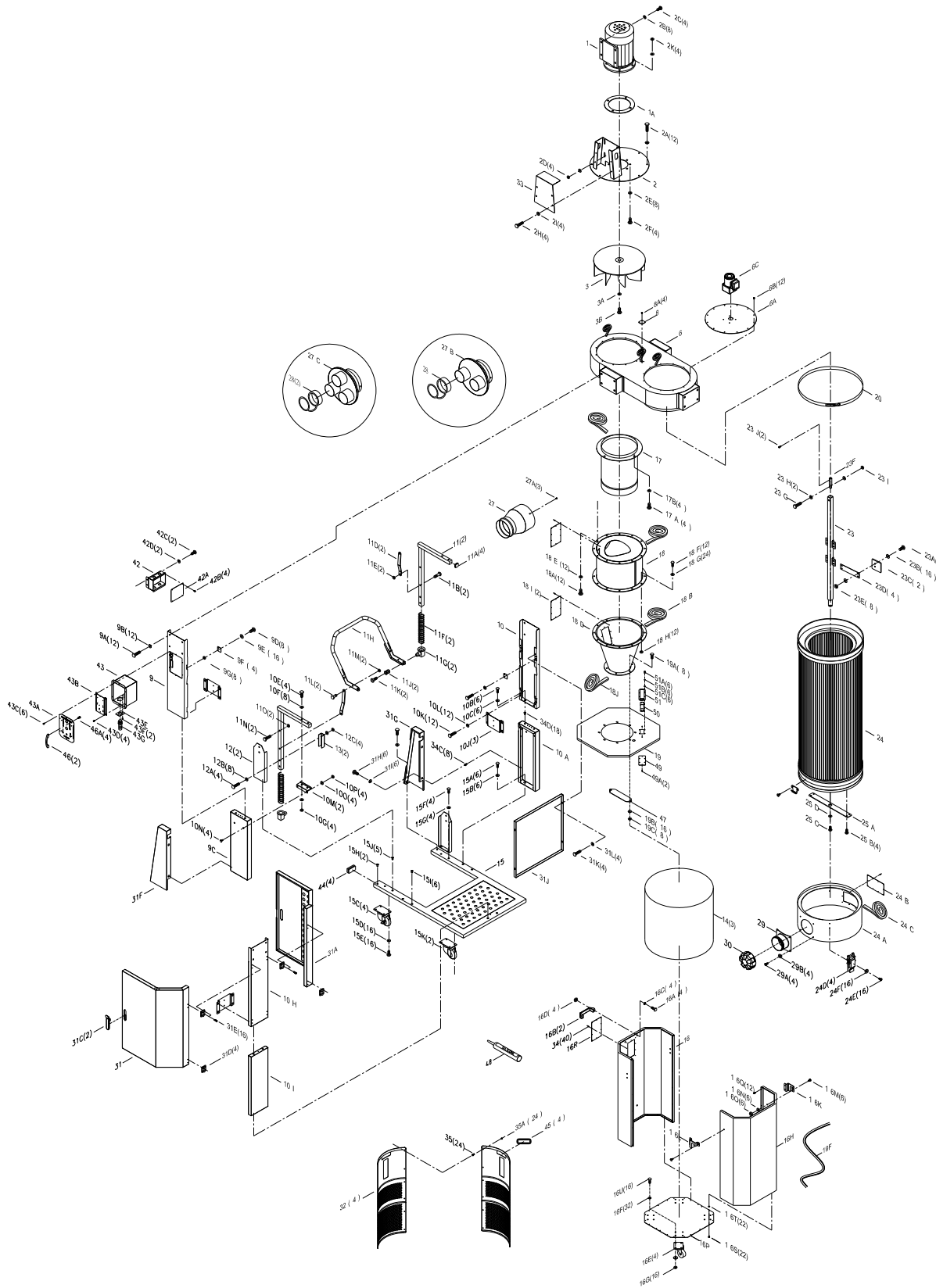
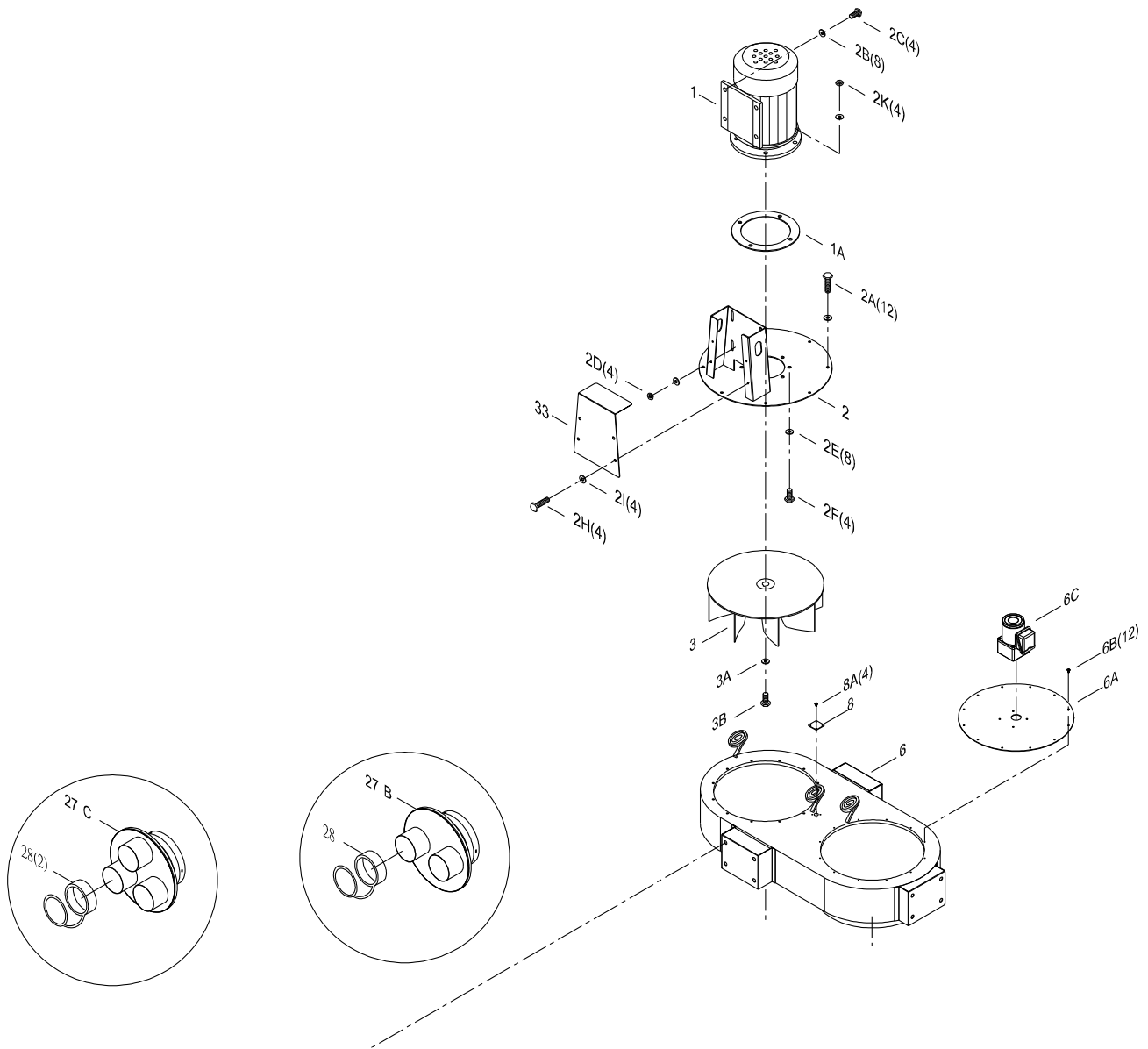


Figure 15: Wiring Diagram with new (Gen 2, V3) Circuit Board

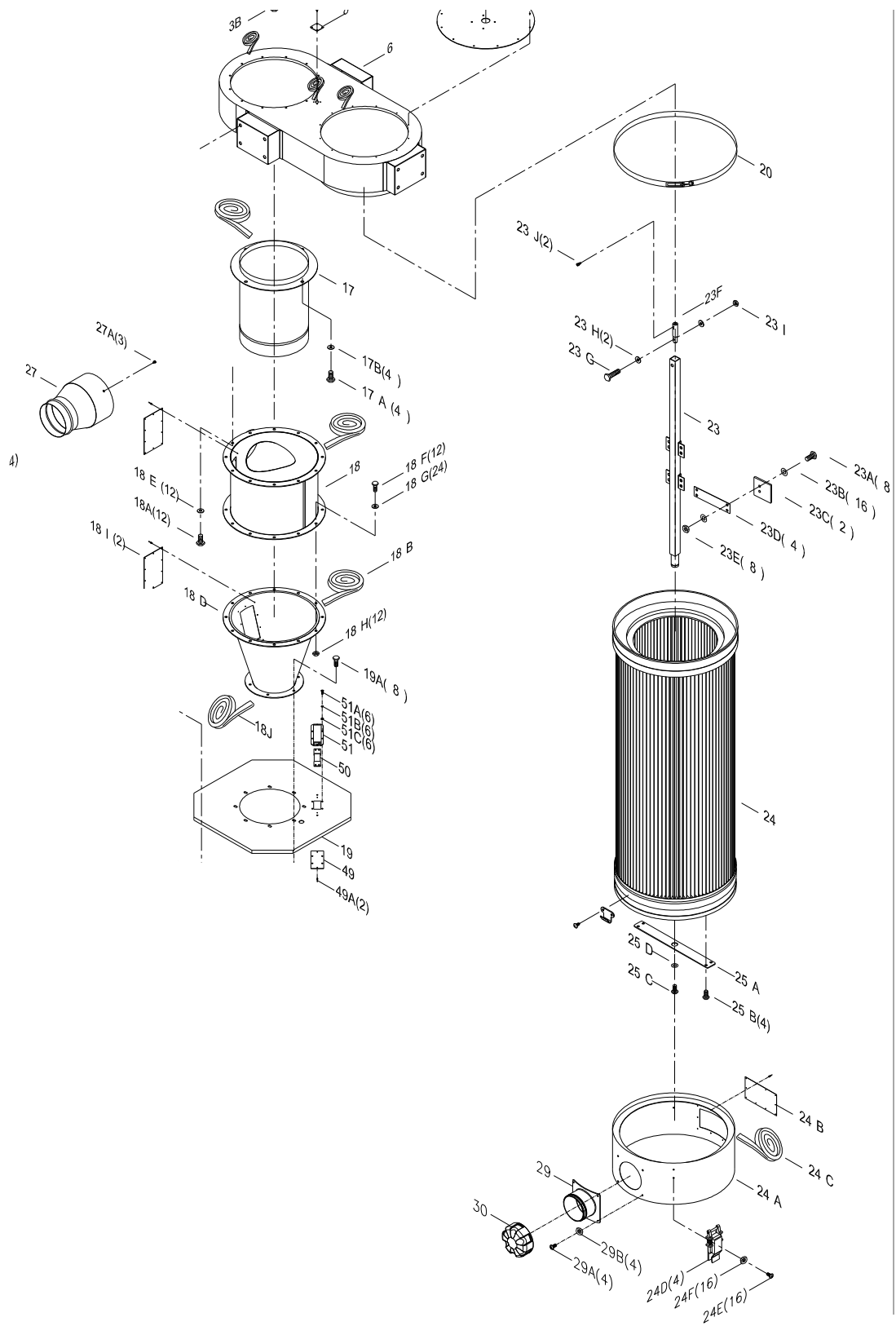
EXPLODED VIEWS & PARTS



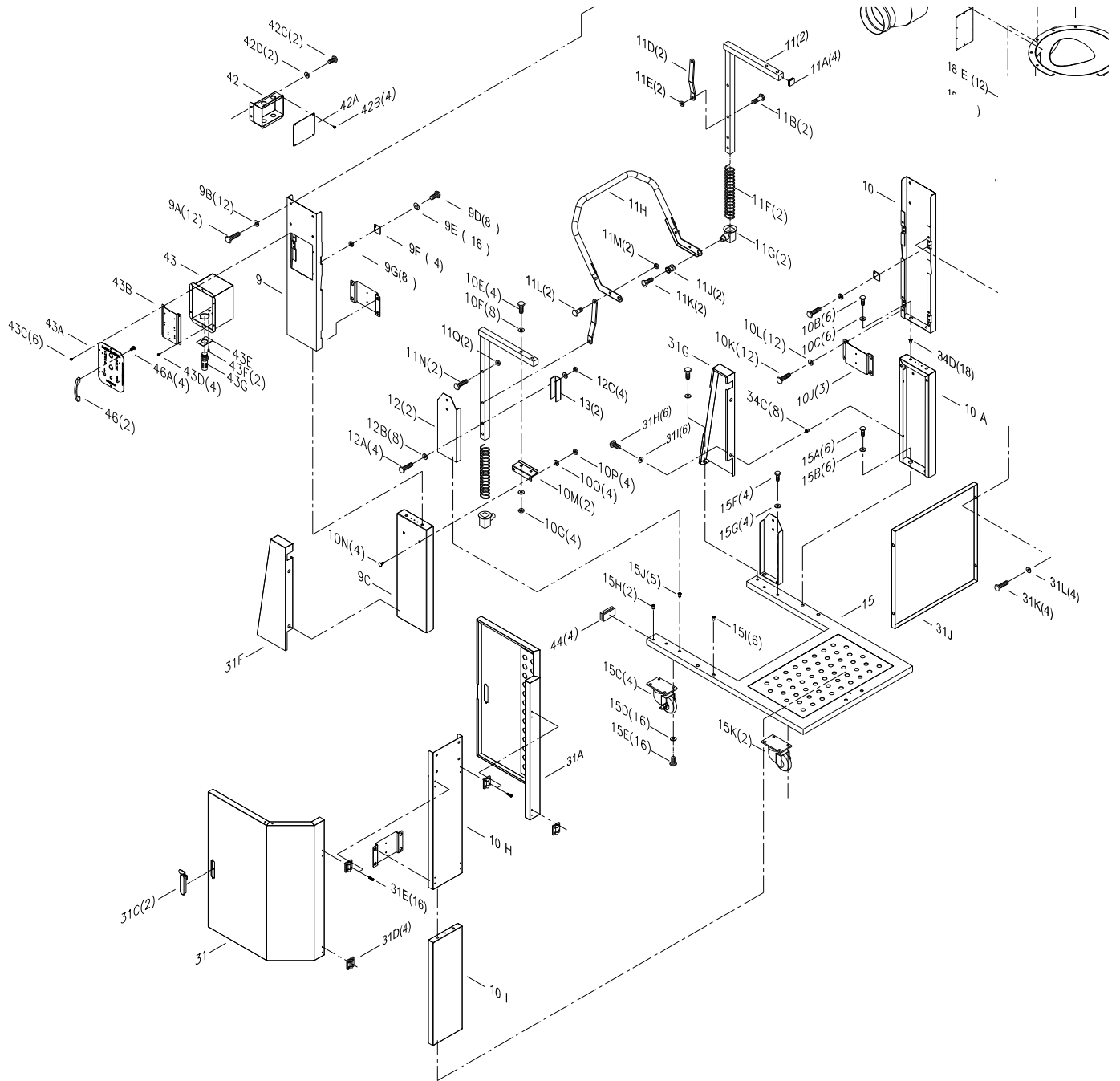
SECTION A
(Close up view)



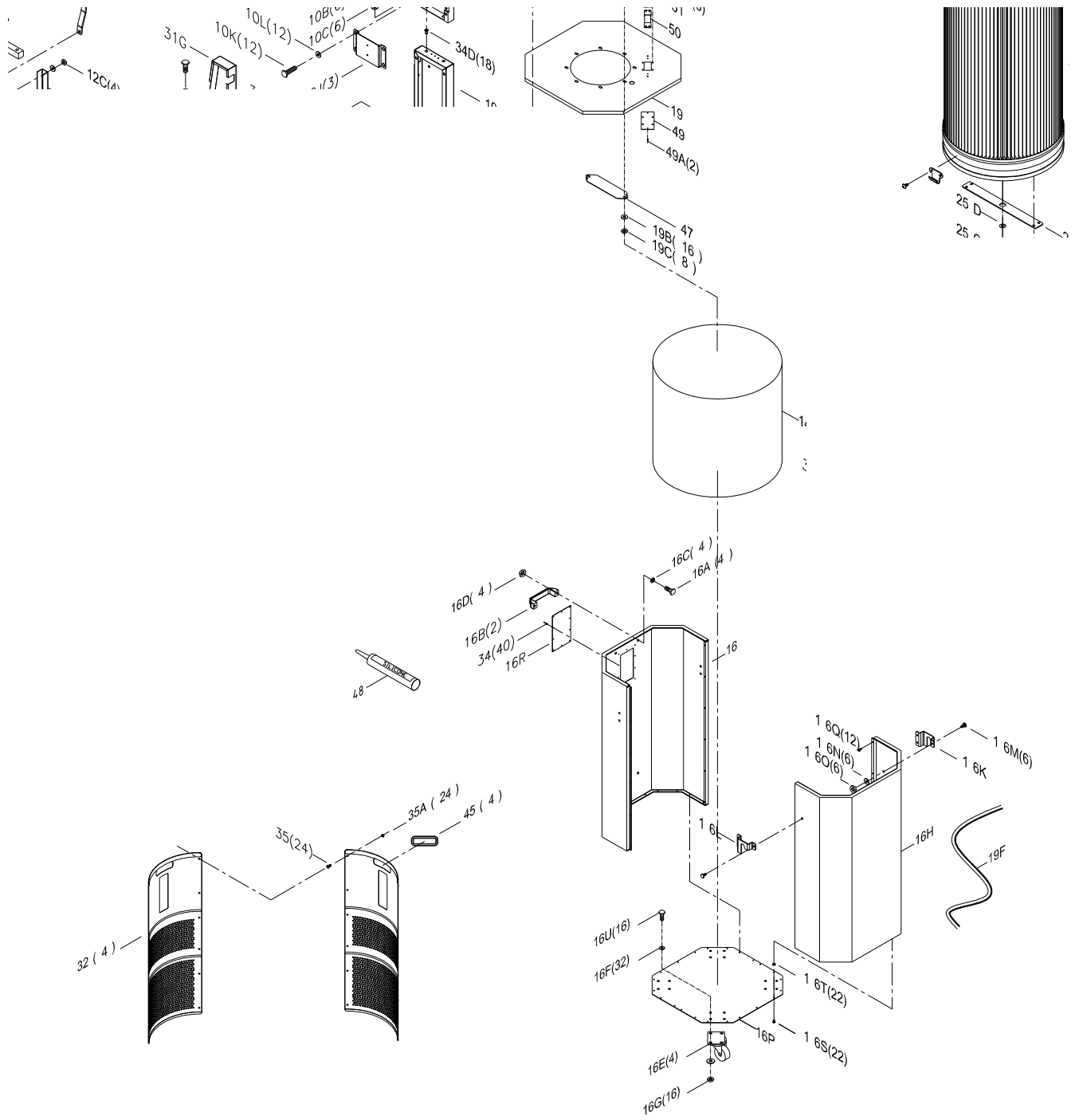
SECTION B
(Close up view)



SECTION C
(Close up view)



SECTION D
(Close up view)



LAGUNA

No	Part Number	Description	QTY	No	Part Number	Description	QTY
1	PDCPF22201-1	PFLUX2 MOTOR 2HP/220V/60H/1Ph	1	9C	PDCPF22201-9CV2	LOWER UPRIGHT SUPPORT TWO DOT (3B) V2.2021	1
1	PDCPF32201-1	PFLUX3 MOTOR 3HP/220V/60H/1Ph	1	9D	PDCPF22201-9D	HEX BOLT 1/4"x5/8"	8
1A	PDCPF22201-1A	MOTOR GASKET	1	9E	PDCPF22201-9E	FLAT WASHER 1/4"x13x1mm	16
2	PDCPF22201-2	MOTOR SUPPORT BASE	1	9F	PDCPF22201-9F	DOOR STOP PLATE	4
2A	PDCPF22201-2A	HEX LOCK BOLT 5/16" x 5/8"	12	9G	PDCPF22201-9G	HEX NUT 1/4"	8
2B	PDCPF22201-2B	FLAT WASHER 3/8"x23x2mm	8	10	PDCPF22201-10V2	TOP UPRIGHT SUPPORT A V2.2021	1
2C	PDCPF22201-2C	HEX BOLT 3/8" x 1"	4	10A	PDCPF22201-10AV2	LOWER UPRIGHT SUPPORT THREE DOT V2.2021	1
2D	PDCPF22201-2D	HEX NUT 3/8"	4	10B	PDCPF22201-10B	HEX BOLT 5/16" x 3/4"	6
2E	PDCPF22201-2E	FLAT WASHER 3/8"x23x2mm	8	10C	PDCPF22201-10C	FLAT WASHER 5/16"x18x2mm	6
2F	PDCPF22201-2F	HEX BOLT 3/8" x 1-1/4"	4	10E	PDCPF22201-10E	HEX BOLT 5/16" x 1-3/4"	4
2H	PDCPF22201-2H	HEX BOLT 1/4" x 3/4"	4	10F	PDCPF22201-10F	FLAT WASHER 5/16"x18x2mm	8
2I	PDCPF22201-2I	FLAT WASHER 1/4"x19x1mm	4	10G	PDCPF22201-10G	HEX NUT 5/16"	4
2K	PDCPF22201-2K	HEX LOCK NUT 3/8"	4	10H	PDCPF22201-10H	TOP UPRIGHT SUPPORT ONE DOT (1A)	1
3	PDCPF22201-3	FAN 14.5" (PFLUX2 ONLY)	1	10I	PDCPF22201-10IV2	LOWER UPRIGHT SUPPORT ONE DOT V2.2021	1
3	PDCPF32201-3	FFAN 15.5" (PFLUX3 ONLY)	1	10J	PDCPF22201-10J	UPRIGHT SUPPORT REINFORCEMENT PLATE	3
3A	PDCPF22201-3A	FLAT WASHER 3/8"x45x3mm	1	10K	PDCPF22201-10K	HEX BOLT 5/16" x 3/4"	12
3B	PDCPF22201-3B	HEX BOLT 3/8"x1"	1	10L	PDCPF22201-10L	FLAT WASHER 5/16"x18x2mm	12
6	PDCPF22201-6	DUST CHUTE	1	10 M	PDCPF22201-10M	FOOT PEDAL BAR SUPPORT	2
6A	PDCPF22201-6A	CANISTER COVER PLATE	1	10 N	PDCPF22201-10N	CARRIAGE BOLT 5/16"x1/2"	4
6B	PDCPF22201-6B	SHEET METAL THREAD BOLT 3/16" x 1/2"	12	10 O	PDCPF22201-10O	FLAT WASHER 5/16"x18x2mm	4
6C	PDCPF22201-6C	AUTO CLEAN MOTOR	1	10P	PDCPF22201-10P	HEX NUT 5/16"	4
8	PDCPF22201-8	COVER PLATE	1	11	PDCPF22201-11	FOOT PEDAL BAR	2
8A	PDCPF22201-8A	SHEET METAL THREAD BOLT M4x12mm	4	11A	PDCPF22201-11A	PLUG 25, 25	4
9	PDCPF22201-9V2	TOP UPRIGHT SUPPORT B V2.2021	1	11B	PDCPF22201-11B	HEX BOLT 3/8"	2
9A	PDCPF22201-9A	HEX BOLT 5/16" x 3/4"	12	11D	PDCPF22201-11D	MOVEABLE SUPPORT BRACE	2
9B	PDCPF22201-9B	FLAT WASHER 5/16"x18x2mm	12	11E	PDCPF22201-11E	HEX LOCK NUT 3/8"	2

LAGUNA

No	Part Number	Description	QTY	No	Part Number	Description	QTY
11F	PDCPF22201-11F	SPRING 42mm x 242mm	2	15K	PDCPF22201-15K	SWIVEL CASTER	2
11G	PDCPF22201-11G	SKID BLOCK	2	16	PDCPF22201-16V2	OCTAGON DRUM FRONT PANEL V2.2021	1
11H	PDCPF22201-11H	OCTAGON DRUM FOOT PEDAL	1	16A	PDCPF22201-16A	FLAT HEAD PHILIP BOLT 5/16"x3/4"	4
11J	PDCPF22201-11J	TOPPING 24mm x 30mm	2	16B	PDCPF22201-16B	HANDLE	2
11K	PDCPF22201-11K	HEX BOLT M8x30mm	2	16C	PDCPF22201-16C	FLAT WASHER 5/16"x23x2mm	4
11L	PDCPF22201-11L	HEX BOLT 3/8"	2	16D	PDCPF22201-16D	HEX NUT 5/16"	4
11M	PDCPF22201-11M	HEX LOCK NUT 3/8"	2	16E	PDCPF22201-16E	DRUM CASTER 3"	4
11N	PDCPF22201-11N	HEX BOLT 3/8" x 1-1/2"	2	16U	PDCPF22201-16U	HEX BOLT 5/16" x 3/4"	16
11O	PDCPF22201-11O	HEX LOCK NUT 3/8"	2	16F	PDCPF22201-16F	FLAT WASHER 5/16"x18x2mm	32
12	PDCPF22201-12V2	TRIANGULAR SUPPORT PLATE V2.2021	2	16G	PDCPF22201-16G	HEX NUT 5/16"	16
12A	PDCPF22201-12A	HEX BOLT 5/16" x 1-3/4"	4	16H	PDCPF22201-16HV2	OCTAGON DRUM BACK PANEL V2.2021	1
12B	PDCPF22201-12B	FLAT WASHER 5/16"x18x2mm	8	16K	PDCPF22201-16K	LEFT SIDE PLATE	1
12C	PDCPF22201-12C	HEX NUT 5/16"	4	16L	PDCPF22201-16L	RIGHT SIDE PLATE	1
13	PDCPF22201-13	LOWER SUPPORT PLATE	2	16M	PDCPF22201-16M	CARRIAGE BOLT 1/4" x 1/2"	6
14	PDCPF22201-14V2	PLASTIC BAG 610 x 1200mm	3	16N	PDCPF22201-16N	FLAT WASHER 1/4"x19x2mm	6
15	PDCPF22201-15	BASE	1	16O	PDCPF22201-16O	HEX NUT 1/4"	6
15A	PDCPF22201-15A	HEX BOLT 3/8" x 3/4"	6	16P	PDCPF22201-16PV2	OCTAGON DRUM BASE PANEL V2.2021	1
15B	PDCPF22201-15B	FLAT WASHER 3/8" x23x2mm	6	16R	PDCPF22201-16RV2	WINDOW V2.2021	1
15C	PDCPF22201-15C	SWIVEL CASTER 4" W/BRAKES	2	16S	PDCPF22201-16S	TRUSS HEAD PHILIPS FLAT POINT SCREWS M3 x 6mm	22
15D	PDCPF22201-15D	FLAT WASHER 5/16"x18x2mm	16	16T	PDCPF22201-16T	CAP NUT M3	22
15E	PDCPF22201-15E	HEX BOLT 5/16" x 3/4"	16	16Q	PDCPF22201-16Q	THREAD BOLT M4 x 12mm	12
15F	PDCPF22201-15F	HEX BOLT 5/16" x 3/4"	4	17	PDCPF22201-17	INTAKE CYLINDER	1
15G	PDCPF22201-15G	FLAT WASHER 5/16"x18x2mm	4	17A	PDCPF22201-17A	HEX BOLT 5/16" x 5/8"	4
15H	PDCPF22201-15H	RIVET NUT 1/4"	2	17B	PDCPF22201-17B	FLAT WASHER 5/16"x18x2mm	4
15I	PDCPF22201-15I	RIVET NUT 3/8"	6	18	PDCPF22201-18	CYCLONE BARREL	1
15J	PDCPF22201-15J	RIVET NUT 5/16"	5	18A	PDCPF22201-18A	HEX BOLT 5/16" x 3/4"	12

LAGUNA

No	Part Number	Description	QTY	No	Part Number	Description	QTY
18B	PDCPF22201-18B	FOAM TAPE 3 x 6mm x 10M	1	24B	PDCPF22201-24B	WINDOW	1
18D	PDCPF22201-18DV2	CYCLONE FUNNEL V2.2021	1	24C	PDCPF22201-24C	FOAM TAPE 5x20mm x1.5M	1
18E	PDCPF22201-18E	FLAT WASHER 5/16"x18x2mm	12	24D	PDCPF22201-24D	LATCH #98	4
18F	PDCPF22201-18F	HEX BOLT 5/16" x 3/4"	12	24E	PDCPF22201-24E	SHEET METAL BOLT 3/16"x3/8"	16
18G	PDCPF22201-18G	FLAT WASHER 5/16"x18x2mm	24	24F	PDCPF22201-24F	HEX NUT 3/16"	16
18H	PDCPF22201-18H	HEX NUT 5/16"	12	25A	PDCPF22201-25A	ROTATION SHAFT BASE	1
18I	PDCPF22201-18I	WINDOW	2	25B	PDCPF22201-25B	SHEET METAL PHILIP BOLT 3/16" x 3/4"	4
18J	PDCPF22201-18J	FOAM TAPE 3x15mm x 80CM	1	25C	PDCPF22201-25C	HEX BOLT 5/16" x 3/4"	1
19	PDCPF22201-19V2	OCTAGON DRUM LID V2.2021	1	25D	PDCPF22201-25D	FLAT WASHER 5/16" x 23 x 2mm	1
19A	PDCPF22201-19A	HEX BOLT 5/16" x 3/4"	8	27	PDCPF22201-27	REDUCER 8" BY 6"	1
19B	PDCPF22201-19B	FLAT WASHER 5/16"x18x2mm	16	27A	PDCPF22201-27A	SHEET METAL BOLT M4 x 12mm	3
19C	PDCPF22201-19C	HEX NUT 5/16"	8	27B	PDCPF22201-27B	INTAKE SPLITTER 8" x 4" X 2 PORTS	1
19F	PDCPF22201-19F	RUBBER GASKET 1650mm	1	27C	PDCPF32201-27C	INTAKE SPLITTER 8" x 4" X 3 PORTS	1
20	PDCPF22201-20	BAND CLAMP Ø400mm	1	28	PDCPF22201-28	RUBBER CAP 4"	1
23	PDCPF22201-23V2	ROTATION SHAFT V2.2021	1	29	PDCPF22201-29	PLASTIC BASE CONNETOR	1
23A	PDCPF22201-23A	HEX BOLT 1/4" x 5/8"	8	29A	PDCPF22201-29A	PH HD BOLT 3/16" x 3/8"	4
23B	PDCPF22201-23B	FLAT WASHER 1/4" x 13 x 1mm	16	29B	PDCPF22201-29B	HEX NUT 3/16"	4
23C	PDCPF22201-23C	PADDLE	2	30	PDCPF22201-30	PLASTIC CAP 4" FOR END CAP	1
23D	PDCPF22201-23D	PADDLE BRANCH	4	31	PDCPF22201-31	CANISTER FILTER SHIELD DOOR-1	1
23E	PDCPF22201-23E	HEX LOCK NUT 1/4"	8	31A	PDCPF22201-31A	CANISTER FILTER SHIELD DOOR-2	1
23F	PDCPF22201-23F	ROTATION SHAFT CONNECTION	1	31C	PDCPF22201-31C	DOOR HANDLE	2
23G	PDCPF22201-23G	HEX BOLT 5/16" x 1-1/2"	1	31D	PDCPF22201-31D	HINGE	4
23H	PDCPF22201-23H	FLAT WASHER 5/16"x18x2mm	2	31E	PDCPF22201-31E	HEX BOLT M5x10mm	16
23I	PDCPF22201-23I	HEX LOCK NUT 5/16"	1	31F	PDCPF22201-31FV2	COVER PLATE RIGHT V2.2021	1
24	PDCPF22201-24	HEPA FILTER 400mm x 900mm	1	31G	PDCPF22201-31GV2	COVER PLATE LEFT V2.2021	1
24A	PDCPF22201-24AV2	HEPA END CAP V2.2021	1	31H	PDCPF22201-31H	HEX BOLT 1/4"x3/4"	6

LAGUNA

No	Part Number	Description	QTY	No	Part Number	Description	QTY
31I	PDCPF22201-31I	FLAT WASHER 1/4"x19x1mm	6	43C	PDCPF22201-43C	ROUND HEAD BOLT M4x10mm	6
31J	PDCPF22201-31J	CANISTER FILTER SHIELD	1	43D	PDCPF22201-43D	PHILIP HD BOLT M4x6mm	4
31K	PDCPF22201-31K	HEX BOLT 1/4"x3/4"	4	43E	PDCPF22201-43E	BUZZER SUPPORT PLATE	1
31L	PDCPF22201-31L	FLAT WASHER 1/4"x19x1mm	4	43F	PDCPF22201-43F	PHILIP HD BOLT M4x6mm	2
32	PDCPF22201-32V2	DRUM INSERT V2. 2021	4	43G	PDCPF22201-43G	BUZZER/ALARM	1
33	PDCPF22201-33	MOTOR BASE COVER PLATE	1	44	PDCPF22201-44	PHILIPS HD BOLT M4x6mm	4
34	PDCPF22201-34	RIVET	40	45	PDCPF22201-45	RUBBER HANDLE FOR DRUM INSERT	4
34C	PDCPF22201-34C	RIVET NUT 1/4"	8	46	PDCPF22201-46	CONTROL PADLE HANDLE	2
34D	PDCPF22201-34D	RIVET NUT 5/16"	18	46A	PDCPF22201-46A	PHILIP HD BOLT M4x6mm	4
35	PDCPF22201-35	SHEET METAL BOLT 3/16"x1/2"	24	47	PDCPF22201-47	CROSSBAR	1
35A	PDCPF22201-35A	NUT 3/16"	24	48	PDCPF22201-48	SILICONE	1
42	PDCPF22201-42	JUNCTION BOX	1	49	PDCPF22201-49	LED WINDOW	1
42A	PDCPF22201-42A	JUNCTION BOX PLATE	1	49A	PDCPF22201-49A	RIVET 3-2	2
42B	PDCPF22201-42B	PHILIP HD BOLT M4x6mm	4	50	PDCPF22201-50	LED LIGHT	1
42C	PDCPF22201-42C	HEX BOLT 1/4"x3/4"	2	51	PDCPF22201-51	LED LIGHT COVER	1
42D	PDCPF22201-42D	FLAT WASHER 1/4"x19x2mm	2	51A	PDCPF22201-51A	PHILIP HD BOLT M4x10mm	6
43	PDCPF22201-43V2	CONTROL BOX V2.2021	1	51B	PDCPF22201-51B	FLAT WASHER 3/16"x12x1mm	6
43A	PDCPF22201-43AV2	CONTROL PANEL V2.2021	1	51C	PDCPF22201-51C	HEX NUT M4	6
43B	PDCPF22201-43BV2	CONTROL PANEL SUPPORT PLATE V2.2021	1	52	Circuit Board, Gen 2 (not shown)	PDCCFPF-ICV3	1

LAGUNA

SPECIFICATIONS

Model	PFLUX2	PFLUX3
Motor Specs:	2 HP	3 HP
Electrical Specs:	220V / 60Hz / 1PH / 3450 RPM	220V / 60Hz / 1PH / 3450 RPM
Running AMP	(6" inlet) 14A at 220V	(8" inlet) 22A at 220V
Air Volume:	1166 CFM (cubic feet per minute)	1624 CFM (cubic feet per minute)
Max. static pressure	9.3 Inches of water	11.2 Inches of water
Fan size	14.5"	15.5"
Inlet:	6"	8"
Switch	High frequency remote control switch	High frequency remote control switch
Collection capacity	33-gallon Octagon drum	33-gallon Octagon drum
Packing Size: (L x W x H)	49.6" x 30.3" x 49.2" (126 x 77 x 125 cm)	49.6" x 30.3" x 49.2" (126 x 77 x 125 cm)
Machine weight	340 lbs. (154 kgs)	351 lbs. (159 kgs)
Shipping weight	409 lbs. (185 kgs)	419 lbs. (190 kgs)

Filter Media	filtering area: 102 sq/ft (9.5 M2)
Cartridge Filter	Black HEPA 15.74" x 35.43" (Ø40 x 90cm) x 1pc

SUPPLIES:

Plastic debris collection bag for filter, 20-gallon SKU/Part # PDCCF-FB22

Plastic debris collection bag for drum SKU/Part # PDCCFPF-B74

LAGUNA

LAGUNA AMERICAN HEADQUARTERS

Texas: 744 Refuge Way Suite 200, Grand Prairie, Texas 75050, U.S.A. Phone: +1-800-332-4094

California: 7291 Heil Ave Huntington Beach, CA 92647, U.S.A. Phone: +1-949-474-1200

South Carolina: 825 Bistline Dr. Suite 101, West Columbia, SC 29172, U.S.A. Phone: +1-800-234-1976

Minnesota: 5250 West 74th St, Edina, MN 55439, U.S.A Phone: +1-949-474-1200

DAKE CORPORATION

724 Robbins Road, Grand Haven, MI 49417, United States +1-800-937-3253

LAGUNA EUROPE

Walker Rd, Bardonia Hill, Coalville LE67 1TU, United Kingdom. Phone: +44-1530-516921

© 2021 Laguna Tools

120221