

# LAGUNA®

## JX|8 Sheartec:II Jointer

Owner's Manual



For immediate service on any Laguna Tools products:  
**+1 (949) 474-1200**  
**customerservice@lagunatools.com**

Laguna Tools, Inc. LAGUNA® and the LAGUNA Logo® are the registered trademarks of Laguna Tools, Inc. All rights reserved. 04/01/2019



**LAGUNA AMERICAN HEADQUARTERS**

Texas: 744 Refuge Way Suite 200, Grand Prairie, Texas 75050, U.S.A. Phone:

+1-800-332-4094

Huntington Beach: 7291 Heil Ave Huntington Beach, CA 92647, U.S.A. Phone:

+1-949-474-1200

South Carolina: 825 Bistline Dr. Ste 101, West Columbia, SC 29172, U.S.A. Phone:

+1-800-234-1976

Minnesota: 5250 West 74th St, Edina, MN 55439, U.S.A Phone: +1-949-474-1200

lagunatools.com

supermaxtools.com

lagunacleanair.com

lagunalathe.com

**LAGUNA EUROPE**

Walker Rd, Bardon Hill, Coalville LE67 1TU, United Kingdom. Phone: +44-1530-516921

lagunatools.uk

**DAKE CORPORATION**

724 Robbins Road, Grand Haven, MI 49417, United States +1-800-937-3253

dakecorp.com





# CONTENTS

## JX|8 Sheartec:II Jointer

Safety.....	4
Electrical Safety.....	8
Specifications .....	12
Machine Overview .....	13
Setup .....	14
Placement & Unboxing .....	14
Inventory List .....	16
Assembling .....	17
Operation.....	20
Maintenance.....	23
Troubleshooting .....	32
Wiring .....	33
JX8 Sheartec:II Parts .....	35
Warranty .....	44

# Safety

Read and understand all warnings and operation instructions before using any tool or equipment. Always follow basic safety precautions to reduce the risk of personal injury. Improper operation, maintenance or modification of tools or equipment could result in serious injury and property damage. There are certain applications for which tools and equipment are designed. This product should NOT be modified and/or used for any application other than for which it was designed.

It is important for you to read and understand this manual. The information it contains relates to protecting your safety and preventing problems.

## Safety Call-outs

**⚠ DANGER!**

A POTENTIALLY HAZARDOUS SITUATION WHICH, IF NOT AVOIDED, COULD RESULT IN DEATH OR SERIOUS INJURY.  
SOMETIMES DISPLAYED AS **⚠ DANGER!**

**⚠ WARNING**

A POTENTIALLY HAZARDOUS SITUATION WHICH, IF NOT AVOIDED, COULD RESULT IN DEATH OR SERIOUS INJURY.  
SOMETIMES DISPLAYED AS **⚠ WARNING!**











**⚠ CAUTION!**

A POTENTIALLY HAZARDOUS SITUATION WHICH, IF NOT AVOIDED, MAY RESULT IN MINOR OR MODERATE INJURY.  
SOMETIMES DISPLAYED AS **⚠ CAUTION!**

**NOTICE!**

A HELPFUL TIP FROM OUR TECHNICAL STAFF. SOMETIMES DISPLAYED AS NOTICE!

## Safety Symbols

- |   |  |   |                          |
|---|--|---|--------------------------|
|  | Disconnect from power before proceeding. |  | Wear ear protection.     |
|  | Be aware of possible laceration danger.  |  | Wear Eye Protection.     |
|  | Be aware of possible crushing danger.    |  | Wear a full face shield. |
|  | Be aware of possible crushing danger.    |  | Wear lung protection.    |
|  | Electrical Hazard.                       |  | Requires X People        |

### ⚠ PROP 65 WARNING

SOME DUST CREATED BY POWER SANDING, SAWING, GRINDING, DRILLING, AND OTHER CONSTRUCTION ACTIVITIES CONTAINS CHEMICALS KNOWN TO THE STATE OF CALIFORNIA TO CAUSE CANCER, BIRTH DEFECTS OR OTHER REPRODUCTIVE HARM. SOME EXAMPLES OF THESE CHEMICALS ARE:

- LEAD FROM LEAD-BASED PAINTS.
- CRYSTALLINE SILICA FROM BRICKS, CEMENT AND OTHER MASONRY PRODUCTS.
- ARSENIC AND CHROMIUM FROM CHEMICALLY-TREATED LUMBER.

YOUR RISK FROM THESE EXPOSURES VARIES, DEPENDING ON HOW OFTEN YOU DO THIS TYPE OF WORK. TO REDUCE YOUR EXPOSURE TO THESE CHEMICALS: WORK IN A WELL VENTILATED AREA, AND WORK WITH APPROVED SAFETY EQUIPMENT, SUCH AS THOSE DUST MASKS THAT ARE SPECIALLY DESIGNED TO FILTER OUT MICROSCOPIC PARTICLES.

### ⚠ APPLICATIONS WARNING

- THIS MACHINE WAS DESIGNED FOR CERTAIN APPLICATIONS ONLY. WE STRONGLY RECOMMEND THAT THIS MACHINE NOT BE MODIFIED AND/OR USED FOR ANY APPLICATION OTHER THAN THAT FOR WHICH IT WAS DESIGNED. IF YOU HAVE ANY QUESTIONS RELATIVE TO A PARTICULAR APPLICATION, DO NOT USE THE MACHINE UNTIL YOU HAVE FIRST CONTACTED THE MANUFACTURER TO DETERMINE IF IT CAN OR SHOULD BE PERFORMED ON THE PRODUCT.
- IF YOU HAVE ANY QUESTIONS RELATIVE TO ITS APPLICATION DO NOT USE THE PRODUCT UNTIL YOU HAVE CONTACTED THE MANUFACTURER AND WE HAVE ADVISED YOU.

### ⚠ WARNING!

#### Machine & Workshop Safety Instructions

Read and understand all warnings and operating instructions before using this equipment. Failure to follow all instructions listed below, may result in electric shock, fire, and/or serious personal injury or property damage. Machinery can be dangerous if safe and proper operating procedures are not followed. As with all machinery, there are certain hazards involved with the operation of the product. Using the machine with respect and caution will considerably lessen the possibility of personal injury. However, if normal safety precautions are overlooked or ignored, personal injury to the operator may result. Safety equipment such as guards, push sticks, hold-downs, feather boards, goggles, dust masks and hearing protection can reduce your potential for injury. But even the best guard won't make up for poor judgment, carelessness or inattention. Always use common sense and exercise caution in the workshop. If a procedure feels dangerous, don't try it. Figure out an alternative procedure that feels safer. REMEMBER: Your personal safety is your responsibility.

**OWNER'S MANUAL.** Read and understand this owner's manual BEFORE using machine.

**TRAINED OPERATORS ONLY.** Untrained operators have a higher risk of being hurt or killed. Only allow trained/supervised people to use this machine. When machine is not being used, disconnect power, remove switch keys, or lock-out machine to prevent unauthorized use—especially around children. Make your workshop kid proof!

**DANGEROUS ENVIRONMENTS.** Do not use machinery in areas that are wet, cluttered, or have poor lighting. Operating machinery in these areas greatly increases the risk of accidents and injury.

**MENTAL ALERTNESS REQUIRED.** Full mental alertness is required for safe operation of machinery. Never operate under the influence of drugs or alcohol, when tired, or when distracted.

**ELECTRICAL EQUIPMENT INJURY RISKS.** You can be shocked, burned, or killed by touching live electrical components or improperly grounded machinery. To reduce this risk, only allow qualified service personnel to do electrical installation or repair work, and always disconnect power before accessing or exposing electrical equipment.

**DISCONNECT POWER FIRST.** Always disconnect machine from power supply BEFORE making adjustments, changing tooling, or servicing machine. This prevents an injury risk from unintended start-up or contact with live electrical components.

**EYE PROTECTION.** Always wear ANSI-approved safety glasses or a face shield when operating or observing machinery to reduce the risk of eye injury or blindness from flying particles. Everyday eyeglasses are NOT approved safety glasses.

**WEARING PROPER APPAREL.** Do not wear clothing, apparel or jewelry that can become entangled in moving parts. Always tie back or cover long hair. Wear non-slip footwear to reduce risk of slipping and losing control or accidentally contacting cutting tool or moving parts.

**HAZARDOUS DUST.** Dust created by machinery operations may cause cancer, birth defects, or long-term respiratory damage. Be aware of dust hazards associated with each workpiece material. Always wear a NIOSH-approved respirator to reduce your risk.

**HEARING PROTECTION.** Always wear hearing protection when operating or observing loud machinery. Extended exposure to this noise without hearing protection can cause permanent hearing loss.

**REMOVE ADJUSTING TOOLS.** Tools left on machinery can become dangerous projectiles upon startup. Never leave chuck keys, wrenches, or any other tools on machine. Always verify removal before starting!

**USE CORRECT TOOL FOR THE JOB.** Only use this tool for its intended purpose—do not force it or an attachment to do a job for which it was not designed. Never make unapproved modifications, modifying tool or using it differently than intended may result in malfunction or mechanical failure that can lead to personal injury or death!

**AWKWARD POSITIONS.** Keep proper footing and balance at all times when operating machine. Do not overreach! Avoid awkward hand positions that make workpiece control difficult or increase the risk of accidental injury.

**CHILDREN & BYSTANDERS.** Keep children and bystanders at a safe distance from the work area. Stop using machine if they become a distraction.

**GUARDS & COVERS.** Guards and covers reduce accidental contact with moving parts or flying debris. Make sure they are properly installed, undamaged, and working correctly BEFORE operating machine.

**FORCING MACHINERY.** Do not force machine. It will do the job safer and better at the rate for which it was designed.

**NEVER STAND ON MACHINE.** Serious injury may occur if machine is tipped or if the cutting tool is unintentionally contacted.

**STABLE MACHINE.** Unexpected movement during operation greatly increases risk of injury or loss of control. Before starting, verify machine is stable and mobile base (if used) is locked.

**USE RECOMMENDED ACCESSORIES.** Consult this owner's manual or the manufacturer for recommended accessories. Using improper accessories will increase the risk of serious injury.

**UNATTENDED OPERATION.** To reduce the risk of accidental injury, turn machine OFF and ensure all moving parts completely stop before walking away. Never leave machine running while unattended.

**MAINTAIN WITH CARE.** Follow all maintenance instructions and lubrication schedules to keep machine in good working condition. A machine that is improperly maintained could malfunction, leading to serious personal injury or death.

**DAMAGED PARTS.** Regularly inspect machine for damaged, loose, or wrongly adjusted parts—or any condition that could affect safe operation. Immediately repair/replace BEFORE operating machine. For your own safety, DO NOT operate machine with damaged parts!

**MAINTAIN POWER CORDS.** When disconnecting cord-connected machines from power, grab and pull the plug—NOT the cord. Pulling the cord may damage the wires inside. Do not handle cord/plug with wet hands. Avoid cord damage by keeping it away from heated surfaces, high traffic areas, harsh chemicals, and wet/damp locations.

## WARNING!

### Jointer Specific Safety Instructions

LIKE ALL MACHINES, THERE IS DANGER ASSOCIATED WITH THE MACHINE. INJURY IS FREQUENTLY CAUSED BY LACK OF KNOWLEDGE OR FAMILIARITY. USE THIS MACHINE WITH RESPECT. IF NORMAL SAFETY PRECAUTIONS ARE OVERLOOKED OR IGNORED, SERIOUS PERSONAL INJURY MAY OCCUR.

#### 1. KICKBACK

"KICKBACK" IS WHEN THE WORK PIECE IS THROWN OFF THE JOINTER TABLE BY THE CUTTER HEAD. ALWAYS USE PUSH BLOCKS AND SAFETY GLASSES TO REDUCE THE LIKELIHOOD OF INJURY FROM "KICKBACK". THE "KICKBACK ZONE", IS THE PATH DIRECTLY THROUGH THE END OF THE IN FEED TABLE. NEVER STAND OR ALLOW OTHERS TO STAND IN THIS AREA DURING OPERATION. IF KICK BACK OCCURS, SEVERE INJURY MAY RESULT.

#### 2. CUTTER HEAD ALIGNMENT

TO REDUCE THE POSSIBILITY OF KICKBACK, KEEP THE TOP EDGE OF THE OUT FEED TABLE ALIGNED WITH THE CUTTER HEAD INSERT AT TOP DEAD CENTER (TDC).

**3. PUSH BLOCKS**

THE CUTTER HEADS ARE EXTREMELY DANGEROUS AND YOU MUST NEVER PASS YOUR HANDS OVER THE CUTTER HEAD. ALWAYS USE PUSH BLOCKS WHENEVER SURFACE PLANNING. HAND SAFETY. IT IS GOOD PRACTICE TO MOVE THE HANDS IN AN ALTERNATE MOTION FROM BACK TO FRONT AS THE WORK CONTINUES THROUGH THE CUT. NEVER PASS YOUR HANDS DIRECTLY OVER THE CUTTERHEAD. AS ONE HAND APPROACHES THE CUTTERHEAD REMOVE IT FROM THE STOCK IN AN ARC MOTION AND PLACE IT BACK ON THE STOCK IN A POSITION BEYOND THE CUTTERHEAD. YOUR HANDS MUST NEVER BE CLOSER THAN 3 INCHES TO THE CUTTER HEAD.

**4. SUPPORTING THE WORK**

ONLY MAKE CUTS IF THE WORK PIECE IS STABLE AND NEVER ATTEMPT TO CUT UNSTABLE PLANKS, OR INJURY MAY OCCUR.

**5. CUTTING DEPTH**

NEVER EXCEED THE MAXIMUM CUTTING DEPTH AS STATED IN THE SPECIFICATION FOR YOUR MACHINE. IT IS FAR BETTER TO TAKE SEVERAL SMALL CUTS RATHER THAN LARGE CUTS.

**6. DIRECTION OF CUT**

JOINTING AGAINST THE GRAIN OR JOINTING END GRAIN IS DANGEROUS AND COULD PRODUCE CHATTER OR EXCESSIVE CHIP OUT. ALWAYS JOINT WITH THE GRAIN.

**7. GUARDS**

GUARDS ARE DESIGNED TO REDUCE THE RISK OF INJURY. ALWAYS USE THE GUARDS. IF IT IS IMPERATIVE TO USE THE MACHINE WITHOUT THE GUARDS, [RABBETING] ALWAYS REPLACE THE GUARDS.

**8. CUTTING DIRECTION**

ONLY CUT FROM THE IN FEED TABLE TO THE OUT FEED TABLE, AND ALWAYS COMPLETE THE CUT. DO NOT STOP THE WOOD PROGRESS UNTIL THE JOB HAS CLEARED THE CUTTER HEAD COMPLETELY. ONLY CUT WITH THE GRAIN OR AT A SLIGHT ANGLE TO THE GRAIN.

**9. STOCK**

YOUR SAFETY WILL BE GREATLY ENHANCED IF YOU ONLY USE GOOD LUMBER. ONLY WORK WITH LUMBER AFTER YOU HAVE INSPECTED IT COMPLETELY. STAPLES, NAILS LOOSE KNOTS AND ANY OTHER METAL IN THE PLANK WILL DAMAGE YOUR CUTTER HEAD AND COULD CAUSE INJURY AND OR FIRE. IF YOU HAVE ANY QUESTION ABOUT A PIECE OF LUMBER, DO NOT USE IT.

**SAVE THESE INSTRUCTIONS.**

Refer to them often and use them to instruct others.

# Electrical Safety

## ⚠ WARNING!

- RUNNING ON A DIFFERENT VOLTAGE THAN STATED BELOW WILL DAMAGE THE MACHINE. NEVER RUN THE MACHINE IN WET OR DAMP CONDITIONS.
- ELECTROCUTION, FIRE, SHOCK, OR EQUIPMENT DAMAGE MAY OCCUR IF MACHINE IS NOT PROPERLY GROUNDED AND CONNECTED TO POWER SUPPLY.

## Motor Specifications

The typical main motor is 3 HP and is wired for 220 Volt, Single-Phase, 60 HZ, AC current with a (NEMA 6-20P) plug for North America. Confirm your motor electrical configuration and plug before connecting power! Before connecting the machine to the power source, make sure the starter and switches are in the "OFF" position.

## Power Supply

A separate electrical circuit should be used for each machine. This circuit should not be less than the wiring listed below and should be protected with an appropriate circuit breaker based on the total running and start-up amperage's (listed below). Extension cords are not recommended. But, if an extension cord is used, use only 3-wire extension cords which have 3-prong grounding type plugs and matching receptacle which will accept the machine's plug.

### MJ8X72E-0130

VOLTAGE	220V
PHASE	1PH
HERTZ	60Hz
FULL LOAD AMPERAGE	12 Amp

**⚠ WARNING!** Below are RECOMMENDATIONS to be used for this machine based on the above information. Variables that may affect this are:

- Actual voltage supplied to the machine
- Electrical code that must be met in your local province.

An electrician will verify that all the demands are met to properly wire the machine. If you have absolutely any doubt when wiring this machine - please consult with a qualified electrician.

PLUG/RECEPTACLE	220V
WIRING (Gauge)	See Jacket Printing
CIRCUIT BREAKER/FUSE	20 Amp

If this information is different than what is stated on the Motor Specification Plate - omit this information. It is possible that the documentation is outdated to a machine change - such as a different motor. **Always check the motor plate prior to any wiring.** If any doubts, please consult a certified electrician.

Know when to use a time delay fuse! AKA Slow blow fuse. Generally, if the motor uses a start capacitor, a time delay fuse is required. This type of fuse will not trip with the initial amperage needed



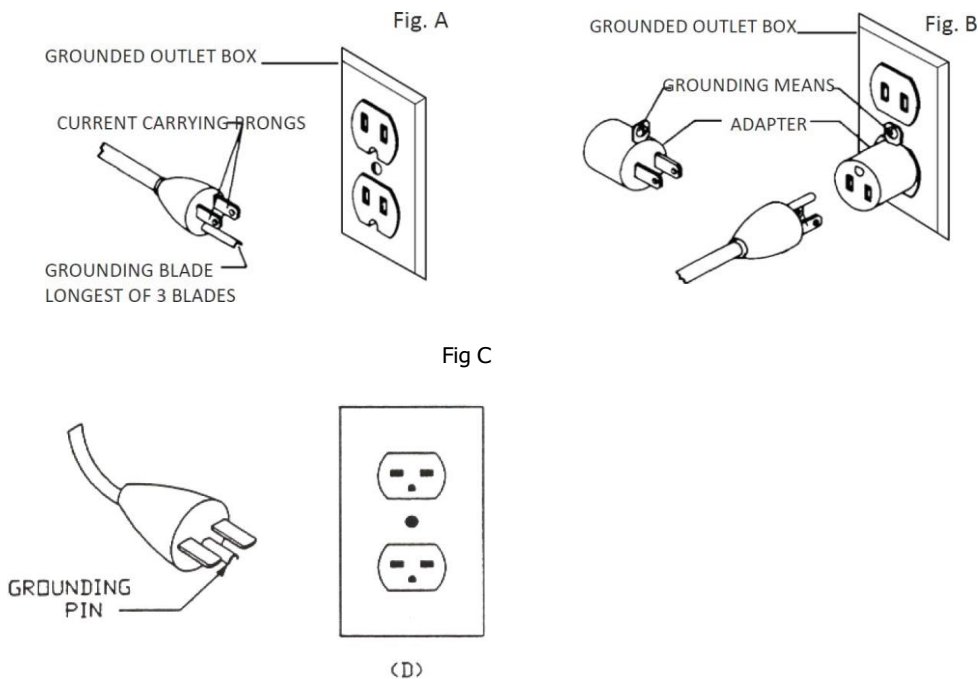
to start the machine, which is typically double that of the running amperage. Most woodworking machines use this type of fuse. NOTE: Most common circuit breakers have this feature "built-in".

## Grounding Methods

### ⚠ DANGER!

THIS MACHINE MUST BE GROUNDED WHILE IN USE TO PROTECT THE OPERATOR FROM ELECTRIC SHOCK. IN ALL CASES, MAKE CERTAIN THAT THE RECEPTACLE IN QUESTION IS PROPERLY GROUNDED. IF YOU ARE NOT SURE, HAVE A QUALIFIED ELECTRICIAN CHECK THE RECEPTACLE.

Grounding Methods Provided by CSA Group. (A) Receptacle with nominal rating less than 150 volts. (B) 150 volt receptacle without grounding pin fitted with adapter. (C) 150-250 volt receptacle.



### 1. All grounded, cord-connected machines:

In the event of a malfunction or breakdown, grounding provides a path of least resistance for electric current to reduce the risk of electric shock. This tool is equipped with an electric cord having an equipment-grounding conductor and a grounding plug. The plug must be plugged into a matching outlet that is properly installed and grounded in accordance with all local codes and ordinances.

Do not modify the plug provided - if it will not fit the outlet, have the proper outlet installed by a qualified electrician.

Improper connection of the equipment-grounding conductor can result in a risk of electric shock. The conductor with insulation having an outer surface that is green with or without yellow stripes is the

equipment-grounding conductor. If repair or replacement of the electric cord or plug is necessary, do not connect the equipment-grounding conductor to a live terminal.

Check with a qualified electrician or service personnel if the grounding instructions are not completely understood, or if in doubt as to whether the tool is properly grounded.

Use only 3-wire extension cords that have 3-prong grounding plugs and 3 pole receptacles that accept the tool's plug.

Repair or replace damaged or worn cord immediately.

## 2. Grounded, cord-connected machines intended for use on a supply circuit having a nominal rating less than 150 volts:

This tool is intended for use on a circuit that has an outlet that looks like the one illustrated in Fig. A. The tool has a grounding plug that looks like the plug illustrated in Fig A. A temporary adapter, which looks like the adapter illustrated in Fig B may be used to connect this plug to a 2 pole receptacle as shown in Fig B if a properly grounded outlet is not available. The temporary adapter should be used only until a properly grounded outlet can be installed by a qualified electrician. This adapter is not permitted in Canada. The green-colored rigid ear, lug, and the like, extending from the adapter must be connected to a permanent ground such as a properly grounded outlet box.

## 3. Grounded, cord-connected tools intended for use on a supply circuit having a nominal rating between 150 – 250 volts, inclusive:

This tool is intended for use on a circuit that has an outlet that looks like or similar to the one illustrated in Fig C. The tool has a grounding plug that looks like the plug illustrated in Fig C. Make sure the tool is connected to an outlet having the same configuration as the plug. No adapter is available or should be used with this tool. If the tool must be reconnected for use on a different type of electric circuit, the reconnection should be made by qualified service personnel; and after reconnection, the tool should comply with all local codes and ordinances.

## Extension Cords

**⚠ WARNING!** Use proper extension cords. Make sure your extension cord is in good condition and is a 3-wire extension cord which has a 3-prong grounding type plug and matching receptacle which will accept the machine's plug. When using an extension cord, be sure to use one heavy enough to carry the current of the machine. An undersized cord will cause a drop in line voltage, resulting in loss of power and overheating. If in doubt, use the next heavier gauge. The smaller the gauge number, the heavier the cord.

MINIMUM GAUGE EXTENSION CORD 120V  
RECOMMENDED SIZES FOR USE WITH STATIONARY ELECTRIC MACHINES

Ampere Rating	Volts	Total Length of Cord in Feet	Gauge of Extension Cord
0-6	120	up to 25	18 AWG
0-6	120	25-50	16 AWG
0-6	120	50-100	16 AWG
0-6	120	100-150	14 AWG
6-10	120	up to 25	18 AWG
6-10	120	25-50	16 AWG

6-10	120	50-100	14 AWG
6-10	120	100-150	12 AWG
10-12	120	up to 25	16 AWG
10-12	120	25-50	16 AWG
10-12	120	50-100	14 AWG
10-12	120	100-150	12 AWG
12-16	120	up to 25	14 AWG
12-16	120	25-50	12 AWG
12-16	120	GREATER THAN 50 FEET NOT RECOMMENDED	

MINIMUM GAUGE EXTENSION CORD 240V  
RECOMMENDED SIZES FOR USE WITH STATIONARY ELECTRIC MACHINES

Ampere Rating	Volts	Total Length of Cord in Feet	Gauge of Extension Cord
0-6	240	up to 50	18 AWG
0-6	240	50-100	16 AWG
0-6	240	100-200	16 AWG
0-6	240	200-300	14 AWG
6-10	240	up to 50	18 AWG
6-10	240	50-100	16 AWG
6-10	240	100-200	14 AWG
6-10	240	200-300	12 AWG
10-12	240	up to 50	16 AWG
10-12	240	50-100	16 AWG
10-12	240	100-200	14 AWG
10-12	240	200-300	12 AWG
12-16	240	up to 50	14 AWG
12-16	240	50-100	12 AWG
12-16	240	GREATER THAN 100 FEET NOT RECOMMENDED	

# Specifications

## JX|8 Sheartec:II Jointer

JX|8 SHEARTEC: II  
MJ8X72P-0130

VOLT HP MOTOR AMP. RECOM. SIZE BRKR.	230V 3HP 1PHASE 60HZ/15 AMP.
CSA	YES
BED SIZE	8 X 72"
INFEED TABLE PULL-OUT EXTENSION	8"
RABBETTING CAPACITY	1/2"
FENCE SIZE	38" X 4-3/4" CAST IRON
FENCE TILT	±45/90 DEGREE
MAX. DEPTH OF CUT	1/8"
TABLE HEIGHT FROM FLOOR	31"
SAFETY BAR SHUT-OFF	YES
WHEELS BUILT-IN	YES
BRACKET TO MOUNT LIGHT	NO
110V OUTLET FOR LIGHT	NO
BRACKET TO MOUNT FEEDER	NO
DUST PORT DIAMETER	4"
CUTTERHEAD INSERT #	54 X 4-SIDED CARBIDE, 6 ROW
CUTTERHEAD RPM	5500
CUTTERHEAD DIAMETER	3-1/8"
BED ADJUSTMENT	PARALLELOGRAM
DIMENSIONS SET UP APPROX.	75-1/2" X 26-1/2"
DIMENSIONS SHIPPING	76" X 25" X 41"
NET/SHIP WEIGHT # OF BOXES	LBS. 380/495 2 BOXES

# Machine Overview

## JX|8 Sheartec:II Jointer

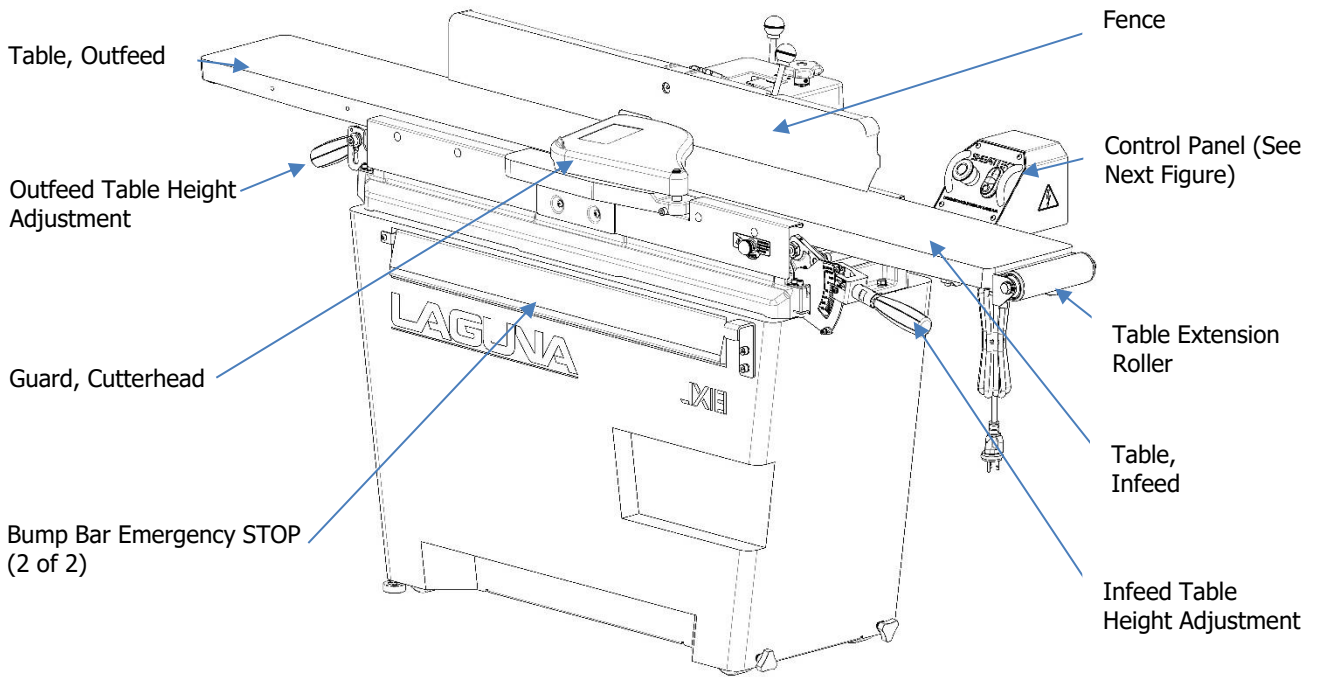


Figure 1: Main Components

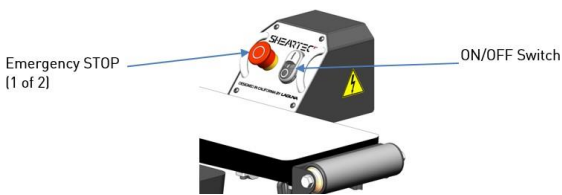


Figure 2: Control Panel

- A. Emergency Stop (E-STOP); stops all functions of machine, however, power continues to machine. NOTICE! To reset E-STOP, rotate switch clockwise until the button “pops” out. NOTICE! E-STOP bump bar (red) located on front of frame.
- B. ON/OFF Switch; Starts and Stops rotation of cutterhead. NOTICE! Will not work if the E-STOP is engaged.

# Setup

## Setup Overview (MUST READ)

When setting up your Jointer, please take a moment to read this overview prior to starting.

The machine is shipped in two boxes. One box contains the stand and motor the second box contains the tables, fence, etc. You will have to assemble the machine and calibrate the thickness scale.

After Setup, there may be a few adjustments to be made. All adjustments are done prior to shipping the machine, however if additional adjustments are required, please follow the adjustment guides.

**⚠ CAUTION!** If you have any doubt about the described procedure, seek professional assistance. Do not attempt any procedure that you feel is unsafe, or that you do not have the physical capability of achieving.

## Placement & Unboxing

Your Machine will likely be delivered by a third-party delivery service. Before unpacking your new machine, first inspect the packaging, the invoice, and the shipping documents supplied by the driver. When unpacking your machine, separate all enclosed items from the packing materials and inspect them for damages. Ensure that there is no visible damage to either the packaging or the machine BEFORE the driver leaves. Save all packaging materials until you are satisfied with the machine and/or have resolved any issues concerning any missing or damaged items.

### NOTICE!

- ALL SHIPPING DAMAGE MUST BE NOTED UPON DELIVERY AND SIGNED BY THE OWNER AND THE DELIVERY DRIVER. IF YOU FIND ANY DAMAGED ITEMS IN YOUR PACKAGE, YOU MUST CONTACT LAGUNA TOOLS TO FILE A COMPLAINT. IN ORDER TO RETURN DAMAGED GOODS UNDER THE LIMITED WARRANTY TO LAGUNA TOOLS, INC., YOU MUST HAVE THE ORIGINAL PACKAGING. ALL CLAIMS OF LOSS OR DAMAGED GOODS MUST BE REPORTED TO LAGUNA TOOLS WITHIN 24 HOURS OF DELIVERY. PLEASE CONTACT THE LAGUNA TOOLS, INC. CUSTOMER SERVICE DEPARTMENT TO MAKE CLAIMS FOR ANY DAMAGED ITEMS/PARTS.
- IT IS PROBABLE THAT YOU WILL FIND SAWDUST WITHIN YOUR MACHINE. THIS IS BECAUSE THE MACHINE HAS BEEN TESTED PRIOR TO SHIPMENT FROM THE FACTORY AND OR LAGUNA TOOLS. WE TEST MACHINES PRIOR TO SHIPPING TO CUSTOMERS, BUT MOVEMENT CAN TAKE PLACE DURING TRANSPORTATION. SOME ADJUSTMENTS MAY HAVE TO BE UNDERTAKEN BY THE CUSTOMER. THESE ADJUSTMENTS ARE COVERED IN THE VARIOUS SECTIONS OF THIS MANUAL.

## Placement

Before you remove your machine from the packaging, select the area where you will use your machine. There are no hard and fast rules for its location, but below are a few guidelines:

1. There should be sufficient area at the front of the machine to allow you to work on it comfortably.
2. There should be sufficient area at the back of the machine to allow access for adjustments and maintenance to be conducted.
3. Adequate lighting. The better the lighting the more accurately and safely you will be able to work.
4. Solid floor. You should select a solid flat floor, preferably one made of concrete or something similar.
5. Locate it close to a power source and dust collection.

6. Allow an area for the storage of blanks, finished products and tools.

## Unboxing

### ⚠ WARNING!

- THE MACHINE WEIGHS 495 LBS (224KG). ENSURE THAT YOU HAVE ENOUGH PEOPLE TO DO THE JOB SAFELY.
- IF YOU HAVE ANY DOUBT ABOUT THE PROCEDURE, SEEK PROFESSIONAL ASSISTANCE. DO NOT ATTEMPT ANY PROCEDURE THAT YOU FEEL IS UNSAFE, OR THAT YOU DO NOT HAVE THE PHYSICAL CAPABILITY ACHIEVING.

This step may require a forklift. The components and the machine are heavy, be careful when lifting and handling it! Failure to comply may cause serious injury and/or damage to the machine and/or property! Use of a forklift to remove the stand and jointer tables from pallet is a good procedure. A forklift can also be used to place the jointer body (tables) on the stand.

NOTICE! The jointer body (tables) can also be lifted with a harness and forklift.



FIGURE 3: CRATED MACHINE

The Jointer comes packed in two crates. Before attempting to assemble this machine, follow these directions:

1. Remove the stand crate from the pallet and place on the floor.
2. Cut any banding and open crate. Remove the stand from the crate.
3. Casters may be factory installed, if not, install leveling feet or casters into stand, or place on a mobile base.
4. Remove the top covering the jointer body (tables), typically screwed (or nailed) in place.
5. Remove the two ends of the crate.
6. Remove any excess packing or crating material from around the jointer body.
7. Remove any packing material such as cardboard or foam.
8. Using the information below, ensure that all parts are present and in good condition.

# Inventory List

The following depicts items shipped with your machine. Before assembling, ensure that you have received all parts shown below. Machine parts should arrive sealed in plastic bags. Remove parts from plastic bags before laying them out to inventory them.

## Inventory

- 2 Push Blocks
- 1 3mm Hex Wrench
- 1 6mm Hex Wrench
- 1 8/10mm Wrench
- 1 11/13mm Wrench

## Tools/items Required: Assembly & Adjustment

- T-25 Torx Wrench
- 3mm Hex Wrench
- 6mm Hex Wrench
- 8mm Hex Wrench (not included)
- 8/10mm Wrench
- 11/13mm Wrench

### DANGER!

FOR YOUR OWN SAFETY, DO NOT CONNECT THE MACHINE TO THE POWER SOURCE UNTIL THE MACHINE IS COMPLETELY ASSEMBLED! PLEASE ALSO MAKE SURE THAT YOU READ AND UNDERSTAND THE ENTIRE MANUAL.



# Assembling

## Machine Preparation and Setup:

1. The machine may be supplied with four installed wheels (depending on model), two of which are locking style (infeed side). Lock these two wheels, by turning the thumbscrew clockwise, when the machine is placed and before operation (Fig. 4). Loosen the two thumbscrews when moving the jointer.



FIGURE 4: WHEEL LOCKS

2. Position the Jointer Body on the Stand with the cutterhead pulley directly above and on the same side as the motor pulley.  
***NOTE: Have help lifting and positioning the jointer body onto the stand! Or use a forklift as described earlier.***

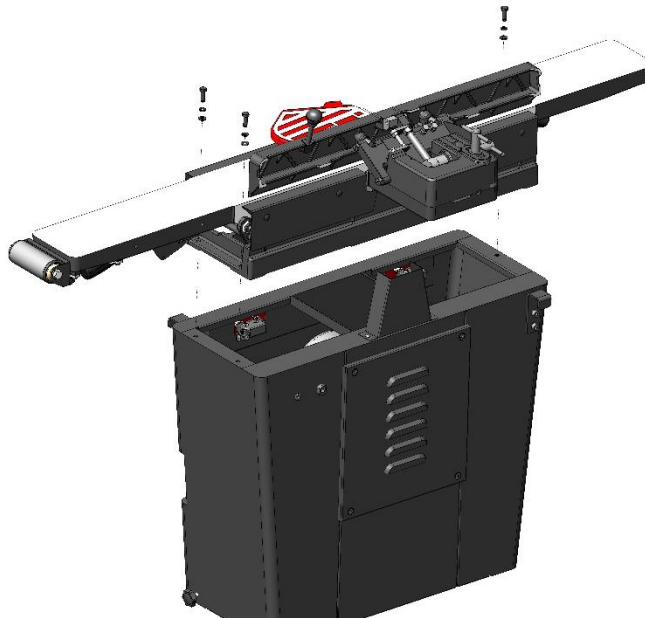


FIGURE 5: ASSEMBLING JOINTER

3. Insert three bolts, with the lock washer and flat washer into each hole of jointer body (Fig. 5). Thread each bolt into the mating nut (factory secured) of the stand.
4. Use a wrench to tighten each bolt.
5. Attach the drive belt between the cutterhead pulley and motor pulley. Reach into the dust chute or cabinet base, (depending on the model), and use a wrench to loosen the four bolts holding the motor to the mounting bracket. Align the pulleys using the slotted holed on the motor mounting bracket.
6. Raise the motor as high as possible and mount the belt on to both pulleys. Allow the motor to lower and create tension on the belt.
7. Pull down on the motor to achieve the desired belt tension. Correct tension is when the belt can be deflected approximately  $\frac{1}{2}$ " ( $\frac{1}{4}$ " each side of belt) at the center of the belt aspen using light finger pressure (Fig.6).

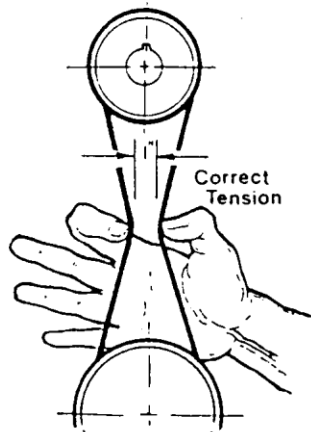


FIGURE 6: BELT TENSION;  
 $\frac{1}{2}$ " ( $\frac{1}{4}$ " each side of belt)

8. Tighten the four bolts mounting the motor.
9. Install the pulley cover using four  $\frac{1}{4}$ -20 x  $\frac{1}{2}$ " bolts through the cover and into the base. Shown in Figure 7.

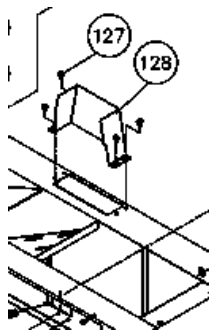


FIGURE 7: Pulley Cover

10. Clean all rust protected surfaces with a commercial de-greaser. DO NOT use acetone, gasoline, lacquer thinner or any type of cleaner that could damage paint. Coat cleaned surfaces with WD-40® or Teflon based lube.

**⚠ CAUTION!**

BE CAREFUL WHEN WORKING ON OR NEAR CUTTERHEAD AS THE KNIVES ARE VERY SHARP!

## Power Supply Circuit Requirements

The power source circuit for your machine must be grounded and rated for the amperage given below. Never replace a circuit breaker on an existing circuit with one of higher amperage without consulting a qualified electrician to ensure compliance with wiring codes. If you are unsure about the wiring codes in your area or you plan to connect your machine to a shared circuit, consult a qualified electrician.

Circuit Size (220V, 1-Phase)..... 15 Amp minimum

### DANGER!

IN ALL CASES, MAKE CERTAIN THE RECEPTACLE IN QUESTION IS PROPERLY GROUNDED. IF YOU ARE NOT SURE, HAVE A QUALIFIED ELECTRICIAN CHECK THE RECEPTACLE.

## Motor Specifications

The typical main motor is 3 HP and is wired for 220 Volt, Single-Phase, 60 HZ, AC current. Confirm your motor electrical configuration before connecting power! Before connecting the machine to the power source, make sure the starter and switches are in the "OFF" position. NEMA 6-20P, plug and cord included.

### WARNING

WHEN COMPLETED, THE MACHINE MUST CONFORM TO THE NATIONAL ELECTRIC CODE AND ALL LOCAL CODES AND ORDINANCES.

## Connecting Power (See wiring diagram)

1. Plug power cord into 20 Amp, 220 Volt, Single Phase, dedicated circuit.

### WARNING

DISCONNECT POWER SUPPLY TO JOINTER BEFORE CONTINUING! ONLY CONNECT POWER WHEN REQUIRED.

## Calibrating the Thickness Scale



FIGURE 8: THICKNESS SCALE



FIGURE 9: LOCK PIN

1. Loosen the Infeed Table locking handle by rotating counterclockwise (Fig. 8).
2. Pull and hold the Lock Pin (Fig. 9) while positioning handle to 1/64". Tighten handle.
3. Make a test cut half-way on sample material. Measure The depth of cut/stock removal on the sample. If not 1/64", adjust pointer to actual cut dimension by loosening the Phillips screw and adjusting red pointer and tightening the Philips screw.

## Adjusting the Fence

The fence can be adjusted to use all or a portion of the cutterhead. To adjust, loosen the Locking Handle (Fig. 10) and turn the Adjustment Knob to position fence in desired location.

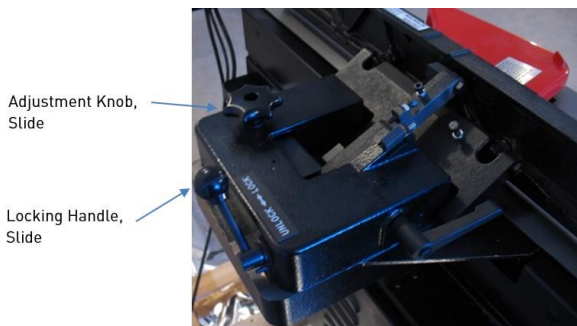


FIGURE 10: FENCE SLIDE COMPONENTS

**NOTICE!** The 90-degree position has an included reference STOP (Fig. 11). To adjust, flip the stop into position, loosen the lock nut and rotate the adjusting screw until the fence is at 90 degrees to the table. Tighten the lock nut and flip the stop back if making other angled adjustments. To check the 90 degree setting, place a square on the outfeed table and against the fence.

To adjust the fence perpendicular or angled to the bed, loosen the Locking Lever (Fig. 11) and adjust the fence to the desired position.

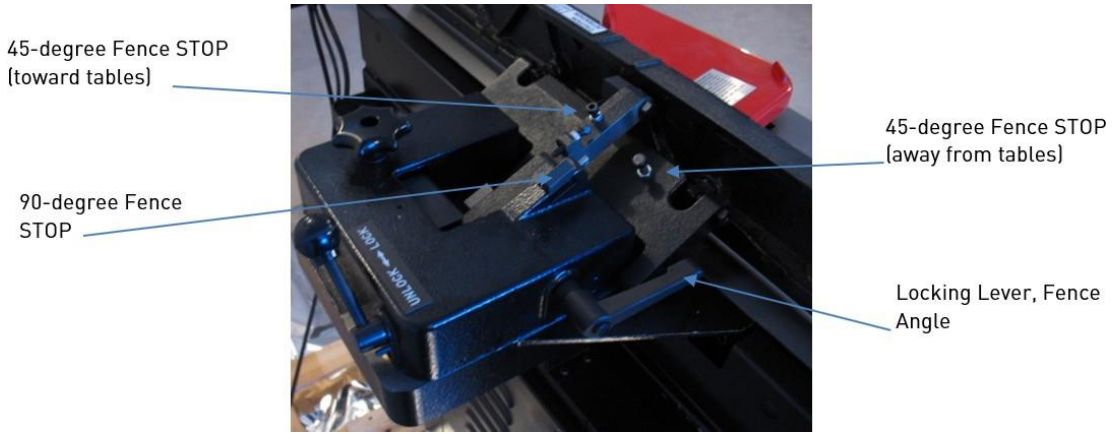


FIGURE 11: Fence Stope & Locks

# Operation

## ⚠ CAUTION!

PLACE THE JOINTER ON A SECURE AND STABLE SURFACE FOR OPERATION. CLAMP OR BOLT THE JOINTER INTO POSITION.

1. Establish the proper depth of cut, (1/8" maximum). However, 1/64" is the recommend cut for the best finish with least chance of kick-back when jointing. Several shallow cuts generally provide a better finish with safer operation than one deep cut.



NOTICE! The infeed table extension (Fig. 12) can be extended for support of long material. Loosen the two locking studs under the bed, pull extension out and tighten the two locking studs.

FIGURE 12: INFEEED TABLE EXTENSION

2. Start dust collection.
3. Start jointer.
4. Feed stock into cutterhead, while maintaining contact of the stock on the bed and against the fence. Maintain control and support of stock as the stock opens the guard and contacts the cutterhead. Maintain a good, firm stance while pushing stock across the jointer. Move hands along stock when feeding to maintain control of stock. **Lift hands from stock as they come near cutterhead and reposition them on outfeed side. DO NOT** allow hands to come within three inches of the cutterhead.
5. Reposition yourself to the outfeed side of jointer and control and support stock until it is past cutterhead and the guard has fully closed.

## ⚠ WARNING

USE PUSH BLOCKS FOR FACE JOINTING! DO NOT PLACE YOUR HANDS NEAR CUTTERHEAD OR GUARD!

### Edge and Face jointing:



FIGURE 13: EDGE JOINTING



FIGURE 14: FACE JOINTING

## Beveling

The fence can be adjusted up to 45 degrees angled toward the infeed/outfeed tables (bed) or away from the infeed/outfeed tables (bed) for beveling. There is less chance of stock slippage when the fence is angled down, toward the tables (Fig. 15). Angling the fence toward the tables is also a safer method to bevel, when the application allows.

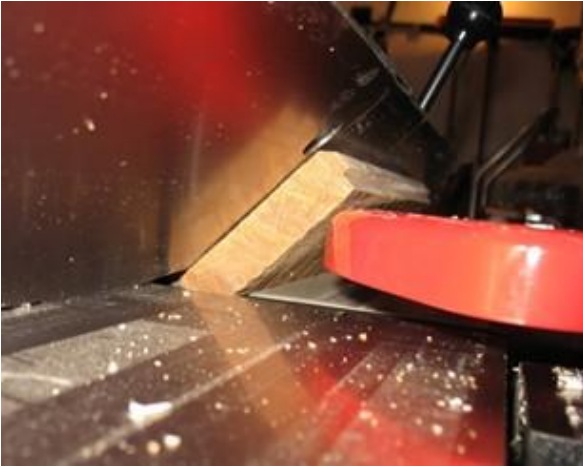


FIGURE 15: BEVELING

### *NOTICE!*

THE TWO 45-DEGREE POSITIONS INCLUDE TWO REFERENCE STOPS (FIG. 15). TO ADJUST, LOOSEN THE LOCK NUT AND ROTATE THE ADJUSTING SCREW UNTIL THE FENCE IS AT 45 DEGREES TO THE TABLE, ANGLED IN OR OUT.

## Rabbeting

Rabbeting is a groove along the edge of stock. The stock can be on edge or face, depending on the dimensions required for the rabbet.

Position fence for width of rabbet cut. This is the distance from the outmost edge of the outermost knife insert to the fence.

Set depth of cut with the Infeed Table Adjustment Handle. Do not set deeper than 1/64" per pass. Several passes may be required to reach the desired depth. Adjust the infeed table for each pass (1/64" max.) until the rabbet is completed.



FIGURE 16: RABBETING

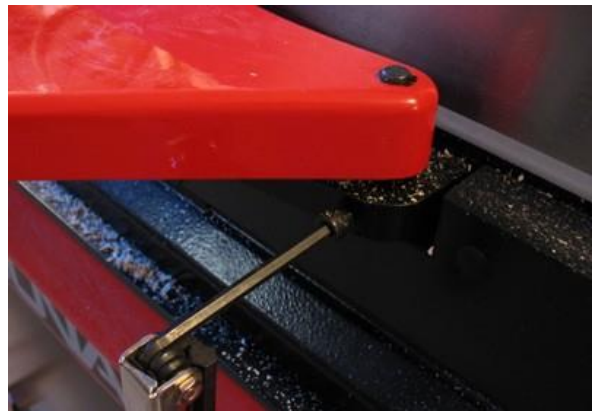


FIGURE 17: REMOVING GUARD FOR RABBETING

### NOTICE!

(SPRING LOADED GUARD (RED) MAY NEED TO BE REMOVED FOR RABBETING WIDE STOCK.) LOOSEN HEX BOLT AND LIFT GUARD WITH PIN FROM MACHINE (FIG. 21).

### ⚠ DANGER!

REPLACE GUARD AS SOON AS MACHINE STOPS AFTER RABBET IS CUT!  
NEVER ALLOW HANDS NEAR CUTTERHEAD WHEN THE GUARD IS REMOVED!



# Maintenance

## General

Keep your machine clean. At the end of each day, clean the machine. Wood contains moisture, and if sawdust or wood chips are not removed, they will cause rust.

In general, we recommend that you only use a Teflon-based lubricant on the jointer. Regular oil attracts dust and dirt. Teflon lubricant tends to dry and has less of a tendency to accumulate dirt and saw dust. Periodically check that all nuts and bolts are tight.

## Daily checks

1. Clean the machine and lubricate unpainted surfaces with a Teflon lubricant. Wipe off any excess and buff with a dry polishing cloth. This will reduce the likelihood of rust forming and reduce the friction on the tables as the wood is machined.
2. Check knife inserts for nicks and sharpness.
3. Inspect the machine for damage and loose or worn parts.

## Weekly checks

1. Clean the cutter head. Do not touch knife inserts!
2. Check knife inserts for nicks and sharpness.
3. Inspect the machine for damage and loose or worn parts.
4. Check the dust extraction for blockages and any large pieces that could cause blockages.

## Monthly checks

1. Check the drive belt for wear, splits, and cuts.
2. Clean the motor compartment and the motor to ensure that the motor cooling fins work efficiently.
3. Inspect the machine for damage and loose or worn parts. NOTICE! It is recommended that you use a Teflon based lubricant.

## Routine Inspections

It is a good idea to routinely inspect any quality woodworking tool to keep it in optimum condition. This includes inspecting all hardware for tightness, ensuring the filter is clean, and cleaning debris and grime from any surfaces and moving parts. In addition, make sure to:

- Clean out-feed rollers and table with a non-flammable solvent to remove pitch, gum and other unwanted build-up.
- Periodically clean the inside of the machine for dust control.
- Keep pulleys and belts free from dirt, dust, oil, and grease.
- Replace worn belts as needed.
- Replace worn knives or sharpen.

## Knife rotation/replacement

### ⚠ CAUTION!

KNIFE INSERTS ARE DANGEROUSLY SHARP. USE EXTREME CAUTION WHEN INSPECTING, REMOVING, OR REPLACING KNIFE INSERTS.

### ⚠ WARNING

- TURN JOINTER OFF AND DISCONNECT POWER BEFORE PERFORMING ANY MAINTENANCE OR ADJUSTMENTS!
- MAKE SURE ALL KNIFE INSERT SCREWS ARE TIGHTENED SECURELY. LOOSE INSERTS CAN BE PROPELLED AT HIGH SPEED FROM A ROTATING CUTTERHEAD, CAUSING INJURY.  
TORQUE EACH SCREW TO 52-60 IN/LBS.



Figure 18: Shear-Tec II Cutterhead

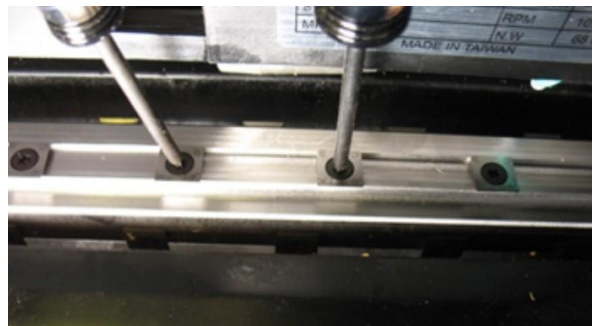


Figure 19: Holding (Quad-Tec I) Cutterhead w/driver

1. The knife inserts are four-sided. When dull, remove each knife, rotate it 90° for a fresh edge, and re-install it. No further adjustment is necessary. Use a Torx wrench to remove the knife insert screw. Use a second Torx wrench to hold the cutterhead (from rotating) in position (in another screw)

### ⚠ WARNING!

**DO NOT USE YOUR HAND TO HOLD THE CUTTERHEAD!** See Fig. 19.

2. It is advisable to rotate all inserts at the same time to maintain consistent cutting. However, if one or more knife inserts develops a nick, rotate only those inserts that are affected. Each knife insert has an etched reference mark so you can keep track of the rotation. Torque each screw to 52-60 in/lbs.
3. **IMPORTANT:** When removing or rotating inserts, clean sawdust from the screw, the insert, and the cutterhead platform. Dust accumulation between these elements can prevent the insert from seating properly and may affect the quality of the cut.
4. Before installing each screw, lightly coat the screw threads with machine oil and wipe off any excess. Securely tighten each screw which holds the knife inserts before operating the jointer!

## Outfeed Table Adjustment:

### ⚠ WARNING

- TURN OFF AND DISCONNECT POWER BEFORE PERFORMING ANY MAINTENANCE OR ADJUSTMENTS!

The outfeed table is adjusted at the factory to be level with (or up to max .006" lower than) the Top Dead Center (TDC) of the knife inserts.

To adjust the Outfeed Table, loosen the Adjustment Lock (Fig. 20) for the Outfeed Table with an 8mm hex wrench (not included). Adjust the height of the Outfeed Table with the Adjustment Handle for the Outfeed Table (Fig. 20). Tighten the Adjustment Lock.



FIGURE 20: OUTFEED TABLE ADJUSTMENT

## Poly Drive Belt Adjustment:

### ⚠ WARNING

- TURN OFF AND DISCONNECT POWER BEFORE PERFORMING ANY MAINTENANCE OR ADJUSTMENTS!

Proper tension is achieved when the belt can be depressed approximately 1/2" mid-way between the pulleys (1/4" depressed from each side).

If adjustment is needed remove the four screws holding the back panel to the stand of the jointer.

Motor Mounting Bolts (2 of 4)

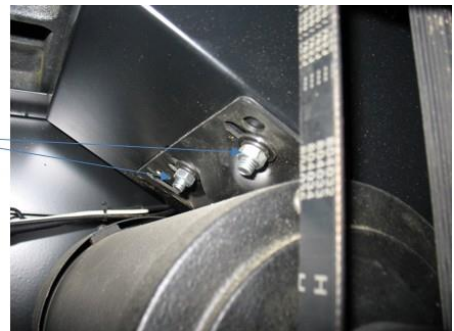


FIGURE 21: Motor Mount

The motor is attached with four bolts on a slide. Loosen the four motor mount bolts to tension the drive belt by sliding the motor downward.

When the drive belt is properly tensioned, tighten the four motor mounting bolts and replace the back cover.

## Adjusting Tables Coplanar:

### ⚠ WARNING

- TURN OFF AND DISCONNECT POWER BEFORE PERFORMING ANY MAINTENANCE OR ADJUSTMENTS!

The alignment of the infeed and outfeed tables has been precisely set at the factory. However, misalignment can be incurred from shipping movement. Follow these steps to check and adjust.

### OVERVIEW

These instructions are intended to assist when alignment of the infeed, outfeed or both tables require adjustment. It is **important** to note that the outfeed table must be parallel and flush with the cutterhead before adjusting the infeed table. Always make this adjustment first if needed.

If the infeed table cannot be adjusted parallel to the outfeed table (e.g., not enough adjustment within the eccentric adjustment collars), then the outfeed table will require adjustment to bring into the same plane as the **infeed table**, but the outfeed table must **ALWAYS remain parallel** and **flush** with the cutterhead. Always make this adjustment first if needed.

### Coplanarity Test:

**STEP 1:** DISCONNECT THE MACHINE FROM POWER!

**STEP 2:** Remove the cutterhead guard by loosening the set screw(s) and removing guard. (See GUARD INSTALLATION).

**STEP 3:** Slide the fence assembly back.

**STEP 4:** Place a straight edge across the tables in positions as shown in **FIG. 22**. In each position, the straight edge should rest flat and fit flush with both infeed and outfeed tables (not on an insert knife). If it does not, follow the steps in [Outfeed Table](#) and [Infeed Table](#) adjustments.

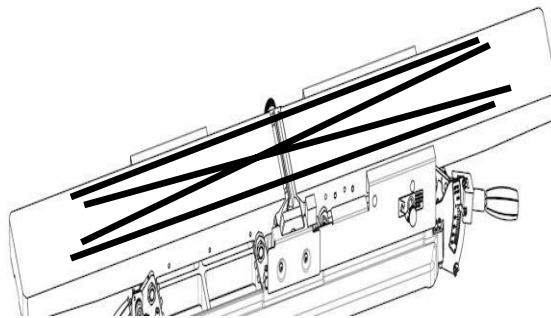


Figure 22: Checking tables for alignment

### Outfeed Table:

#### **Paralleling to cutterhead and establishing proper height to cutterhead**

**STEP 1:** While the machine is disconnected from power source, cutterhead guard is removed, and fence is away (pushed back); remove rear access panel of stand, to obtain access of drive belt.

**STEP 2:** Place a straight edge on the outfeed table halfway over the cutterhead as shown in **FIG. 23**. Rotate drive belt, if necessary, to bring an insert knife to top-dead-center for referencing to straight edge.

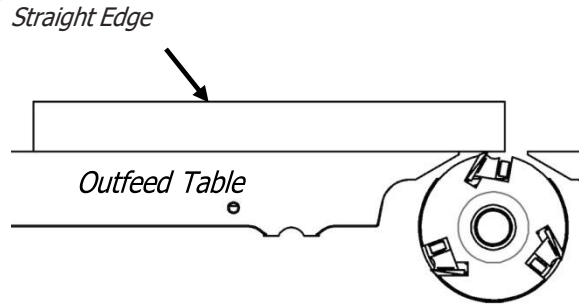


Figure 23: Checking Outfeed Table

**STEP 3:** Use a hex wrench (not included) to loosen Screw Lock (S.L.) to release outfeedtable adjustment lever as shown in **FIG. 24**.

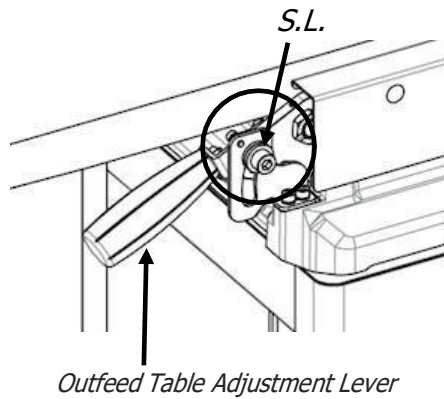
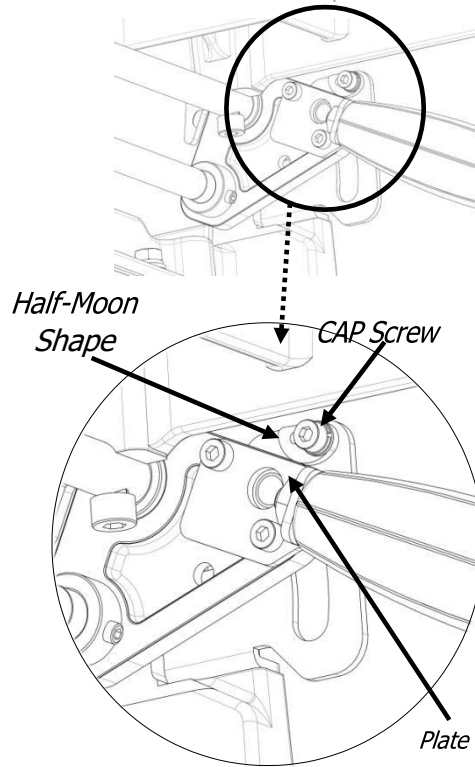


Figure 24: Screw Lock (S.L)

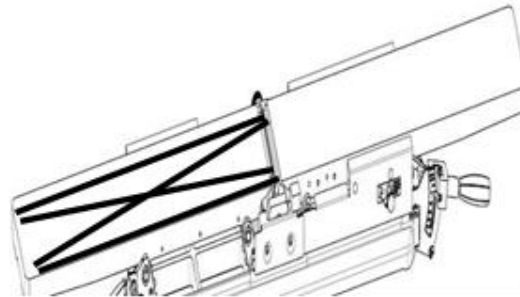
**STEP 4:** Loosen cap screw on the back (inside) of the outfeed table adjustment lever as shown in **FIG. 25**. Lower the outfeed table to adjust the straight-edge level with the top dead center of the knife inserts as in **FIG. 23**.

**NOTE:** When the half-moon shape of the CAP screw indicator touches the plate, it results in the lowest position of the outfeed table and is a reference to the top-dead-center of the inserts.



**FIG. 25:** Back View of Outfeed Table Adjustment

**STEP 5:** Place a straight edge in positions shown in FIG. 26 to make sure outfeed table is parallel with the cutterhead.



**Figure 26: Checking Infeed Table**

**STEP 6:** If the outfeed table is not parallel to the cutter head; loosen the set screws for the eccentric bushings **FIG. 38**. Rotate the eccentric bushing(s) to adjust the outfeed table parallel to the cutter head. Make sure eccentric bushings are seated and tighten set screws.

**Step 7:** Confirm outfeed table is flush with cutter head (insert knives at top-dead-center). Tighten lock when adjusted. If straight edge does not rest flat on outfeed table, repeat STEP 4. If it sits flat on outfeed, go to Infeed Table to check the parallelism of infeed table.

#### **Infeed Table:**

**STEP 1:** Before checking parallelism on infeed table, confirm the outfeed table is parallel and flush with insert tips at top-dead-center.

**STEP 2:** Place straight edge across infeed and outfeed tables as in **FIG. 27**. If inserts interfere with straight edge, rotate the cutterhead.

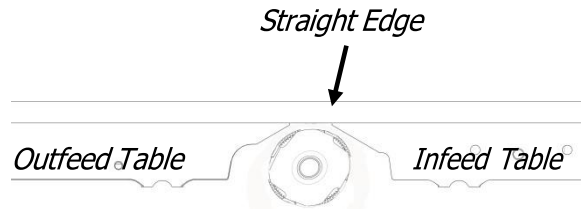


Figure 27: Straight Edge

**STEP 3:** Place straight edge in position shown in **FIG. 28**.

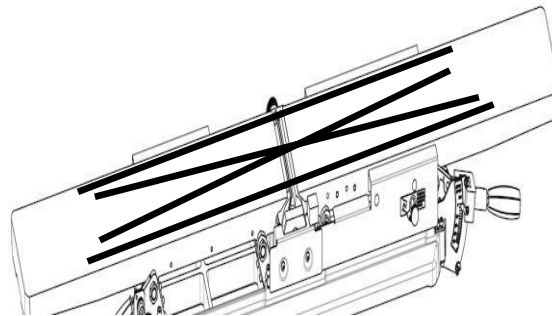


Figure 28: Checking Bed Alignment

**STEP 4:** If straight edge lies uniformly flat against both infeed and outfeed tables in all positions; re-install fence, blade guard and rear access panel. If it does not fit uniformly flat against both infeed tables and outfeed tables in any position, go to [Table Parallelism Adjustment](#).

**STEP 5:** After verifying the parallelism on the outfeed table, make sure the eccentric bushing(s) are seated snugly and tighten set screw(s) into eccentric bushing(s)

**FIG. 38.**

**STEP 6:** Remove infeed table depth stop release knob and infeed table cover, loosen set screws and place straight edge across infeed and outfeed tables as in **FIG. 40**, and adjust eccentric bushings under infeed table as STEP 4 for outfeed table.

#### **Table Parallelism Adjustment:**

When the infeed table is not parallel with the outfeed table, it can be adjusted. **NOTE:** This adjustment needs to be done very precisely and typically does not require re-adjustment once set.

Before following the steps below, double check the alignments as shown in [Infeed Table](#) to be certain that table adjustment is required.

**STEP 1:** Place a straight edge on outfeed table over the cutterhead and slightly touching the cutterhead body as shown in **FIG. 29**.

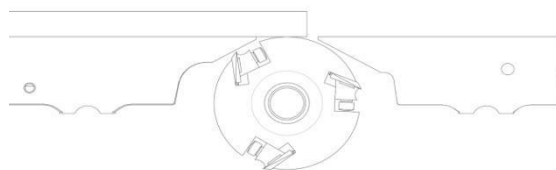


Fig.29: Straight Edge

**STEP 2:** Remove the plugs and loosen CAPscrews to release and remove outfeed tablecover as in **FIG. 30**.

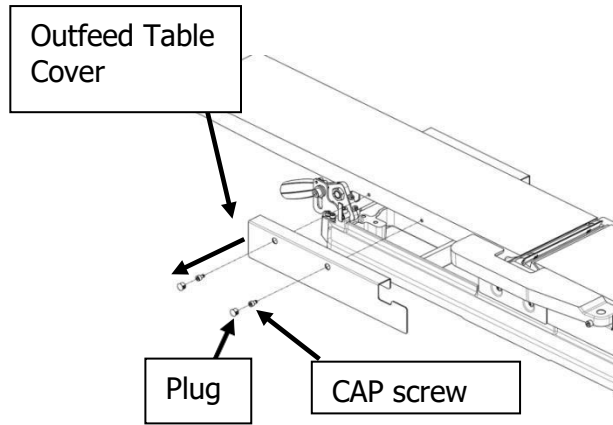


Fig. 30: Cover

**STEP 3:** Loosen set screws as shown in FIG. 31.

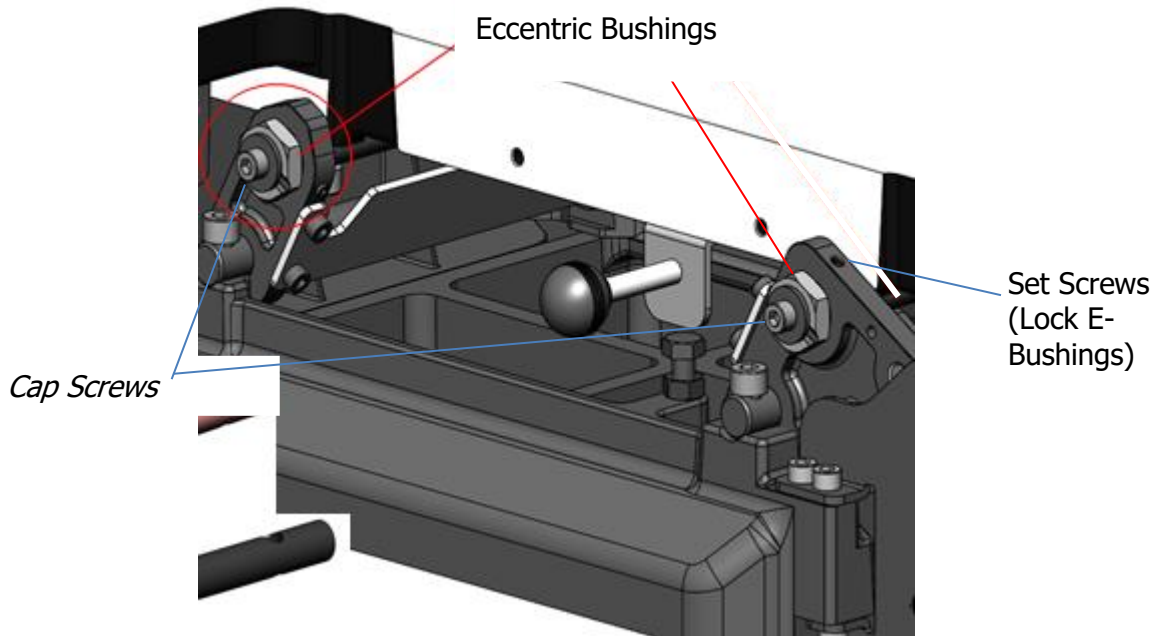


Fig 31: Eccentric Bushings, Cap Screws & Set Screws



**STEP 4:** Place straight edge to all the positions shown in **FIG. 32** and loosen set screw(s) adjust the eccentric bushings, as in **FIG. 31**, until straight edge slightly touches the cutterhead insert knife (at top-dead-center) at each position.

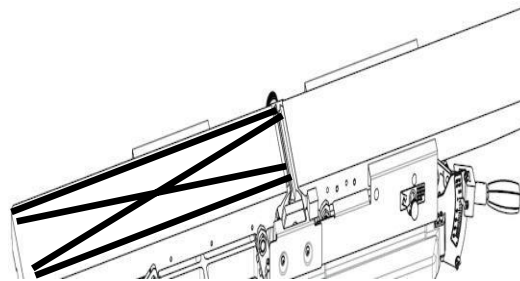


Figure 32: Checking table

**STEP 5:** After verifying the parallelism on the outfeed table, make sure the eccentric collars are seated snugly, into its bracket, and tighten cap screws with washers and then tighten set screws into eccentric bushings (Fig. 31).

**STEP 6:** Remove infeed table "depth stop release knob" and infeed table cover, loosen set screws and place straight edge across infeed tables as in Fig. 33, and adjust eccentric bushings under infeed table (as in Step 4) for outfeed table.

**STEP 7:** Verify parallelism in each position as in Fig. 33 confirm eccentric bushings are snug and tighten cap screws and then set screws in eccentric bushings on infeed table.

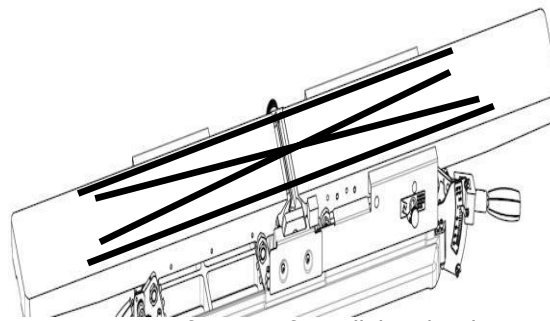


Figure 33: Verification of parallelism/coplanar

**STEP 8:** Tighten cap screws and set screws in eccentric brushings under infeed table.

**STEP 9:** Re-install table covers and infeed table depth stop release knob.

**NOTE:** Confirm the Eccentric Bushings are fully seated (hex collar pushed snug into bracket) and cap screws are tight, before tightening set screws. This prevents excessive play and side-to-side bed movement.

# Troubleshooting

Symptom	Possible Cause	Possible Solution
MACHINE WILL NOT START	<ol style="list-style-type: none"> <li>1. FUSE BLOWN OR CIRCUIT BREAKER TRIPPED</li> <li>2. CORD DAMAGED</li> <li>3. NOT CONNECTED TO POWER SOURCE</li> <li>4. CONNECTED TO WRONG VOLTAGE</li> <li>5. EMERGENCY STOP BUTTON PRESSED</li> </ol>	<ol style="list-style-type: none"> <li>1. REPLACE FUSE OR RESET CIRCUIT BREAKER</li> <li>2. HAVE CORD REPLACED</li> <li>3. CHECK CONNECTION</li> <li>4. CHECK VOLTAGE</li> <li>5. ROTATE EMERGENCY STOP BUTTON CLOCKWISE UNTIL IT POPS OUT</li> </ol>
CUTTERHEAD DOES NOT COME UP TO SPEED	<ol style="list-style-type: none"> <li>1. LOW CURRENT</li> <li>2. MOTOR NOT WIRED FOR CORRECT VOLTAGE</li> </ol>	<ol style="list-style-type: none"> <li>1. CONTACT LOCAL ELECTRIC COMPANY</li> <li>2. REFER TO MOTOR NAMEPLATE FOR CORRECT VOLTAGE</li> </ol>
WORKPIECE DIFFICULT TO PUSH	<ol style="list-style-type: none"> <li>1. TOO MUCH MATERIAL BEING REMOVED IN ONE PASS</li> <li>2. DULL KNIVES</li> </ol>	<ol style="list-style-type: none"> <li>1. REDUCE THE AMOUNT OF MATERIAL BEING REMOVED</li> <li>2. ROTATE OR REPLACE KNIVES</li> </ol>
SNIPE	<ol style="list-style-type: none"> <li>1. MATERIAL NOT SUPPORTED PROPERLY AS IT EXITS OUTFEED TABLE</li> <li>2. OPERATOR PUSHING DOWN ON TRAILING END OF MATERIAL</li> <li>3. OUTFEED TABLE TOO LOW</li> </ol>	<ol style="list-style-type: none"> <li>1. SUPPORT MATERIAL FOR ENTIRE CUT</li> <li>2. ELIMINATE DOWNWARD PRESSURE ON TRAILING END</li> <li>3. ADJUST OUTFEED TABLE LEVEL WITH CUTTERHEAD ACHIEVED</li> </ol>
FUZZY GRAIN	<ol style="list-style-type: none"> <li>1. WOOD WITH A HIGH MOISTURE CONTENT</li> <li>2. DULL KNIFE INSERT(S)</li> </ol>	<ol style="list-style-type: none"> <li>1. ALLOW WOOD TO DRY PROPERLY</li> <li>2. ROTATE OR REPLACE</li> <li>3. KNIFE INSERT(S)</li> </ol>
LINE(S) OR RIDGES IN FINISHED SURFACE	<ol style="list-style-type: none"> <li>1. NICKED OR DAMAGED KNIFE INSERT(S)</li> </ol>	<ol style="list-style-type: none"> <li>1. ROTATE OR REPLACE</li> <li>2. KNIFE INSERT(S)</li> </ol>

## Dust Collection

To ensure proper operation and longest knife life it is important to maintain full air flow to your dust collection system. Make sure the filter media is clean and there are no obstructions in the ducting or hoses.

# Wiring

## ⚠ WARNING

REVIEW [ELECTRICAL SAFETY](#) PRIOR TO ANY WIRING PROCEDURES.

### MJ8X72E-0130

VOLTAGE	220V
---------	------

PHASE	1PH
-------	-----

HERTZ	60Hz
-------	------

FULL LOAD AMPERAGE	12 Amp
--------------------	--------

**⚠ WARNING!** Below are RECOMMENDATIONS to be used for this machine based on the above information. Variables that may affect this are:

- Actual voltage supplied to the machine
- Electrical code that must be met in your local province.

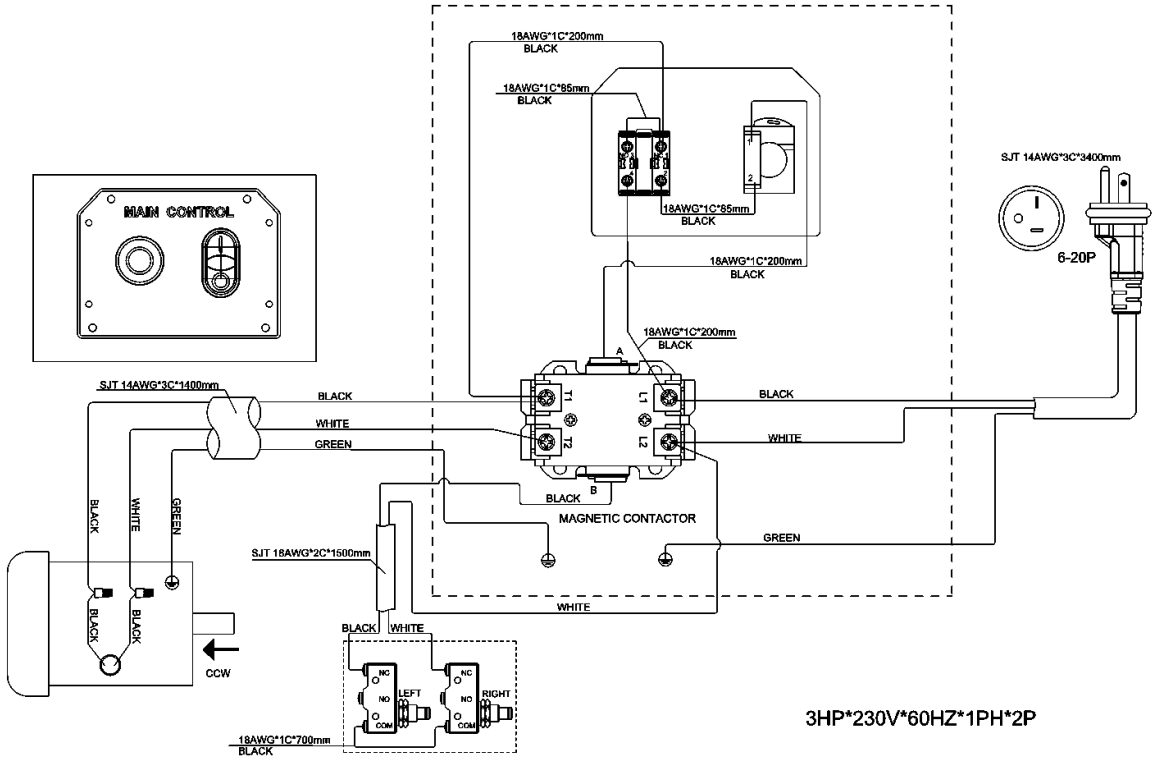
An electrician will verify that all the demands are met to properly wire the machine. If you have absolutely any doubt when wiring this machine - please consult with a qualified electrician.

PLUG/RECEPTACLE	220V
-----------------	------

WIRING (Gauge)	See Jacket Printing
----------------	---------------------

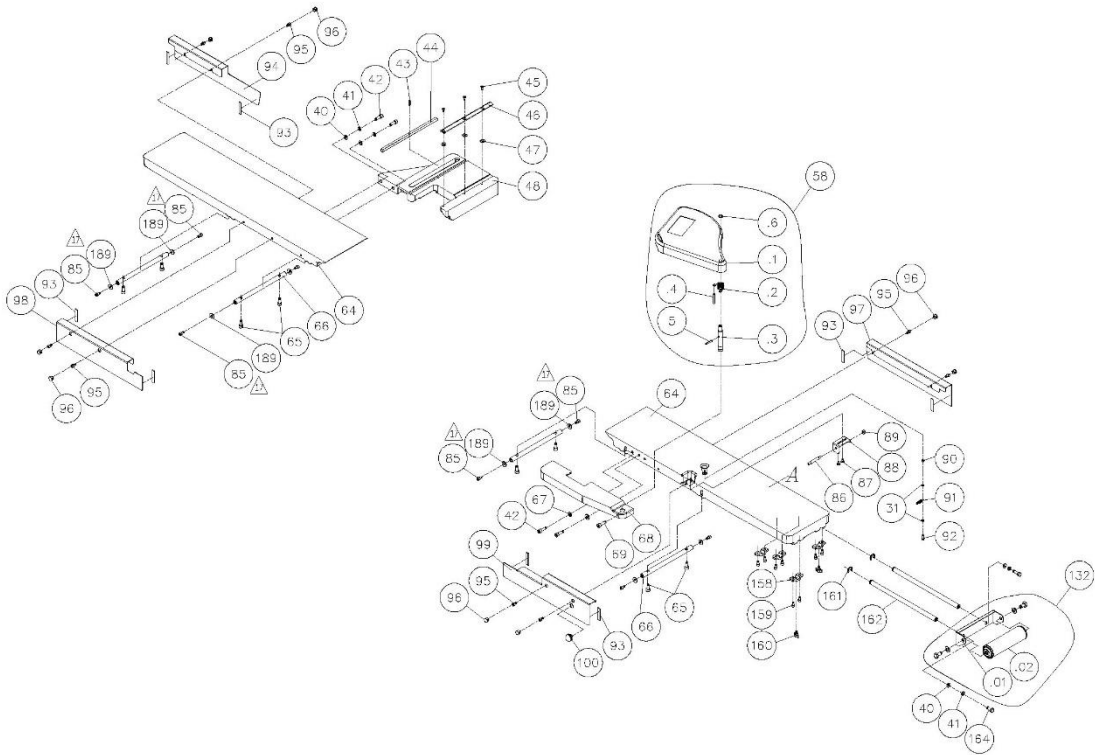
CIRCUIT BREAKER	20 Amp
-----------------	--------

# JX|8 ShearTec: II MJ8X72P-0130

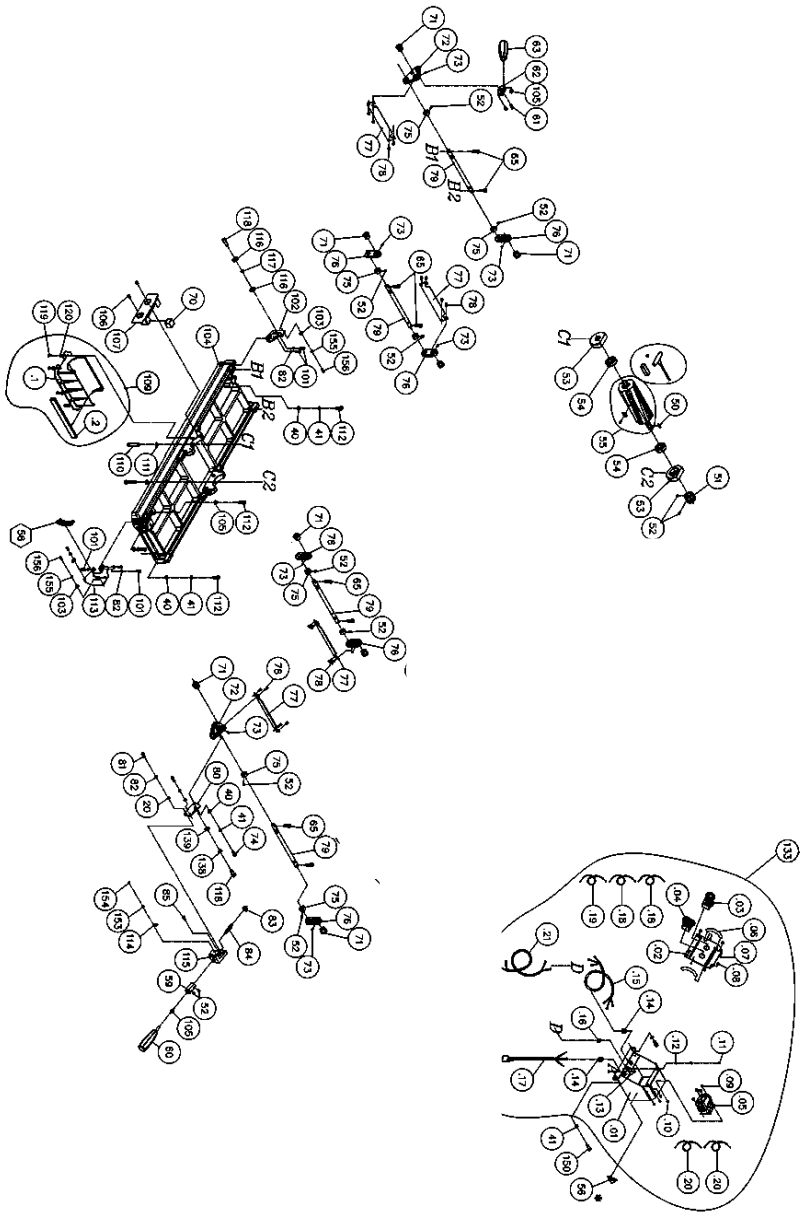


# JX8 Sheartec:II Parts

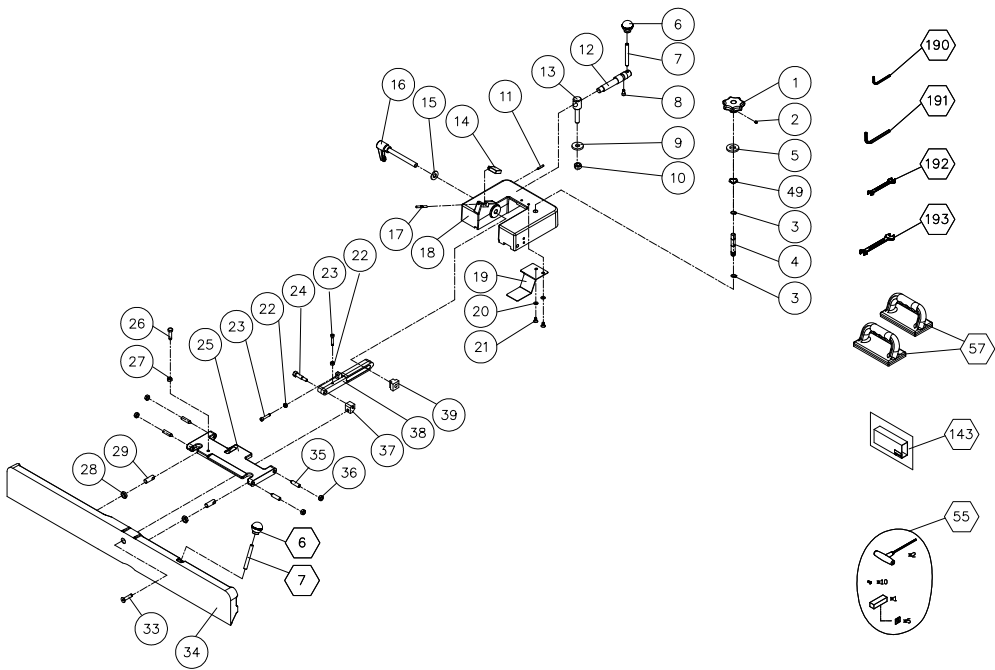
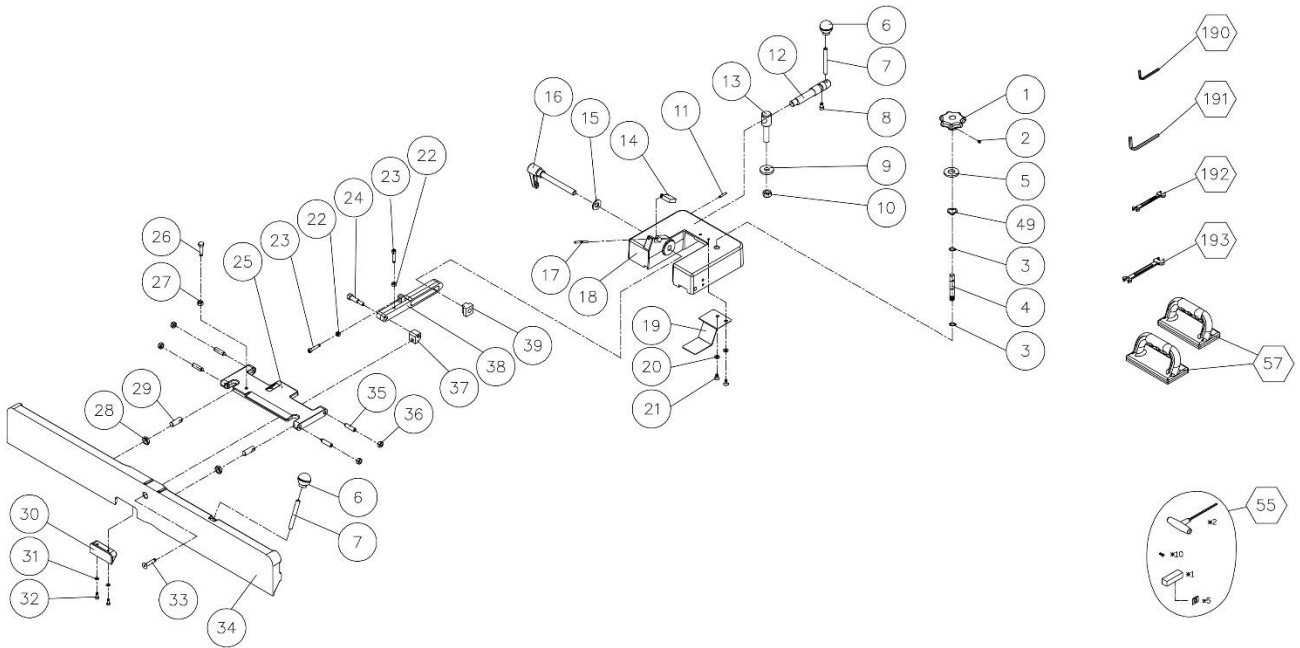
## Tables & Components



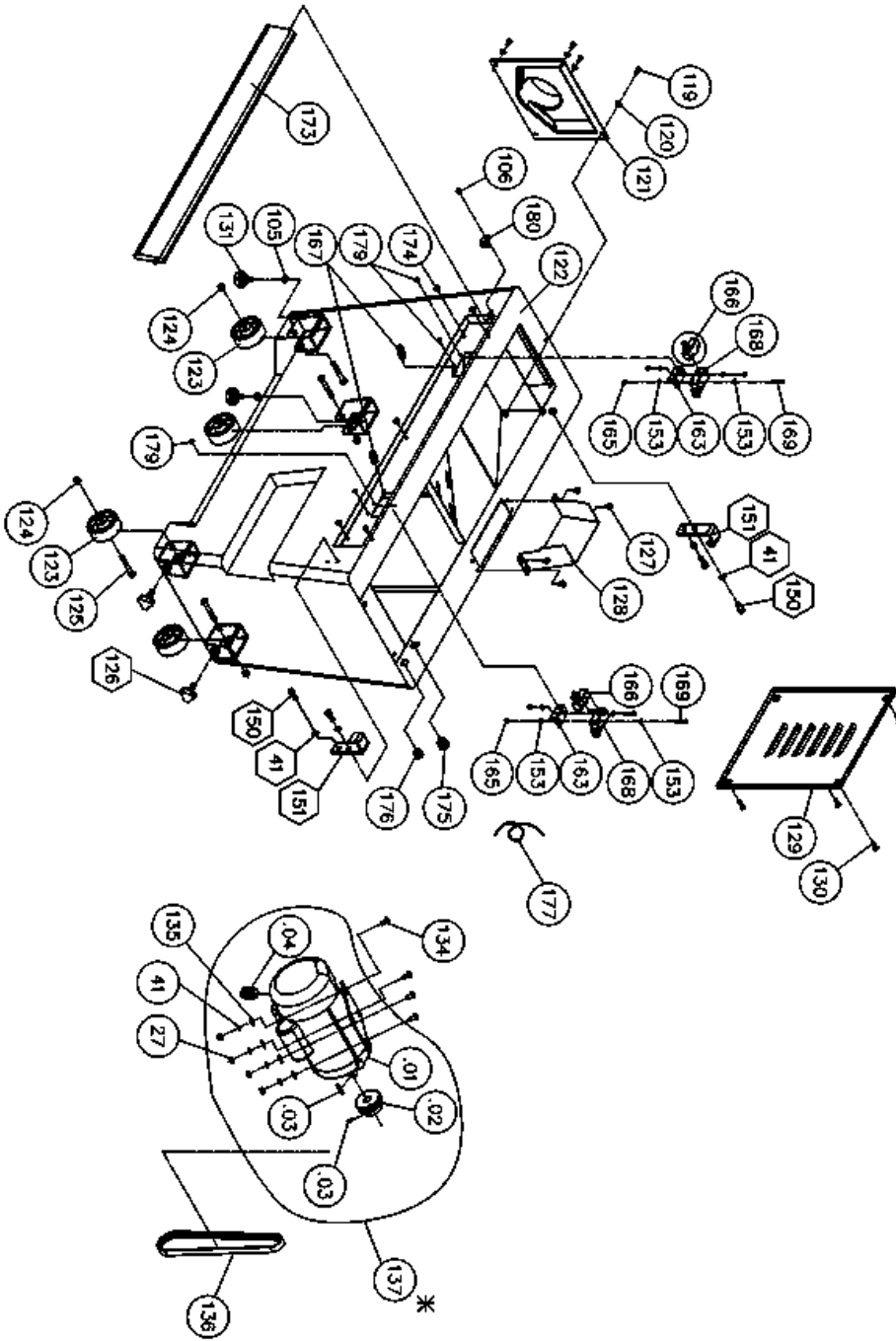
# Cutterhead & Drivetrain



# Fence



### Stand & Motor





<u>REF NO</u>	<u>PART NUMBER</u>	<u>DESCRIPTION</u>	<u>SPECIFICATION</u>	<u>QTY</u>
1	240080-904	HANDWHEEL		1
2	001902-109	SET LOCK SCREW		1
3	010003-000	RETAINING RING	STW-12	2
4	381336-901	LEAD SCREW		1
5	006001-087	FLAT WASHER	12x25x1.5	1
6	250372-615	FENCE TILT KNOB		2
7	360038-901	HANDLE ROD		2
8	003103-102	CAP SCREW	¼-20 x 1/2"	2
9	172285-905	FLAT WASHER	12x35x5.0	1
10	009104-200	LOCK NUT	½-12 (19X15)	1
11	011002-106	SPRING PIN	4x25	1
12	360074-901	CRANK SHAFT		1
13	360075-901	CLAMPING SCREW		1
14	130019-903	STOP PLATE		1
15	006001-091	FLAT WASHER	13-28x3.0	1
16	230035-000	UNIVERSAL HANDLE		1
17	360078-000	PIN		1
18	051332-196	FENCE BRACKET, UPPER		1
19	170127-901	SAFETY PLATE		1
20	006001-032	FLAT WASHER	6.6x13x1.0	4
21	003403-102	FLAT HEAD PHILLIPS SCREW	¼-20x1/2"	2
22	009004-200	HEX NUT	¼-20 (11x5.5)	2
23	003103-104	CAP SCREW	¼-20x1-1/4"	2
24	290007-901	BOLT		1
25	051313-196	TILT PLATE		1
26	003003-106	HEX SCREW	5/16-18x1-1/4"	1
27	009005-200	HEX NUT	5/16"-18 (12.7X6.75)	3
28	009010-100	HEX NUT	½-20 (19.05x6.35)	2
29	360676-901	PIVOT STUD		2
30	250462-615	WEAR PLATE		1
31	006001-009	FLAT WASHER	5.2x10x1.0	2
32	000101-103	CAP SCREW	M4-0.7x12	
33	003602-101	FLAT HEAD HEX SCREW	5/16-18x1-1/2"	1
34	051310-196	FENCE		1
35	230015-901	BOLT		4
36	009022-100	HEX NUT	3/8-16 (13.83x6.68)	4
37	130008-903	CONNECTING BLOCK		1
38	051334-196	FIXING ROD		1
39	130383-903	SQUARE NUT	1/2-12	1
40	006001-049	FLAT WASHER	8.5X16X2.0	8
41	006305-100	LOCK WASHER	8.2X13.7	18
42	000104-108	CAP SCREW	M8X1.25X25	4
43	011002-105	SPRING PIN	4x20	1
44	380082-902	KEY		1

REF NO	PART NUMBER	DESCRIPTION	SPECIFICATION	QTY
45	000701-103	FLAT HEAD HEX SCREW	M5-0.8x12	3
46	171841-902	LEAD SCREW		1
47	006001-034	FLAT WASHER	6.7x16x2.0	3
48	051355-196	FENCE BRACKET		1
49	006722-100	WAVE WASHER	WW-19 (19.05x26)	1
50	012003-008	KEY	5X5X22	1
51	381409-902	PULLEY	7 SLOTS	1
52	001902-102	SET LOCK SCREW	M6X1.0X8	11
53	050095-901	BEARING HOUSING		2
54	030208-002	BALL BEARING	6204	2
55	922842-001	SHEARTECII CUTTERHEAD		1
	038201-702	TORX SCREW	10-32x12.5	54
	040703-000	TORX WRENCH	T-25	2
OP	922841-001	INSERTS	10PCS/BOX	1
57	250035-629	PUSH BLOCK		2
58	924821-001	CUTTERHEAD GUARD ASSEMBLY		1
59	381428-902	BUSHING		1
60	230191-000	MITER GAUGE HANDLE		1
61	000102-104	CAP SCREW	M5X0.8X12	2
62	174786-904	PLATE		1
63	230141-615	HANDLE		1
64	051460-000	TABLE		2
65	002601-107	CAP LOCK SCREW	M8X1.25X25	16
66	361239-902	SUPPORT SHAFT		4
67	006001-163	FLAT WASHER	8.5X19X3	2
68	051358-000	RABBET ARM		1
69	003104-104	CAP SCREW	5/16"-18X1"	1
70	200105-615	SPONGE	30X30X22 (LXWXH)	1
71	130350-903	BUSHING		8
72	130351-903	CONNECTING ROD PLATE		2
73	001901-102	SET LOCK SCREW	M5X0.8X8	8
74	000104-104	CAP SCREW	M8X1.25X16	1
75	361241-902	BUSHING		8
76	130352-903	ROD PLATE		6
77	174604-000	FIXING ROD PLATE		4
78	002603-101	CAP LOCK SCREW	M5X0.8X10	16
79	361326-902	ROD		4
80	174784-904	FIXING PLATE		1
81	000103-108	CAP SCREW	M6X1.0PX25	2
82	006303-100	LOCK WASHER	6.5X10.5	11
83	130393-903	INCLINED BLOCK		1

REF NO	PART NUMBER	DESCRIPTION	SPECIFICATION	QTY
84	361370-902	HANDLE SHAFT BOLT		1
85	002602-101	CAP LOCK SCREW	M6X1.0X12	1
86	361327-902	HANDLE SHAFT BOLT		1
87	290028-901	SHOULDER SCREW		2
88	174603-902	FIXING PLATE		1
89	009103-100	LOCK NUT	1/4"-20NC (11BX8H)	1
90	008004-100	HEX NUT	M5X0.8(8BX4H)	1
91	280082-000	TENSION SPRING		1
92	000102-116	CAP SCREW	M5X0.8X15	1
93	200024-615	PACKING		8
94	174600-000	REAR BASE COVER - L		1
95	000103-102	CAP SCREW	M6X1.0X10	8
96	042505-000	CORD PLUG	HP-13	8
97	174601-000	REAR BASE COVER - R		1
98	174599-000	FRONT COVER - L		1
99	174781-000	FRONT COVER - R		1
100	230156-615	KNOB PLUNGER	22X1/4"-20NC	1
101	000103-105	CAP SCREW	M6X1.0X15	5
102	174787-904	LOCKING PLATE - L		1
103	174785-904	FIXING PLATE		3
104	051441-000	BASE		1
105	008006-100	HEX NUT	M8X1.25 (13BX6.5H)	6
106	000801-101	ROUND HEAD HEX. SCREW	M6X1.0X10	3
107	174597-000	CUTTERHEAD FRONT COVER		1
108	175040-156	POINTER		1
109	924665-001	CHIP HOOD ASSEMBLY		1
110	003111-301	CAP SCREW	3/8-24X2"	2
111	006306-100	LOCK WASHER	9.8X17.8	2
112	000003-105	HEX SCREW	M8X1.25X25	4
113	174783-904	LOCKING PLATE - R		1
114	174782-156	POINTER		1
115	310548-911	FIXED BLOCK		1
116	006003-080	FLAT WASHER	10.5X23X3.0	2
117	006703-100	WAVE WASHER	WW-10	1
118	000105-101	CAP SCREW	M10X1.5X20	2
119	000304-203	PAN HEAD SCREW	M6X1.0X12	8
120	006002-032	FLAT WASHER	6.6X13X1.0	8
121	250052-615	DUST CHUTE		1
122	174937-000	STAND		1
123	250399-615	WHEEL		4
124	008306-100	LOCK NUT	M8X1.25 (13BX9H)	4
125	000003-313	HEX SCREW	M8X1.25X60	4

REF NO	PART NUMBER	DESCRIPTION	SPECIFICATION	QTY
126	230388-000	TRIANGLE KNOB		2
127	001603-102	ROUND HEAD PHILLIPS SCREW W/WASHER	M6X1.0X10/6X13.2X1.0	4
128	174595-000	PULLEY COVER		1
129	170445-000	COVER		1
130	000403-104	FLAT HEAD PHILLIPS SCREW	M6X1.0X20	4
131	230049-000	FOOT		2
132	925094-001	EXTENSION ROLLER ASSEMBLY	8"	1
133	950807-001	CONTROL BOX ASSEMBLY	208-240V	1
.1	174936-196	CONTROL BOX	LAGUNA	1
.2	575288-000	SWITCH PLATE	LAGUNA	1
.3	491153-000	EMERGENCY STOP SWITCH	NPB22-H01R	1
.4	491223-000	POWER SWITCH	M22DP-SF11WB	1
.5	491140-000	CONTACTOR	SF20C2B(208-240V)	1
.6	300117-909	SWITCH GUARD		2
.7	000301-101	PAN HEAD SCREW	M3X0.5X6	4
.8	000804-101	ROUND HEAD HEX SCREW	M5X0.8X8	4
.9	001601-101	ROUND HEAD PHILLIPS SCREW W/WASHER	M4X0.7X8/4X10X0.8	4
.10	008103-100	HEX CUP NUT	M4X0.7	4
.11	000302-101	PAN HEAD SCREW	M4X0.7X6	1
.12	006501-100	WASHER, INT/TOOTH	4.3X8.5 (BW-4)	1
.13	570695-000	GROUNDING LABEL		1
.14	020005-000	STRAIN RELIEF	SB8R-3	2
.15	473003-067	CONNECT CORD	SJT14AWG/3C/1400MM	1
.16	020008-000	STRAIN RELIEF	SBR5-2	1
.17	453151-009	POWER CORD	SJT14AWG/3C/3400MM	1
.18	471001-001	CONNECT CORD	18AWG/1C/85MM	2
.19	471037-109	CONNECT CORD	18AWG/1C/200MM	1
.20	471037-110	CONNECT CORD	18AWG/1C/200MM	2
.21	472001-054	CONNECT CORD	SJT18AWG/2C/1500MM	1
134	003801-107	CARRIAGE BOLT	5/16"-18X3/4"	4
135	006001-053	FLAT WASHER	8.5X19X2.0	4
136	014361-000	POLY-V-BELT	300J-7	1
137	901272-000	MOTOR ASSEMBLY	3HP/230V/60HZ/1PH	1
.2	381410-902	MOTOR PULLEY	7 SLOTS	1
.3	001902-102	SET LOCK SCREW	M6X1.0X8	1
.4	021363-000	STRAIN RELIEF	MGB16-10B-ST	1
138	006307-100	LOCK WASHER	10.2X18.5	1
139	006001-069	FLAT WASHER	10X20X3.0	1
150	000104-106	CAP SCREW	M8X1.25X20	6

REF NO	PART NUMBER	DESCRIPTION	SPECIFICATION	QTY
151	174695-902	HOOK		2
153	006001-001	FLAT WASHER	4.3X10X1.0	9
154	000302-101	PAN HEAD SCREW	M4X0.7X6	2
155	006502-100	WASHER, INT/TOOTH	5.3X10 (BW-5)	3
156	000102-103	CAP SCREW	M5X0.8X10	9
158	130405-903	BUSHING BLOCK		4
159	000103-103	CAP SCREW	M6X1.0X12	8
160	250705-000	WING SCREW	M6X1.0	2
161	010208-000	RETAINING RING	ETW-12	2
162	361435-902	EXTENSION ROD		2
163	174932-000	LIMIT SWITCH BRACKET		2
164	000003-104	HEX SCREW	M8X1.25X20	2
165	008301-200	LOCK NUT	M4X0.7 (7BX5H)	4
166	491101-000	LIMIT SWITCH	MJ2-1307	2
167	280274-000	SPRING		2
168	490229-615	LIMIT SWITCH COVER	KSSCB-2	2
169	000101-110	CAP SCREW	M4X0.7X30	4
173	174939-156	EMERGENCY STOP PLATE		1
174	340007-615	BLOCK		5
175	020005-000	STRAIN RELIEF	SB8R-3	1
176	020008-000	STRAIN RELIEF	SBR5-2	1
177	471037-103	CONNECT CORD	18AWG/1C/700MM	1
179	002401-101	ROUND HEAD PHILLIPS LOCK SCREW W/WASHER	M4X0.7X12/4X10X0.8	4
180	174955-904	LIMIT PLATE		1
181	310573-911	FENCE		1
182	175036-904	FENCE END CAP-R		1
190	040003-000	HEX WRENCH	3MM	1
191	040006-000	HEX WRENCH	6MM	1
192	040201-000	OPEN WRENCH	8/10MM	1
193	040203-000	OPEN WRENCH	11/13MM	1

# WARRANTY & REGISTRATION

## THANK YOU!

Welcome to the Laguna Tools® group of discriminating woodworkers. We understand that you have a choice of where to purchase your machines and appreciate the confidence you have in the Laguna Tools® brand.

Through hands-on experience, Laguna Tools® is constantly working hard to make innovative, precision products. Products that inspire you to create works of art, are a joy to operate, and encourage your best work.

Laguna Tools®  
Imagination, Innovation, and Invention at Work

## WARRANTY & REGISTRATION

Every product sold is warranted to be free of manufacturers' defective workmanship, parts, and materials. For any questions about this product, the intended use or what it was designed for, customer service, or replacement parts, please contact our customer service department:

Laguna Tools® Customer Service  
2072 Alton Parkway, Irvine, California 92606, USA  
1-800-332-4049  
customerservice@lagunatools.com  
www.lagunatools.com/why/customer-service/  
8AM. to 5PM PST, Monday through Friday

For warranty claims or to report damage upon receiving – please reach out to our warranty department:

Laguna Tools® Warranty Service  
2072 Alton Parkway, Irvine, California 92606, USA  
1-949-474-1200  
customerservice@lagunatools.com  
www.lagunatools.com/policies/warranty  
8AM to 5PM PST, Monday through Friday

### REGISTRATION

To prevent voiding this warranty, all products sold must be registered within thirty (30) days of receiving the product. Registering the product will enable the original purchaser to receive notifications about important product changes, receive customer service, and be able to file a warranty claim against defective workmanship, parts, or materials.

### WHO IS COVERED

The applicable warranty covers only the initial purchaser of the product from the date of receiving the product. To file such claims, the original purchaser must present the original receipt as proof of purchase.

### WHAT IS COVERED

The warranty covers any defects in the workmanship of all parts and materials that make up the machine unless otherwise specified. Any part, determined by Laguna Tools®, to have a defect will be repaired or replaced (and shipped), without charge. The defective item/part must be returned to Laguna Tools® with the complaint and proof of purchase in the original packaging that it was received in. In the event the item/part is determined to be not covered by this warranty, the customer will be responsible for the cost to replace the item/part and all related shipping charges.

### WARRANTY LIMITATIONS

This limited warranty does not apply to natural disasters, acts of terrorism, normal wear and tear, product failure due to lack of maintenance or cleaning, damage caused by accident, neglect, or lack-of inadequate dust collection. The warranty may be voided against proof of misuse/abuse, damage caused where repair or alterations have been made or attempted by others, using the product for purposes other than those described as intended use (unless with consent by Laguna Tools®), modification to the product, or use with an accessory that was not designed for the product. It is the responsibility of the user to understand basic woodworking machinery settings and procedures and to properly maintain the equipment in accordance with the standards provided in this manual.

### LENGTH OF WARRANTY

All new machines and optional accessories sold through an authorized dealer carry a two-year warranty effective the date of receiving the product. Machines sold for either commercial or industrial use have a one-year warranty. Wearable parts like throat plates, bandsaw guides, etc., have a ninety-day warranty.

**Table A-1 Warranty Lengths**

2 Year – New Machines Sold Through an Authorized Dealer

2 Year – Accessories Sold as Machine Options (excluding blades)

1 Year – Machines Sold for Commercial or Industrial Use

1 Year – Blades and Accessories outside of Machine Options

90 Days – Wearable Parts

Aside from being free of defects upon receiving, consumable parts, like cutters and abrasives, are not covered by this warranty unless otherwise stated by Laguna Tools®. These parts are designed to be used at the expense of the operator and are available for replacement or inventory purchase. The determination of a consumable part will be made on a case-by-case basis by Laguna Tools®.

### SHIPPING DAMAGE

Laguna Tools® is not responsible for damage or loss caused by a freight company or other circumstances not in the direct control of Laguna Tools®. All shipping-related claims for loss or damage goods must be made to Laguna Tools within twenty-four hours of delivery.

### HOW TO RECEIVE SUPPORT

To file a warranty-claim please contact the warranty department at 1-949-474-1200. To receive customer service or technical support please contact the customer service department at 1-800-332-4094. Parts, under warranty, are shipped at the expense of Laguna Tools® either by common carrier, FedEx ground services or similar method. Technical support to install replacement parts is primarily provided by phone, fax, email, or the Laguna Tools Customer Support Website.

REGISTER HERE!



<https://lagunatools.com/policies/warranty/>

# LAGUNA

**LAGUNA AMERICAN HEADQUARTERS**

Texas: 744 Refuge Way Suite 200, Grand Prairie, Texas 75050, U.S.A. Phone: +1-800-332-4094  
Huntington Beach: 7291 Heil Ave Huntington Beach, CA 92647, U.S.A. Phone: +1-949-474-1200  
South Carolina: 825 Bistline Dr. Ste 101, West Columbia, SC 29172, U.S.A. Phone: +1-800-234-1976  
Minnesota: 5250 West 74th St, Edina, MN 55439, U.S.A Phone: +1-949-474-1200

**DAKE CORPORATION**

724 Robbins Road, Grand Haven, MI 49417, United States +1-800-937-3253

**LAGUNA EUROPE**

Walker Rd, Bardon Hill, Coalville LE67 1TU, United Kingdom. Phone: +44-1530-516921