

# LAGUNA

## OWNERS'S MANUAL

### JX6 & JX8 Quad-Tec JOINTERS



Thank you for investing in a jointer by Laguna Tools. This jointer is one of a family of unique machines proudly offered by Laguna Tools. Every Laguna machine is engineered for years of dependable service. Please feel free to contact Laguna Tools if you have a question or suggestion. We appreciate working with you and your choice of a Laguna Tools machine for your shop.

Regards,  
Torben Helshoj  
President & Founder Laguna Tools

### Dealer Machinery Warranty

New woodworking machines sold by Laguna Tools carry a two-year warranty effective from the date of dealer invoice to consumer. Machines sold through dealers must be registered with Laguna Tools within 30 days of purchase to be covered by this warranty. Laguna Tools guarantees all new machine sold to be free of manufacturers' defective workmanship, parts and materials. We will repair or replace, without charge, any parts determined by Laguna Tools, Inc. to be a manufacturer's defect. We require that the defective item/part be returned to Laguna Tools with the complaint. An RMA (return merchandise authorization) must be requested, from Laguna Tools, and included with any and all parts or machines returned to Laguna Tools for warranty consideration. Any machines returned to Laguna Tools must be returned with packaging in the same manner in which it was received. If a part or blade is being returned it must have adequate packaging to ensure no damage is received during shipping. In the event the item/part is determined to be damaged due to lack of maintenance, cleaning or misuse/abuse, the customer will be responsible for the cost to replace the item/part, plus all related shipping charges. This limited warranty does not apply to natural disasters, acts of terrorism, normal wear and tear, product failure due to lack of maintenance or cleaning, damage caused by accident, neglect, lack of or inadequate dust collection, misuse/abuse or damage caused where repair or alterations have been made or attempted by others.

This manual applies to the JX6 & JX8 ECO, 110 volt jointers. Enter the model number and serial number below for quick reference when ordering accessories, supplies or parts. NOTE: The model and serial number plate can be found on back or side of the jointer.

Model: \_\_\_\_\_

Serial: \_\_\_\_\_

Laguna Tools  
Grand Prairie

800-234-1976

744 Refuge Way Suite 200  
TX 75050

[www.lagunatools.com](http://www.lagunatools.com)

# CONTENTS

Warranty:	02
Safety:	04
Important Safety Instructions	05
Jointer Safety	09
Electrical:	10
Safety	10
Power Requirements	11
Wiring Diagrams	12-13
Unpacking:	13
Components:	15
Assembly:	16
Power Supply:	24
Connecting Power 110V	24
220 Volt Conversion	25
Adjustments:	27
Operation:	38
Maintenance:	39
Troubleshooting:	42
Exploded Views JX6:	44
Exploded Views JX8:	52
Parts List JX6:	47
Parts List JX8:	56
Specifications:	62
Supplies:	62

# SAFETY

READ AND UNDERSTAND THIS MANUAL AND ALL INSTRUCTIONS BEFORE USING THIS EQUIPMENT. Failure to follow all instructions may result in electric shock, fire and/or serious personal injury or property damage! Electronic copies of this manual are available at [www.lagunatools.com](http://www.lagunatools.com).

## SAFETY GUIDELINES - DEFINITIONS

This manual contains information that is important for you to know and understand. This information relates to protecting YOUR SAFETY and PREVENTING EQUIPMENT PROBLEMS. To help you recognize this information, we use the symbols below. Please read the manual and pay attention to these sections.



Indicates an imminently hazardous situation which, if not avoided, **will** result in death or serious injury.



Indicates a potentially hazardous situation which, if not avoided, **could** result in death or serious injury.



Indicates a potentially hazardous situation which, if not avoided, **may** result in minor or moderate injury.

**CAUTION**

(Used without the safety alert symbol) indicates a potentially hazardous situation which, if not avoided, **may** result in property damage.

Woodworking, metalworking, composites, etc. (and similar materials) can be dangerous if safe and proper operating procedures are not followed. As with all machinery, there are certain hazards involved with the operation of the machine. Using the machine with respect and caution will considerably lessen the possibility of personal injury. However, if normal safety precautions are overlooked or ignored, personal injury to the operator may result. Safety equipment such as guards, push sticks, hold-downs, feather-boards, goggles, dust masks and hearing protection can reduce the potential for injury. Even the best guard will not make up for poor judgement, carelessness or inattention. **Always use common sense** and exercise caution in the workshop. If a procedure feels dangerous, do not try it. Figure out an alternative procedure that is safer. **REMEMBER:** Your personal safety is your responsibility.

## Warranty Registration

Register your machine at <https://lagunatools.com/policies/warranty/>

To prevent voiding this warranty, all products sold must be registered within thirty (30) days of receiving the product. Registering the product will enable the original purchaser to receive notifications about important product changes, receive customer service, and be able to file a warranty claim against defective workmanship, parts, or materials.

## IMPORTANT SAFETY INSTRUCTIONS



This machine was designed for certain applications only. We strongly recommend that this machine not be modified and/or used for any application other than that for which it was designed. If you have any questions relative to a particular application, DO NOT use the machine until you have first contacted the manufacturer to determine if it can or should be performed on the product.

If you have any questions relative to its application DO NOT use the product until you have contacted the manufacturer and we have advised you.

When using an electrical appliance/machine, basic precautions should always be followed, including the following:

### **READ ALL INSTRUCTIONS BEFORE USING (THIS MACHINE)!**



To reduce the risk of fire, electric shock, or injury:

1. Do not leave appliance when plugged in. Unplug from outlet when not in use and before servicing.
2. Do not use outdoors or on wet surfaces
3. Do not allow to be used as a toy. Close attention is necessary when used by or near children.
4. Use only as described in this manual. Use only manufacturer's recommended attachments.
5. Do not use with damaged cord or plug. If appliance is not working as it should, has been dropped, damaged, left outdoors, or dropped into water, return it to a service center.
6. Do not pull or carry by cord, use cord as a handle, close a door on cord, or pull cord around sharp edges or corners. Do not run appliance over cord. Keep cord away from heated surfaces.
7. Do not unplug by pulling on cord. To unplug, grasp the plug, not the cord.
8. Do not handle plug or appliance with wet hands.
9. Do not put any object into openings. Do not use with any opening blocked; keep free of dust, lint, hair, and anything that may reduce air flow.
10. Keep hair, loose clothing, fingers, and all parts of body away from openings and moving parts.
11. Turn off all controls before unplugging.
12. Use extra care when cleaning on stairs.
13. Do not use to pick up flammable or combustible liquids, such as gasoline, or use in areas where they may be present.
14. Connect to a properly grounded outlet only. See Grounding Instructions.

### **SAVE THESE INSTRUCTIONS**

- 1. Read and understand the warnings posted on the machine and in this manual. Failure to comply with all of these warnings may cause serious injury!**
2. Replace the warning labels if they become obscured or removed.
3. This SuperBrush is designed and intended for use by properly trained and experienced personnel only. If you are not familiar with the proper and safe operation of this type of machine, do not use until proper training and knowledge have been obtained.

4. Do not use this machine for other than its intended use. If used for other purposes, **LAGUNA TOOLS INC.**, disclaims any real or implied warranty and holds itself harmless from any injury that may result from that use.
5. Always wear approved safety glasses/face shields while using this machine.
6. Before operating this machine, remove tie, rings, watches and other jewelry, and roll sleeves up past the elbows. Remove all loose clothing and confine long hair. Non-slip footwear or anti-skid floor strips are recommended.
7. Wear ear protectors (plugs or muffs) during extended periods of operation.
8. Some dust created by power sanding, sawing, grinding, drilling and other construction activities contain chemicals known to cause cancer, birth defects or other reproductive harm. Some examples of these chemicals are: (next page)
  - Lead from lead based paint.
  - Crystalline silica from bricks, cement and other masonry products.
  - Arsenic and chromium from chemically treated lumber.

Your risk of exposure varies, depending on how often you do this type of work. To reduce your exposure to these chemicals, work in a well-ventilated area and work with approved safety equipment, such as face or dust masks/respirators that are specifically designed to filter out microscopic particles.

9. Do not operate this machine while tired or under the influence of drugs, alcohol or any medication.
10. Make certain the switch is in the **OFF** position before connecting the machine to the power source.
11. Make certain the machine is properly grounded.
12. Make all machine adjustments or maintenance with the machine unplugged from the power source.
13. Form a habit of checking to see that all extra equipment such as adjusting keys, wrenches, scrap, stock, and cleaning rags are removed away from the machine before turning on.
14. Keep safety guards in place at all times when the machine is in use. If removed for maintenance purposes, use extreme caution and replace the guards immediately when maintenance is complete.
15. Make sure the dust collector is on a flat even surface and the wheels locked in place before use.
16. Check damaged parts. Before further use of the machine, a guard or other part that is damaged should be carefully checked to determine that it will operate properly and perform its intended function. Check for alignment of moving parts, binding of moving parts, breakage of parts, mounting and any other conditions that may affect its operation. A guard or other part that is damaged should be properly repaired or replaced.
17. Provide for adequate space surrounding work area and non-glare, overhead lighting.

- 18.Keep the floor around the machine clean and free of scrap material, oil and grease.
- 19.Keep visitors a safe distance from the work area. **Keep children away.**
- 20.Make your workshop child proof with padlocks, master switches or by removing starter keys.
- 21.Give your work undivided attention. Looking around, carrying on a conversation and “horse-play” are careless acts that can result in serious injury.
- 22.Maintain a balanced stance at all times so that you do not fall or lean against the dust collector. Do not overreach or use excessive force to perform any machine operation.
- 23.Use the right tool at the correct speed and feed rate. Do not force a tool or attachment to do a job for which it was not designed. The right tool will do the job better and safer.
- 24.Use recommended accessories; improper accessories may be hazardous.
- 25.Maintain machinery with care. Follow instructions for lubricating and changing accessories.
- 26.Turn off the machine before cleaning. Use a brush or compressed air to remove dust or debris — do not use your hands.
- 27.Do not stand on the machine. Serious injury could occur if the machine tips over.
- 28.Never leave the machine running unattended. Turn the power off and do not leave the machine until it comes to a complete stop.
- 29.Never operate or run the machine without closing the drum up against the lid. Failure to do so will result in the machine amperage increasing and may trip your circuit.

Familiarize yourself with the following safety notices used in this manual:

## **SAFETY GUIDELINES - DEFINITIONS**

This manual contains information that is important for you to know and understand. This information relates to protecting YOUR SAFETY and PREVENTING EQUIPMENT PROBLEMS. To help you recognize this information, we use the symbols, described earlier. Please read the manual and pay attention to these sections.

## **GENERAL SAFETY RULES**



**FAILURE TO FOLLOW THESE RULES MAY RESULT IN SERIOUS INJURY.**

**FOR YOUR OWN SAFETY, READ AND UNDERSTAND THE INSTRUCTION MANUAL BEFORE OPERATING THE MACHINE.** Learn the unit’s application and limitations as well as the specific hazards peculiar to it.

**KEEP WORK AREA CLEAN.** Cluttered areas and benches invite accidents.

**DON'T USE IN DANGEROUS ENVIRONMENT.** Don't use this unit in damp or wet locations, or expose it to rain. Keep work area well-lighted.

**KEEP CHILDREN AND VISITORS AWAY.** All children and visitors should be kept a safe distance from work area.

**DISCONNECT UNIT** before servicing.

**CHECK DAMAGED PARTS.** Before further use of the unit, properly repair or replace any part that is damaged.



**FAILURE TO FOLLOW THESE RULES MAY RESULT IN SERIOUS INJURY.**

## **ADDITIONAL SAFETY INFORMATION**

**Intended use.** This machine is intended for the applications discussed and approved by Laguna/SuperMax. Do not use this machine for non-approved applications or flammable, combustible, or hazardous materials.

**Hazardous dust.** Dust created while using machinery may cause cancer, birth defects, or long-term respiratory damage. Be aware of dust hazards associated with each work piece material, and always wear a NIOSH-approved respirator to reduce your risk.

**Dust allergies.** Dust from certain woods and other materials may cause an allergic reaction in people and animals. Make sure you know what type of dust you will be exposed to in case there is a possibility of an allergic reaction.

**Wear respirator.** Fine dust that is too small to be caught in the filter may be introduced into the ambient air during operation. Always wear a NIOSH-approved respirator during operation and for a short time after to reduce your risk of permanent respiratory damage.

**Disconnecting power supply.** Turn the switch off, disconnect from the power supply, and allow machine to come to a complete stop before leaving the machine unattended or doing any service, cleaning, maintenance, or adjustments.

**Suspended dust particles and ignition sources.** Do not operate in areas where explosion risks are high. Areas of high risk include, but are not limited to, areas near pilot lights, open flames, or other ignition sources.

**Fire suppression.** Only operate in locations that contain a fire suppression system or have a fire extinguisher nearby.

**Static electricity.** Plastic dust lines generate high amounts of static electricity as dust chips pass through them. Although rare, sparks caused by static electricity can cause explosions or fire. To reduce this risk, make sure all dust lines are thoroughly grounded by using a grounding wire.

**Regular cleaning.** Regularly check the machine for excessive dust and debris and clean. Make sure to regularly clean the surrounding area where the machine is operated—excessive dust buildup on overhead lights, heaters, electrical panels, or other heat sources will increase the risk of fire.



## **JOINTER SAFETY:**

Like all machines, there is danger associated with the machine. Injury is frequently caused by lack of knowledge or familiarity. Use this machine with respect. If normal safety precautions are overlooked or ignored, serious personal injury may occur.

### **1. Kickback**

"Kickback" is when the work piece is thrown off the jointer table by the cutter head. Always use push blocks and safety glasses to reduce the likelihood of injury from "kickback". The "kickback zone", is the path directly through the end of the in feed table. Never stand or allow others to stand in this area during operation. If kick back occurs, severer injury may occur.

### **2. Cutter head alignment**

To reduce the possibility of kickback, keep the top edge of the out feed table aligned with the cutter head insert at top dead center (TDC).

### **3. Push blocks**

The cutter heads are extremely dangerous and you must never pass your hands over the cutter head. Always use push blocks whenever surface planning. Hand safety. It is good practice to move the hands in an alternate motion from back to front as the work continues through the cut. Never pass your hands directly over the cutterhead. As one hand approaches the cutterhead remove it from the stock in an arc motion and place it back on the stock in a position beyond the cutterhead. Your hands must never be closer than 3 inches to the cutter head.

### **4. Supporting the work**

Only make cuts if the work piece is stable and never attempt to cut unstable planks, or injury may occur.

### **5. Cutting depth**

Never exceed the maximum cutting depth as stated in the specification for your machine. It is far better to take several small cuts rather than large cuts.

### **6. Direction of cut**

Jointing against the grain or jointing end grain is dangerous and could produce chatter or excessive chip out. Always joint with the grain.

### **7. Guards**

Guards are designed to reduce the risk of injury. Always use the guards. If it is imperative to use the machine without the guards, [Rabbeting] always replace the guards.

### **8. Cutting direction**

Only cut from the in-feed table to the out-feed table, and always complete the cut. Do not stop the wood progress until the job has cleared the cutter head completely. Only cut with the grain or at a slight angle to the grain.

### **9. Stock**

Your safety will be greatly enhanced if you only use good lumber. Only work with lumber after you have inspected it completely. Staples, Nails Loose knots and any other metal in the plank will damage your cutter head and could cause injury and or fire. If you have any question about a piece of lumber, do not use it.

## **SAVE THESE INSTRUCTIONS.**

### **Refer to them often and use them to instruct others.**

**Please read and save these instructions. Read carefully before attempting to assemble, install, operate or maintain the product described. Protect yourself and others by observing all safety information. Failure to comply with instructions could result in personal injury and/or property damage! Retain instructions for future reference.**

---

### **ELECTRICAL SAFETY:**



**DO NOT EXPOSE THE MACHINE TO RAIN OR OPERATE THE MACHINE IN DAMP LOCATIONS.**

### **MOTOR SPECIFICATIONS**

The typical main motors are either a 1.5 HP (JX6) or a 1.75 HP (JX8) and are wired for 110 Volt, Single-Phase, 60 HZ, AC current. Confirm your motor electrical configuration before connecting power! Before connecting the machine to the power source, make sure the starter and switches are in the "OFF" position. Power Cord and "plug" are NOT included. These must be installed by a qualified technician/electrician to meet all applicable codes.

NOTE: A 110 Volt to 220 Volt conversion kit is available for either jointer. Kit part #510220. See "220 Volt Conversion" for kit instructions.



**Confirm electrical configuration (Voltage & Phase) of this machine before connecting to power source!**

### **GROUNDING INSTRUCTIONS**



**THIS MACHINE MUST BE GROUNDED WHILE IN USE TO PROTECT THE OPERATOR FROM ELECTRIC SHOCK.**

1. This machine must be connected to a grounded metal, permanent wiring system; or an equipment-grounding conductor must be run with the circuit conductors and connected to the equipment-grounding terminal or lead on the appliance.

The installer, such as a qualified electrician, shall cut (or bend over) and insulate the grounding conductor from a field wiring supply cable.

In the event of certain types of malfunctions or breakdowns, grounding provides a path of least resistance for electric current—in order to reduce the risk of electric shock.

Improper connection of the equipment-grounding wire can result in a risk of electric shock. The wire with green insulation (with or without yellow stripes) is the equipment-grounding wire. If repair or replacement of the power cord or plug is necessary, do not connect the equipment-grounding wire to a live (current carrying) terminal.

Check with a qualified electrician or service personnel if you do not understand these grounding requirements, or if you are in doubt about whether the tool is properly grounded. If you ever notice that a cord or plug is damaged or worn, disconnect it from power, and immediately replace it with a new one.

Full Load Amperage Draw; 1.5 HP, 110V Single-Phase.....13 Amps

Full Load Amperage Draw; 1.75 HP, 110V Single-Phase.....15 Amps

NOTE: A 110 Volt to 220 Volt conversion kit is available for either jointer. Kit part #510220. See "220 Volt Conversion" for kit instructions.

## Power Supply Circuit Requirements

The power source circuit for your machine must be grounded and rated for the amperage given below. Never replace a circuit breaker on an existing circuit with one of higher amperage without consulting a qualified electrician to ensure compliance with wiring codes. **If you are unsure about the wiring codes in your area or you plan to connect your machine to a shared circuit, consult a qualified electrician.**

**Circuit Size** JX6 & JX8 (110V, 1-Phase) .....**20 Amp** minimum



**IN ALL CASES, MAKE CERTAIN THE RECEPTACLE OR DISCONNECT IS PROPERLY GROUNDED. IF YOU ARE NOT SURE, HAVE A QUALIFIED ELECTRICIAN CHECK THE RECEPTACLE OR DISCONNECT.**







**The jointer is heavy, be careful when lifting and handling it! Failure to comply may cause serious injury and/or damage to the machine and/or property! Use a forklift or have helpers to remove the jointer from pallet and place on floor and for assembly.**

## **Inventory:**

### *Loose items:*

- 2 Push Blocks
- 1 3mm Hex Wrench
- 1 6mm Hex Wrench
- 1 8/10mm Wrench
- 1 11/13mm Wrench

Report any missing or damaged parts to your dealer or distributor. Prior to machine assembly and use, read this manual thoroughly to familiarize yourself with proper assembly, maintenance and safety procedures.

## **Tools/items Required:**

- T-25 Torx Wrench
- 3mm Hex Wrench
- 6mm Hex Wrench
- 8mm Hex Wrench (not included)
- 8/10mm Wrench
- 11/13mm Wrench



***For your own safety, do not connect the machine to the power source until the machine is completely assembled. Please also make sure that you read and understand the entire manual.***

## **Machine Preparation and Setup:**

1. The machine is supplied with four installed wheels, two of which are locking style (infeed side). Lock these two wheels, by turning the thumbscrew clockwise, when the machine is placed and before operation (Fig. 4). Loosen the two thumbscrews when moving the jointer.



Figure 5: Wheel Locks

2. Clean all rust protected surfaces with a commercial de-greaser. DO NOT use acetone, gasoline, lacquer thinner or any type of cleaner that could damage paint. Coat cleaned surfaces with WD-40® or Teflon based lube.

## ! CAUTION

**Be careful when working on or near cutterhead as the knives are very sharp!**

# COMPONENTS

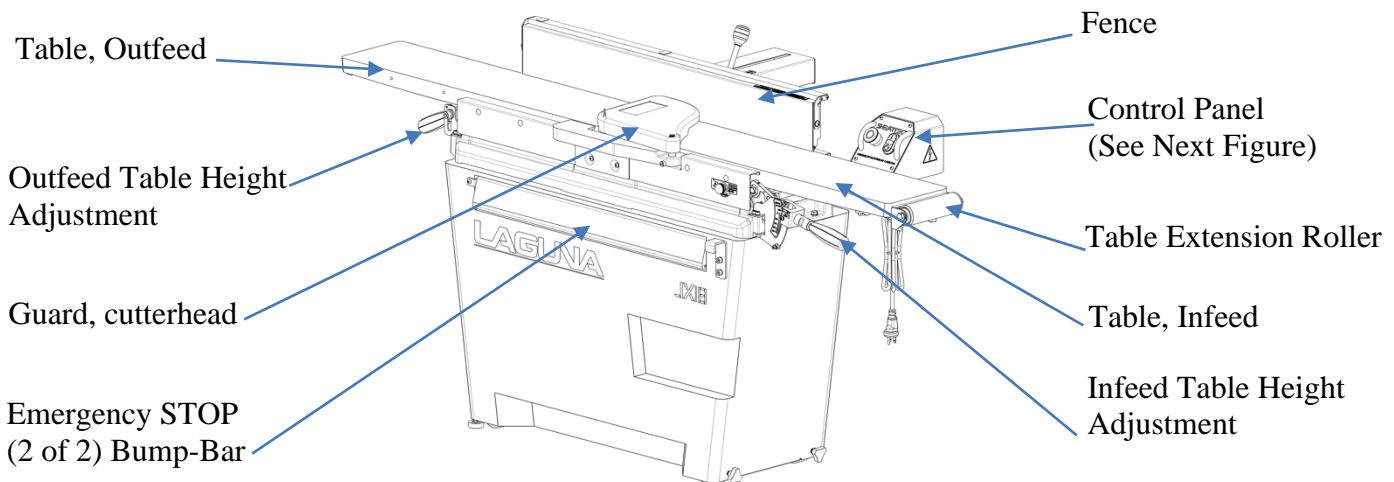


Figure 6: Main Components, JX6 & JX8

### Control Panel & E-Stops:



Figure 7: Control Panel & E-STOPS

A. **Emergency Stops** (E-STOP); stops all functions of machine, however, power continues to machine.

**NOTE:** To reset E-STOP, rotate switch clockwise until the button "pops" out.

**NOTE:** E-STOP bump bar (red) located on front of frame.

B. **ON/OFF Switch;** Starts and Stops rotation of cutterhead.

**NOTE:** Will not work if the E-STOP is engaged.

## ASSEMBLY: JX6 & JX8



Figures 8 & 9: JX6 & JX8 boxed



## Inventory JX6 & JX8:

### Contents box 1:

- 1 jointer stand
- 1 door
- 1 dust chute

### Contents box 2:

- 1 jointer assembly
- 1 fence assembly
- 1 pulley cover
- 1 belt
- 1 cutterhead guard
- 2 hold-downs
- 1 hardware bag



FIGURE 10: Inventory (mounting bolts and hardware)

The contents of the hardware bag are shown in figure 10. The main components are shown in figure 6.

Clean all rust protected surfaces with a commercial de-greaser. DO NOT use acetone, gasoline, lacquer thinner or any type of cleaner that could damage paint. Coat cleaned surfaces with WD-40® or Teflon based lube or other non-staining cast.

Hint: Although some users prefer a wax coating for the table surfaces, white talcum powder rubbed in vigorously once a week with a blackboard eraser will fill any casting pores and form a moisture barrier. Talcum powder generally will not stain wood or mar finishes, test before using on scrap wood.

### Tools/items Required:

- T-25 Torx Wrench
- 3mm Hex Wrench
- 6mm Hex Wrench
- 8mm Hex Wrench (not included)
- 12mm Wrench
- 14mm Wrench

## MOUNTING JOINTER BODY TO STAND

**NOTE:** Have help lifting jointer body onto stand! Or use a forklift.

1. Position the Jointer Body on the Stand with the cutterhead pulley directly above and on the same side as the motor pulley.
2. Insert three bolts, with lock washer and flat washer into each hold of jointer Body (Fig. 11). Thread each bolt into the mating nut (factory secured) of the stand. Hand tighten all three bolts while aligning jointer body and pulley on stand.
3. Use a wrench to tighten all three bolts.

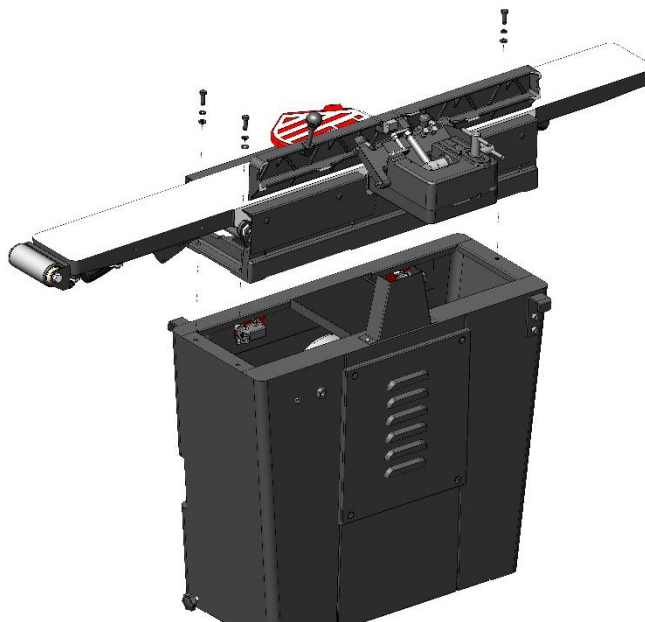


FIGURE 11: Attaching Jointer Body to Stand

## INSTALLING DRIVE BELT

To attach the belt to the cutterhead pulley and motor pulley, first reach into the dust chute or cabinet base (depending on model) with a wrench and loosen the four bolts holding the motor to the mount bracket. Align the pulleys using the slotted holes on the mounting bracket. Raise the motor as high as possible and mount the belt on to both pulleys. Allow the motor to lower and create tension on the belt. Pull down on the motor to achieve the de-sired belt tension (the correct belt tension is achieved when the belt can be deflected approximately one inch at the center belt span using light finger pressure (Fig. 12). Tighten the four bolts.

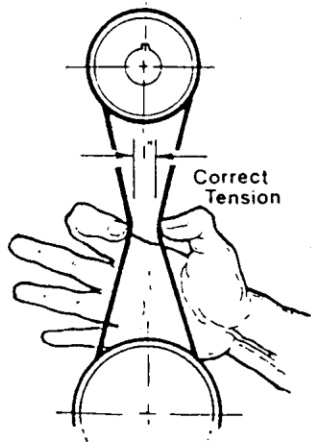


Figure 12: Belt Tension

## INSTALLING PULLEY COVER

The pulley cover is mounted with four 1/4-20 x 1/2" bolts and four flat threaded holes in the base (Fig. 13).

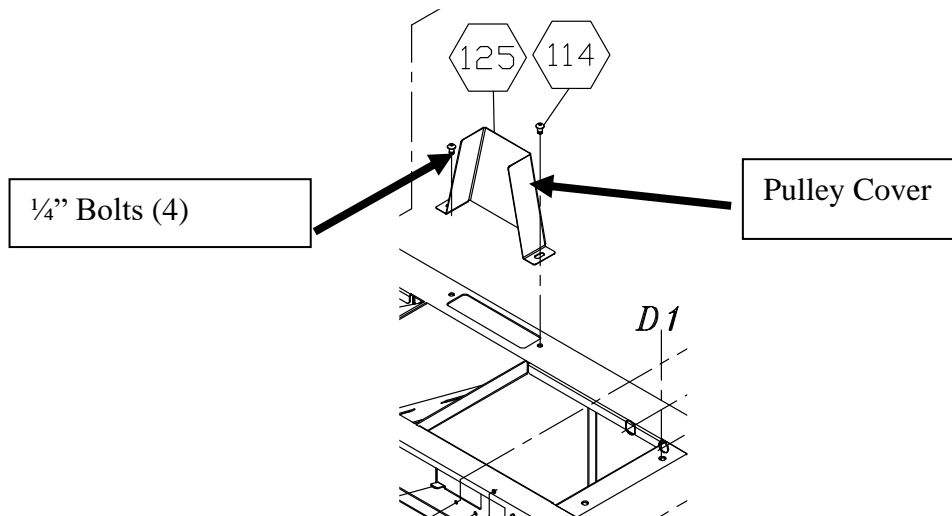


FIGURE 13: Attaching Pulley Cover to Stand



FIGURE 14: Pulley Cover installed

## **INSTALLING FENCE TO BED**

Referring to Figure 15:

1. Take the lock handle (E), flat washer (F), and lock nut (G) from the carton.
2. Place the fence assembly (A) onto the table (B). Be sure the key stock (D) on the bed lines up with the channel (C) in the fence casting.
3. Place the flat washer (F) on hole (H); insert the lock handle (E) through the fence casting and the table casting.
4. Thread the lock nut (G) onto the lock handle (E). Make sure the tab on the nut faces up and engages the slot in the table casting.

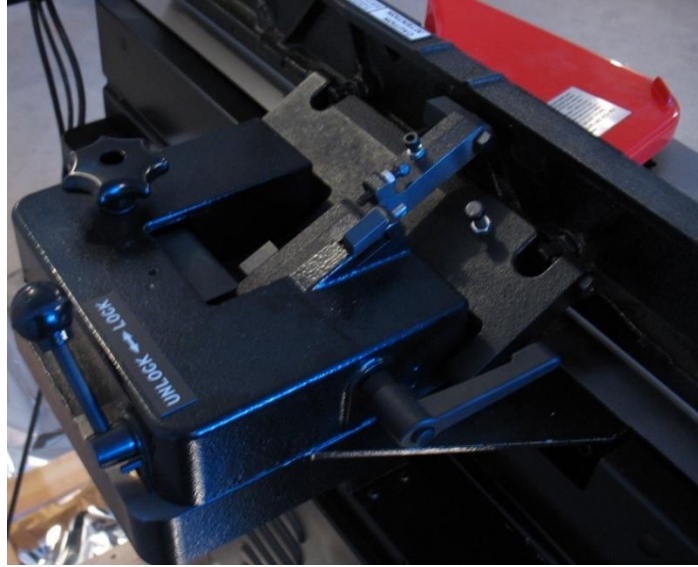


FIGURE 15: Installed Fence

## CUTTERHEAD GUARD INSTALLATION

### **WARNING**

Use the jointer guard for all operations.

1. Disconnect jointer from power source.
2. Turn Post (A) counterclockwise to create tension on spring, and hold it there(Fig. 16).
3. Insert guard post (A) down through hole in front of ledge.
4. Slightly turn post (A), if necessary, until the guard seats itself, and the spring engages the slot at the end of the guard post.
5. Check the guard for proper tension. If guard does not spring back into place when pulled back from cutterhead, remove guard and adjust spring tension by repeating steps 1-3 until correct tension is achieved. NEVER run the jointer without the guard in place and in perfect working order.

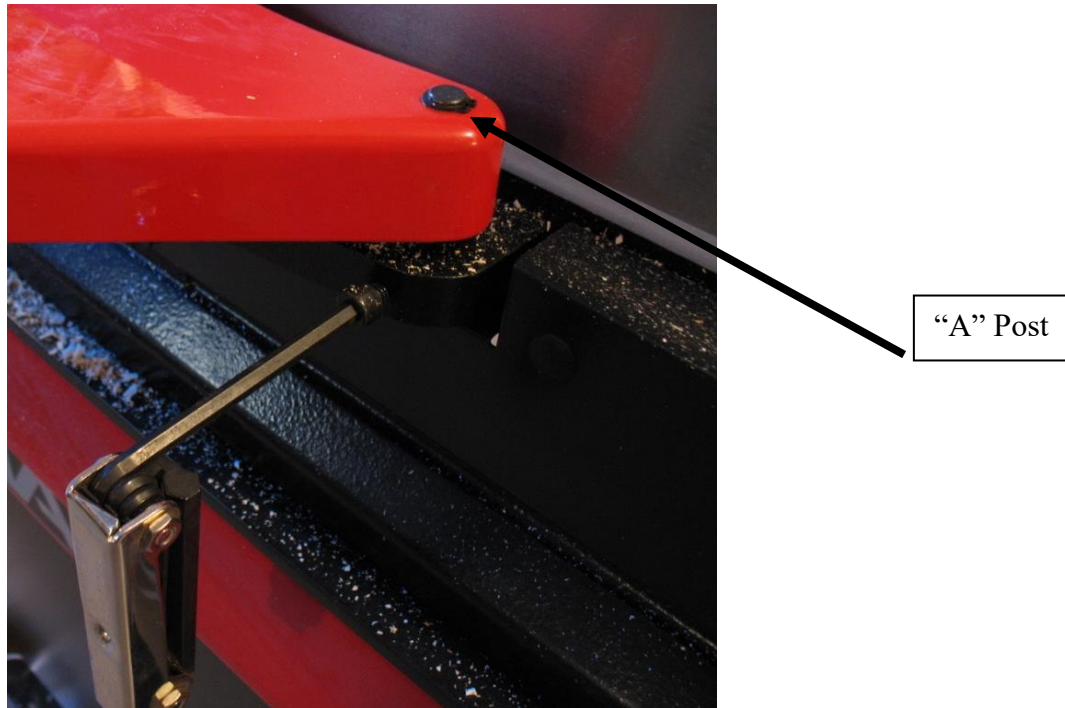


Figure 16: Cutterhead Guard installation



FIGURE 17: Cutterhead Guard installed

## INSTALLING DUST CHUTE

1. Mount the dust chute to the pre-tapped holes in the side of the stand with four 1/4-20 x 1/2 screws and four flat washers (Fig. 18).



FIGURE 18: Dust Chute

2. Connect Power Cord from Motor to ON/OFF switch.

# POWER SUPPLY

## Power Supply Circuit Requirements

The power source circuit for your machine must be grounded and rated for the amperage given below. Never replace a circuit breaker on an existing circuit with one of higher amperage without consulting a qualified electrician to ensure compliance with wiring codes. **If you are unsure about the wiring codes in your area or you plan to connect your machine to a shared circuit, consult a qualified electrician.**

**Circuit Size 1.5 HP** (110V, Single Phase) .....**20 Amp** (minimum)

**Circuit Size 1.75 HP** (110V, Single Phase) .....**20 Amp** (minimum)



**IN ALL CASES, MAKE CERTAIN THE RECEPTACLE IN QUESTION IS PROPERLY GROUNDED. IF YOU ARE NOT SURE, HAVE A QUALIFIED ELECTRICIAN CHECK THE RECEPTACLE.**

## MOTOR SPECIFICATIONS

The standard main motor is either 1.5 or 1.75 HP and is *typically* wired for 110 Volt, Single Phase, 60 HZ, AC current. **Confirm** your motor electrical configuration before connecting power! Before connecting the machine to the power source, make sure the starter and/or switches are in the "OFF" position.

## Connecting Power

1. Plug power cord into 20 Amp (min.), 110 Volt, Single Phase, dedicated circuit.



**Disconnect power supply to planer before continuing! Only connect power when required.**



# 220 Volt Conversion

The jointer can be converted to 220 Volt (from 110 Volt) with Conversion kit #510220. Have a qualified technician make the conversion.



**Disconnect power supply to planer before continuing! Only connect power when required.**

1. Turn OFF switch and disconnect power supply to machine.
2. Remove back panel of jointer to access motor.
3. Rewire motor to 220 volt operation as shown in the wiring diagram for your model jointer.
4. Remove cover of connection box on back of jointer.
5. Replace original 110 volt cord with new 220 volt cord from kit (Fig. 19). See wiring diagram.

Power Cord w/ Plug for 220V



Figure 19: 220 volt cord

6. Remove the four hex screws from the cover of the Control Box using a 2.5mm hex wrench.
7. Remove wiring from 110 Volt contactor (Fig.20).

110 Volt



Figure 20: 110V contactor

8. Remove 110 volt contactor from Control Box.
9. Install new 220 volt contactor into Control Box.

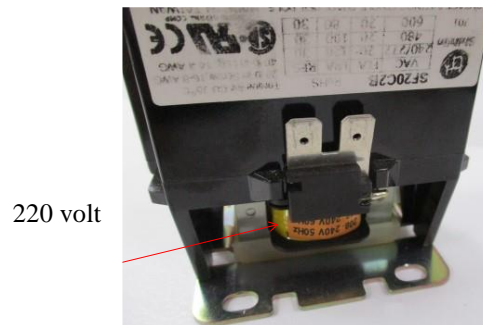


Figure 21: 220V Contactor

10. Remove four copper spade connectors from 220 volt contactor.

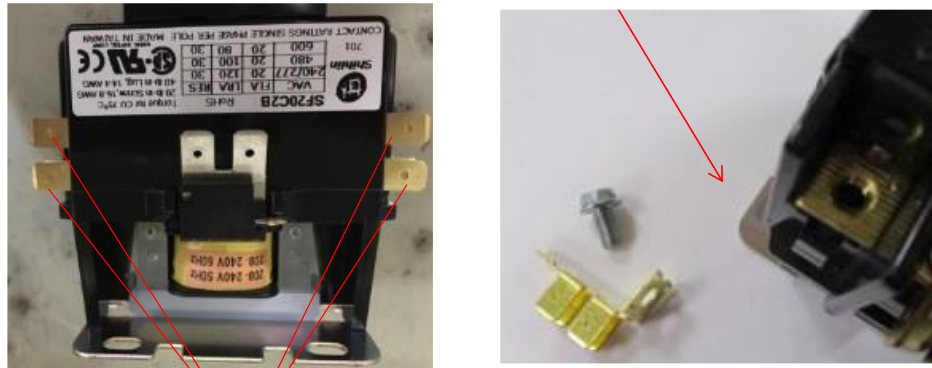


Figure 12 & 23: Removing spade terminals

11. Connect wires to new 220 volt contactor.



Figure 24: Wiring 220V Contactor

12. Reinstall cover of Control box with four hex screws.
13. Confirm all wiring has been changed and installed per wiring diagrams and instructions.
14. Connect machine to appropriate 220 volt circuit and test.

# ADJUSTMENTS

## Calibrating the Thickness Scale:

1. Loosen the Infeed Table locking handle by rotating counterclockwise (Fig. 25).
2. Pull and hold the Lock Pin (Fig. 26) while positioning handle to 1/64". Tighten handle
3. Make a test cut half-way on sample material. Measure The depth of cut/stock removal on the sample. If not 1/64", adjust pointer to actual cut dimension by loosening the Phillips screw and adjusting red pointer and tightening the Philips screw.

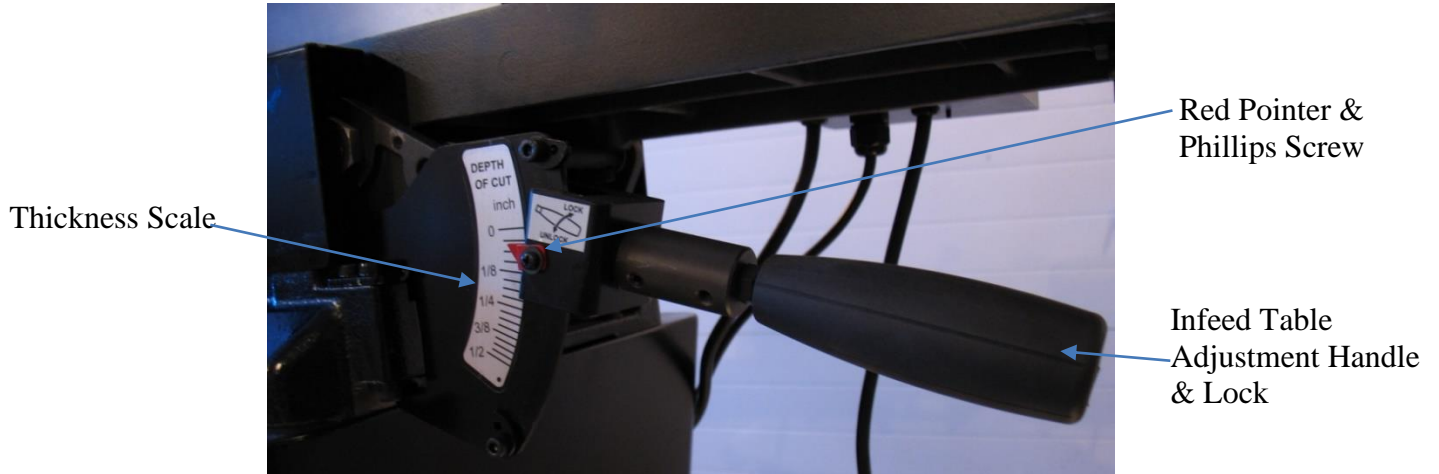


Figure 25: Thickness Scale

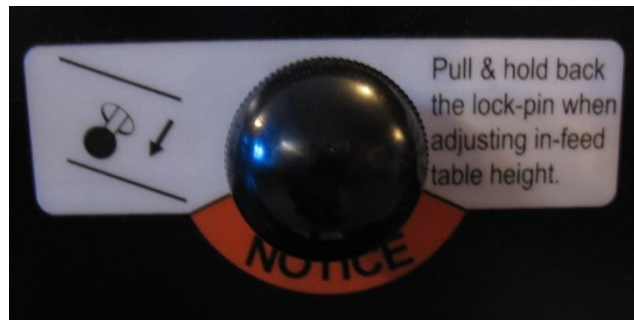


Figure 26: Lock Pin

**Adjusting Fence:**

3. The fence can be adjusted to use all or a portion of the cutterhead. To adjust, loosen the Locking Handle (Fig. 27) and turn the Adjustment Knob to position fence in desired location.

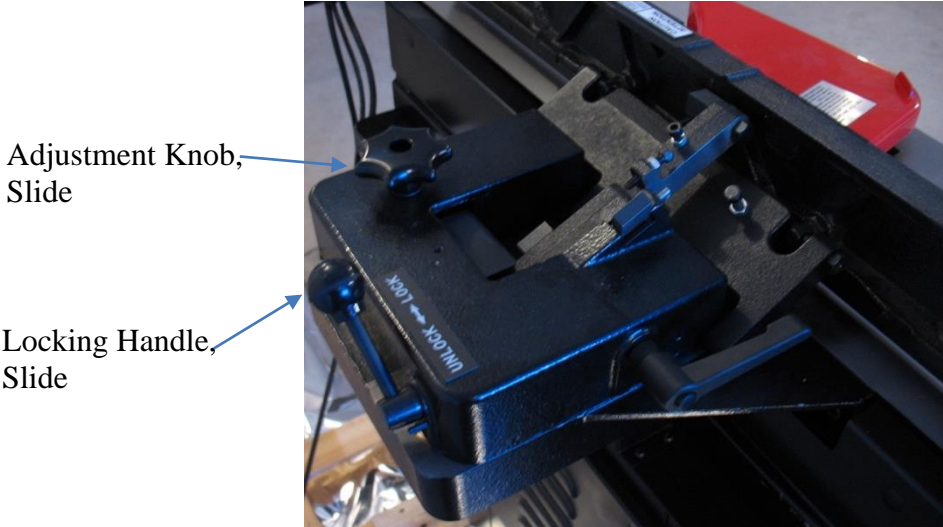


Figure 27: Fence Slide Components

4. To adjust the fence perpendicular or angled to the bed, loosen the Locking Lever (Fig. 28) and adjust the fence to the desired position.  
**NOTE:** The 90-degree position has an included reference STOP (Fig. 28). To adjust, flip the stop into position, loosen the lock nut and rotate the adjusting screw until the fence is at 90 degrees to the table. Tighten the lock nut and flip the stop back if making other angled adjustments. To check the 90-degree setting, place a square on the outfeed table and against the fence.

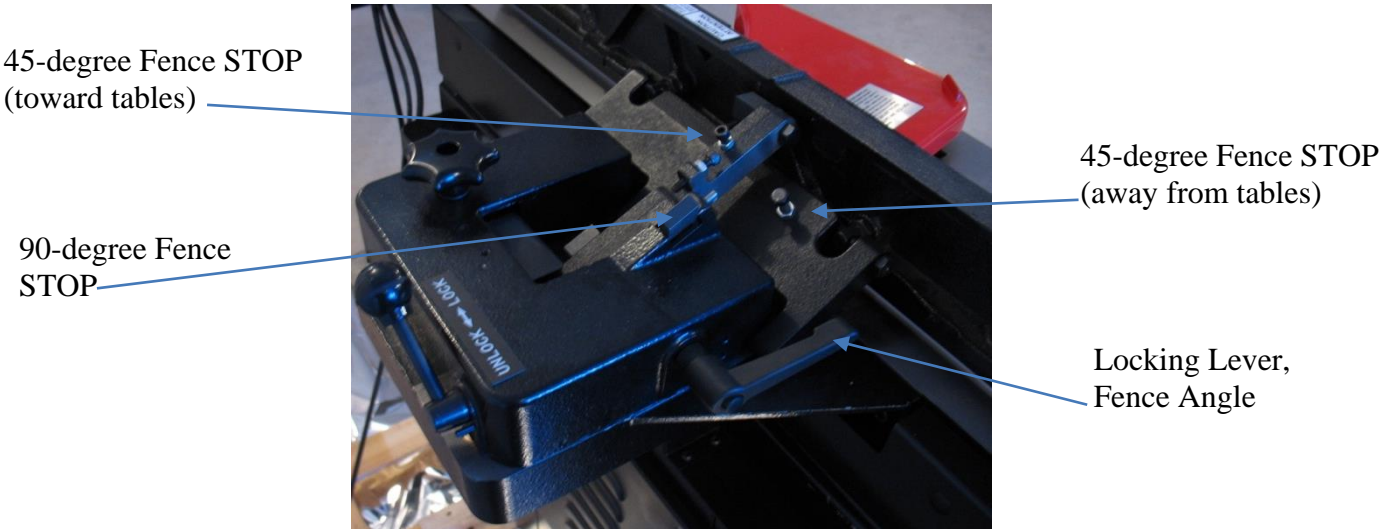


Figure 28: Fence Angle Adjustment Components

## Adjusting Tables (Coplanar):



### DISCONNECT MACHINE FROM POWER!

The alignment of the infeed and outfeed tables has been precisely set at the factory. However, misalignment can be incurred from shipping movement. Follow these steps to check and adjust.

### OVERVIEW

These instructions are intended to assist when alignment of the infeed, outfeed or both tables require adjustment. It is **important** to note that the outfeed table must be parallel and flush with the cutterhead before adjusting the infeed table. Always make this adjustment first if needed.

If the infeed table cannot be adjusted parallel to the outfeed table (e.g. not enough adjustment within the eccentric adjustment collars), then the outfeed table will require adjustment to bring into the same plane as the **infeed table**, but the outfeed table must **ALWAYS remain parallel** and **flush** with the cutterhead. Always make this adjustment first if needed.

### Coplanarity Test:

**STEP 1:** DISCONNECT THE MACHINE FROM POWER!

**STEP 2:** Remove the cutterhead guard by loosening the set screw(s) and removing guard. (See GUARD INSTALLATION).

**STEP 3:** Slide the fence assembly back.

**STEP 4:** Place a straight edge across the tables in positions as shown in **FIG. 29**. In each position, the straight edge, should rest flat and fit flush with both infeed and outfeed tables (not on an insert knife). If it does not, follow the steps in Outfeed Table and Infeed Table adjustments.

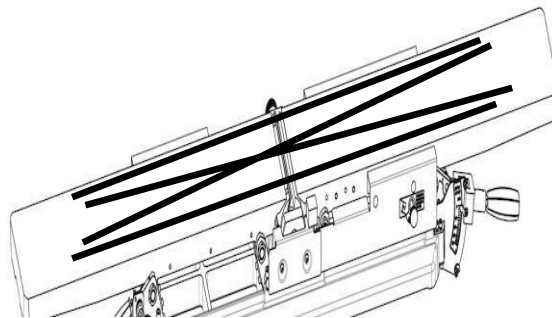


Figure 29: Checking tables for alignment

## **Outfeed Table:**

### **Paralleling to cutterhead and establishing proper height to cutterhead**

**STEP 1:** While the machine is disconnected from power source, cutterhead guard is removed, and fence is away (moved back); remove rear access panel of stand, to obtain access of drive belt.

**STEP 2:** Place a straight edge on the outfeed table halfway over the cutterhead as shown in **FIG. 30**. Rotate drive belt, if necessary, to bring an insert knife to top-dead-center for referencing to straight edge.

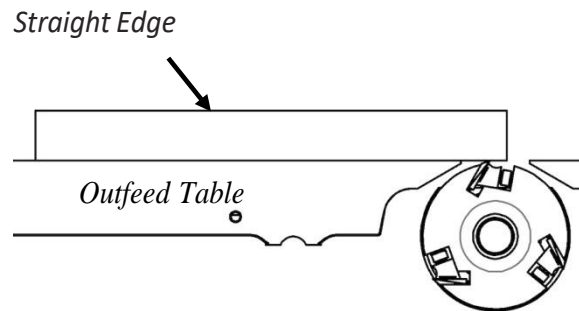


Figure 30: Checking Outfeed Table

**STEP 3:** Use a hex wrench (not included) to loosen Screw Lock (S.L) to release outfeedtable adjustment lever as shown in **FIG. 31**.

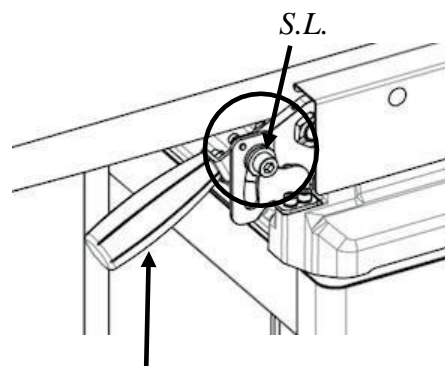
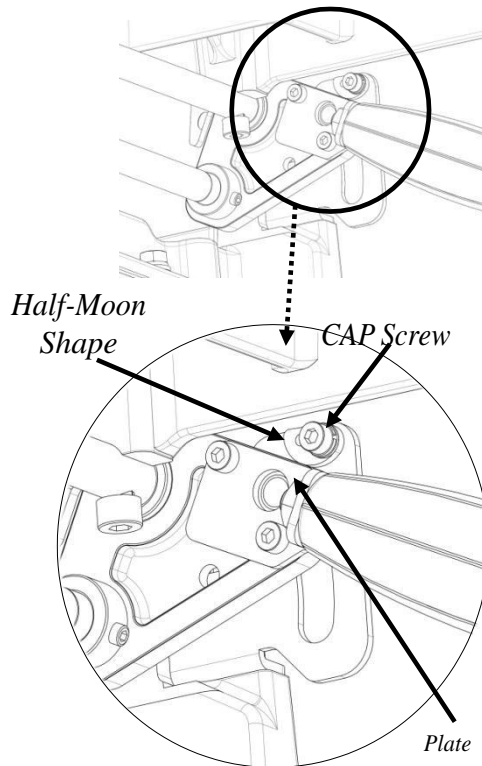


Figure 31: Screw Lock (S.L)

**STEP 4:** Loosen cap screw on the back (inside) of the outfeed table adjustment lever as shown in **FIG. 32**. Lower the outfeed table to adjust the straight-edge level with the top dead center of the knife inserts as in **FIG. 30**.

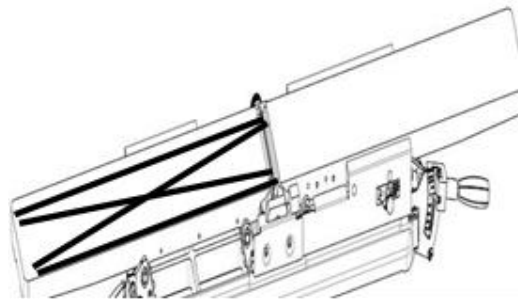


**NOTE:** When the half-moon shape of the CAP screw indicator touches the plate, it results in the lowest position of the outfeed table and is a reference to the top-dead-center of the inserts.



**FIG. 32:** Back View of Outfeed Table Adjustment

**STEP 5:** Place a straight edge in positions shown in FIG. 33 to make sure outfeed table is parallel with the cutterhead.



**Figure 33: Checking Infeed Table**

**STEP 6:** If the outfeed table is not parallel to the cutter head; loosen the cap screws with washer on the outside of the eccentric bushings. Loosen the set screws for locking the eccentric bushings **FIG. 38**. Rotate the eccentric bushing(s) to adjust the outfeed table parallel to the cutter head. Make sure eccentric bushings are seated and tighten the cap screws with washer and then the set screws securing the eccentric bushings.

**Step 7:** Confirm outfeed table is flush with cutter head (insert knives at top-dead-center). Tighten lock when adjusted. If straight edge does not rest flat on outfeed table, repeat STEP 4. If it sits flat on outfeed, go to Infeed Table to check the parallelism of infeed table.

### **Infeed Table:**

**STEP 1:** Before checking parallelism on infeed table, confirm the outfeed table is parallel and flush with insert tips at top-dead-center.

**STEP 2:** Place straight edge across infeed and outfeed tables as in **FIG. 34**. If inserts interfere with straight edge, rotate the cutterhead.

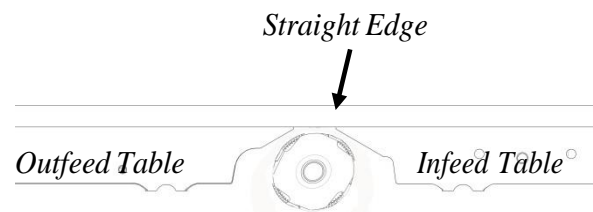


Figure 34:

**STEP 3:** Place straight edge in positions shown in **FIG. 35**.

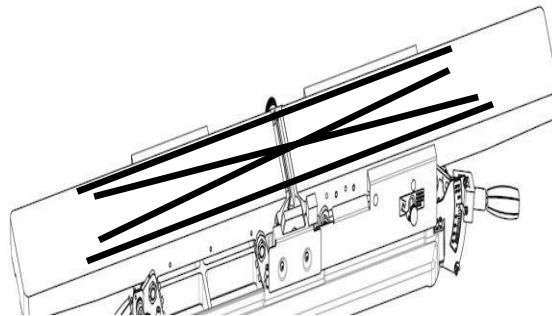


Figure 35: Checking Bed Alignment

**STEP 4:** If straight edge lies uniformly flat against both infeed and outfeed tables in all positions; re-install fence, blade guard and rear access panel. If it does not fit uniformly flat against both infeed tables and outfeed tables in any position, go to Table Parallelism Adjustment.

**STEP 5:** After verifying the parallelism on the outfeed table, make sure the eccentric bushing(s) are seated snugly and tighten set screw(s) into eccentric bushing(s) **FIG. 38**.

**STEP 6:** Remove infeed table depth stop release knob and infeed table cover, loosen set screws and place straight edge across infeed and outfeed tables as in **FIG. 40**, and adjust eccentric bushings under infeed table as STEP 4 for outfeed table.



## **Table Parallelism Adjustment:**

When the infeed table is not parallel with the outfeed table, it can be adjusted.

**NOTE:** This adjustment needs to be done very precisely and typically does not require re-adjustment once set.

Before following the steps below, double check the alignments as shown in Infeed Table to be certain that table adjustment is required.

**STEP 1:** Place a straight edge on outfeed table over the cutterhead and slightly touching the cutterhead body as shown in **FIG. 36**.

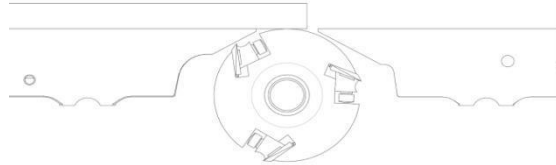


Fig.36:

**STEP 2:** Remove the plugs and loosen CAP screws to release and remove outfeed table cover as in **FIG. 37**.

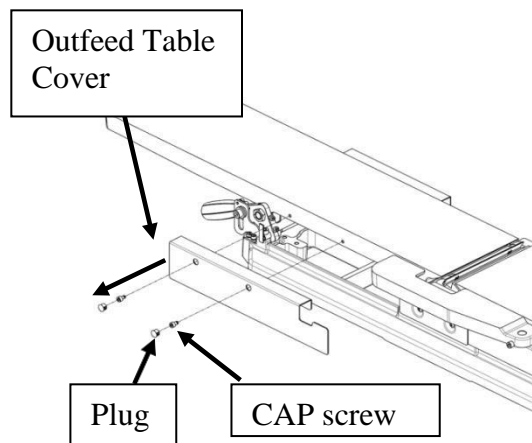


Fig. 37: Cover

**STEP 3:** Loosen set screws as shown in FIG. 38.

Figure 38:



**STEP 4:** Place straight edge to all the positions shown in **FIG. 39** and cap screws and loosen set screw(s) adjust the eccentric bushings, as in **FIG. 38**, until straight edge slightly touches the cutterhead insert knife (at top-dead-center) at each position.

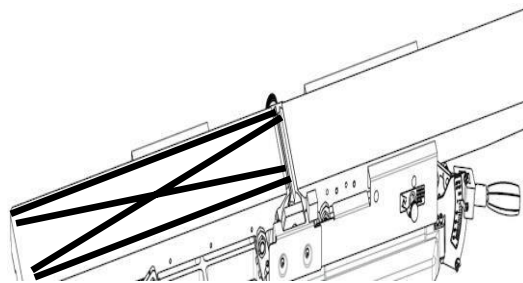


Figure 39:

**STEP 5:** After verifying the parallelism on the outfeed table, make sure the eccentric collars are seated snugly, into its bracket, and tighten cap screws and then set screws into eccentric bushings (Fig. 38).

**STEP 6:** Remove infeed table “depth stop release knob” and infeed table cover, loosen cap screws and set screws and place straight edge across infeed tables as in Fig. 40, and adjust eccentric bushings under infeed table (as in Step 4) for outfeed table.

**STEP 7:** Verify parallelism in each position as in Fig. 40 confirm eccentric bushings are snug and tighten set screws in eccentric bushings on infeed table.

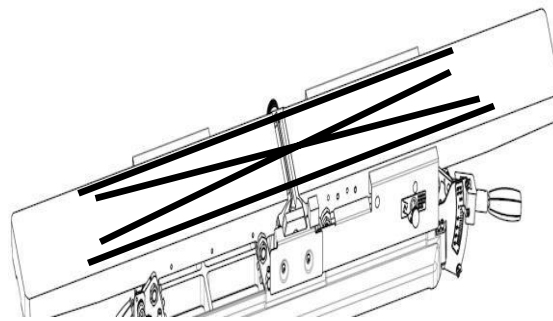


Figure 40: Verification of parallelism/coplanar

**STEP 8:** Tighten cap screws and set screws in eccentric brushings under infeed table (Fig. 38).

**STEP 9:** Re-install table covers and infeed table depth stop release knob.

**NOTE: Confirm the Eccentric Bushings are fully seated (hex collar pushed snug into bracket) and cap screws are tightened before tightening set screws. This prevents excessive play and side-to-side bed movement.**

## **Troubleshooting:**

### **Fence:**

After adjusting either or both tables, check and if necessary, adjust the fence according to fence setting instructions within the main manual.  
ALWAYS LEAVE THE FENCE ON THE MACHINE WHEN ADJUSTING TABLES.

### **Before making adjustments:**

Always confirm the outfeed table is parallel and flush with the cutterhead before adjusting the infeed table.

### **Infeed table cannot be adjusted parallel to the outfeed table:**

If there is not enough adjustment available with the infeed table eccentric bushings to align with the outfeed table; adjust outfeed table using the four eccentric bushings to coplanarity to the infeed table. **It is important to maintain the outfeed table flush and parallel with the cutterhead when adjusting the outfeed table for coplanarity.**

### **Infeed or Outfeed Table loose, side-to-side:**

If either the infeed or outfeed table are loose (side-to-side), it is probably due to loose eccentric bushings and set screws in the height adjustment mechanism. Check table alignment first and eccentric bushings last by following through the previous instructions and "NOTE" after STEP 8 of "Table Parallelism Adjustment".

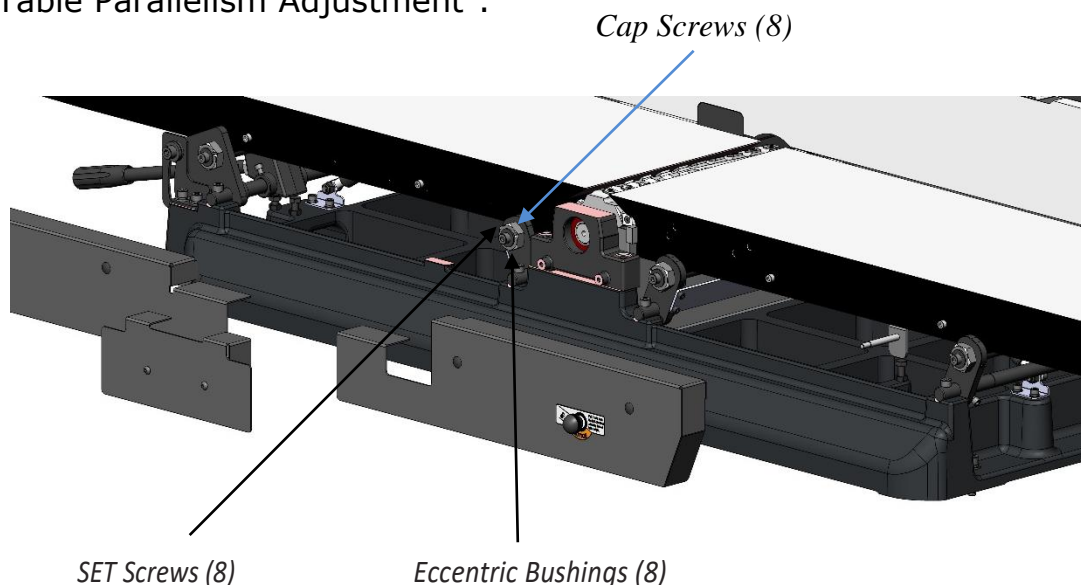


FIG. 41:

### Edge and Face jointing:



Figure 42: Edge jointing



Figure 43: Face jointing

### Beveling:

5. The fence can be adjusted up to 45 degrees angled toward the infeed/outfeed tables (bed) or away from the infeed/outfeed tables (bed) for beveling. There is less chance of stock slippage when the fence is angled down, toward the tables (Fig. 44). Angling the fence toward the tables is also a safer method to bevel, when the application allows.

NOTE: The two 45-degree positions include two reference STOPS (Fig. 28). To adjust, loosen the lock nut and rotate the adjusting screw until the fence is at 45 degrees to the table, angled in or out.

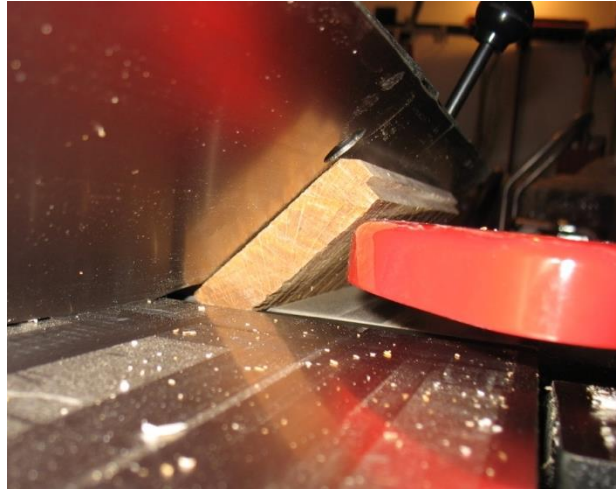


Figure 44: Beveling

### **Rabbeting:**

Rabbeting is a groove along the edge of stock. The stock can be on edge or face, depending on the dimensions required for the rabbet.



Figure 45: Rabbeting

6. Position fence for width of rabbet cut. This is the distance from the outmost edge of the outermost knife insert to the fence.

7. Set depth of cut with the Infeed Table Adjustment Handle. Do not set deeper than 1/64" per pass. Several passes may be required to reach the desired depth. Adjust the infeed table for each pass (1/64" max.) until the rabbet is completed.

NOTE: (Spring loaded guard (red) may need to be removed for rabbeting wide stock.) Loosen hex bolt and lift guard with post from machine (Fig. 46).

 **DANGER**

**Replace guard as soon as machine stops after rabbet is cut!  
Never allow hands near cutterhead when the guard is removed!**



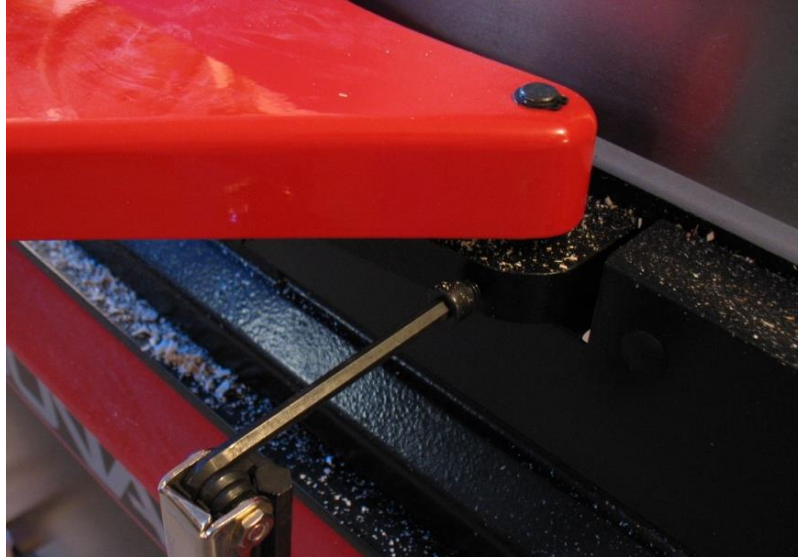


Figure 46: Removing guard for rabbeting

## OPERATION

1. Establish the proper depth of cut, 1/64" is the recommended maximum cut for the best finish with least chance of kick-back when jointing.

**NOTE:** The infeed table extension (Fig. 47) can be extended for support of long material. Loosen the two locking studs under the bed, pull extension out and tighten the two locking studs.



Figure 47: Infeed Table Extension

2. Start dust collection.

3. Start jointer.
4. Feed stock into cutterhead, while maintaining contact of the stock on the bed and against the fence. Maintain control and support of stock as the stock opens the guard and contacts the cutterhead. Maintain a good, firm stance while pushing stock across the jointer. Move hands along stock when feeding to maintain control of stock. Lift hands from stock as they come near cutterhead and reposition them on outfeed side. **DO NOT allow hands to come within three inches of the cutterhead.**



**USE PUSH BLOCKS FOR FACE JOINTING! DO NOT PLACE YOUR HANDS NEAR CUTTERHEAD OR GUARD!**

5. Reposition yourself to the outfeed side of jointer and control and support stock until it is past cutterhead and the guard has fully closed.

## MAINTENANCE/ADJUSTMENT

### Quad-Tec I Cutterhead



Figure 48: Quad-Tec I Cutterhead



**Knife inserts are dangerously sharp. Use extreme caution when inspecting, removing, or replacing knife inserts.**



 **WARNING**

**Turn OFF and disconnect power before performing any maintenance or adjustments!**

The knife inserts on the jointer are four-sided. When dull (or nicked), remove each knife, rotate it 90° for a fresh edge, and re-install it (**52-60 in-lb.**). No further adjustment is necessary. Use a Torx wrench (T25) to remove the knife insert screw. Use a second Torx wrench to hold the cutterhead (from rotating) in position (in another screw). **DO NOT USE YOUR HAND TO HOLD THE CUTTERHEAD!** Use a second Torx wrench to hold the cutterhead.

It is advisable to rotate all inserts at the same time to maintain consistent cutting. However, if one or more knife inserts develops a nick, rotate only those inserts that are affected. Each knife insert has an etched reference mark so you can keep track of the rotation.

**IMPORTANT:** When removing or rotating inserts, clean sawdust from the screw, the insert, and the cutterhead platform. Dust accumulation between these elements can prevent the insert from seating properly, and may affect the quality of the cut.

Before installing each screw, lightly coat the screw threads with machine oil and wipe off any excess. Securely tighten each screw (52-60 in-lb.) which holds the knife inserts before operating the jointer!

 **WARNING**

**Make sure all knife insert screws are tightened securely (52-60 in-lb.). Loose inserts can be propelled at high speed from a rotating cutterhead, causing injury!**

 **WARNING**

**Turn OFF and disconnect power before performing any maintenance or adjustments!**

The jointer comes set-up from the factory and typically will not need adjustment. If it is determined adjustment is needed, follow these steps.

### **Outfeed Table Adjustment:**

The outfeed table is adjusted at the factory to be level with (or up to max .06" higher than) the Top Dead Center (TDC) of the knife inserts.

To adjust the Outfeed Table, loosen the Adjustment Lock (Fig. 49) for the Outfeed Table with an 8mm hex wrench (not included). Adjust the height of the Outfeed Table with the Adjustment Handle for the Outfeed Table (Fig. 49). Tighten the Adjustment Lock.



Figure 49: Outfeed Table Adjustment

### **Poly Drive Belt Adjustment:**

The poly-drive-belt tension is set at the factory. Proper tension is achieved when the belt can be depressed approximately 1/4" mid-way between the pulleys.

If adjustment is needed remove the four screws holding the back panel to the stand of the jointer.

The motor is attached with four bolts on a slide. Loosen the four motor mount bolts to tension the drive belt by sliding the motor downward (Fig. 50).

When the drive belt is properly tensioned, tighten the four motor mounting bolts and replace the back cover.

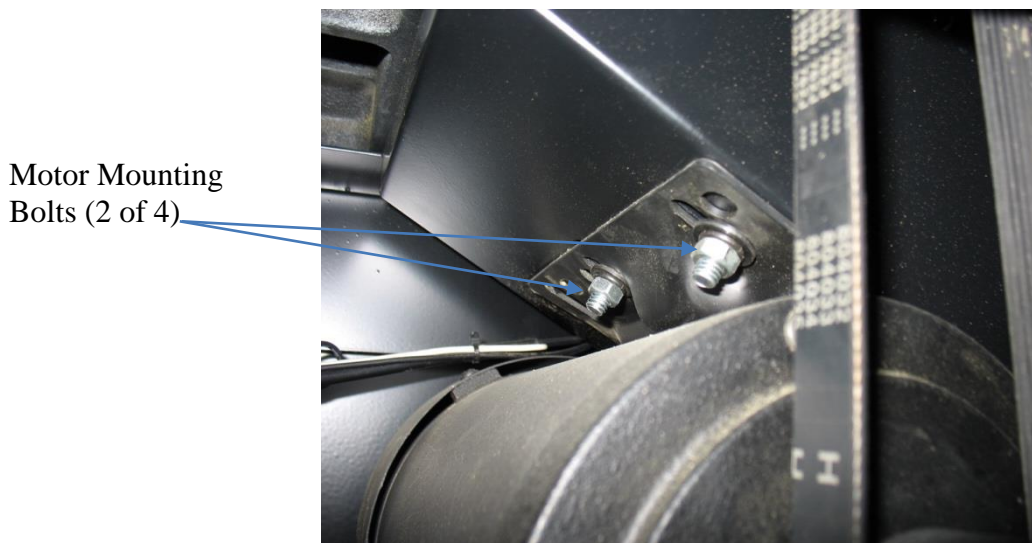


Figure 50: Two of the four motor mounting bolts

### Daily checks

1. Clean the machine and lubricate unpainted surfaces with a Teflon lubricant. Wipe off any excess and buff with a dry polishing cloth. This will reduce the likelihood of rust forming and reduce the friction on the tables as the wood is machined.
2. Check knife inserts for nicks and sharpness.
3. Generally inspect the machine for damage and loose or worn parts.

### Weekly checks

1. Clean the cutter head. Do not touch knife inserts!
2. Check knife inserts for nicks and sharpness.
3. Generally inspect the machine for damage and loose or worn parts.
4. Check the dust extraction for blockages and any large pieces that could cause blockages.

### Monthly checks

1. Check the drive belt for wear, splits and cuts.
2. Clean the motor compartment and the motor to ensure that the motor cooling fins work efficiently.
3. Generally inspect the machine for damage and loose or worn parts.  
**Note.** It is recommended that you use a Teflon based lubricant.

## TROUBLESHOOTING

Description of	Possible Cause	Corrective Action
Machine will not start	<ol style="list-style-type: none"> <li>1. Fuse blown or circuit breaker tripped</li> <li>2. Cord damaged</li> <li>3. Not connected to power source</li> <li>4. Connected to wrong voltage</li> <li>5. Emergency stop button pressed</li> </ol>	<ol style="list-style-type: none"> <li>1. Replace fuse or reset circuit breaker</li> <li>2. Have cord replaced</li> <li>3. Check connection</li> <li>4. Check voltage</li> <li>5. Rotate emergency stop button clockwise until it pops out</li> </ol>

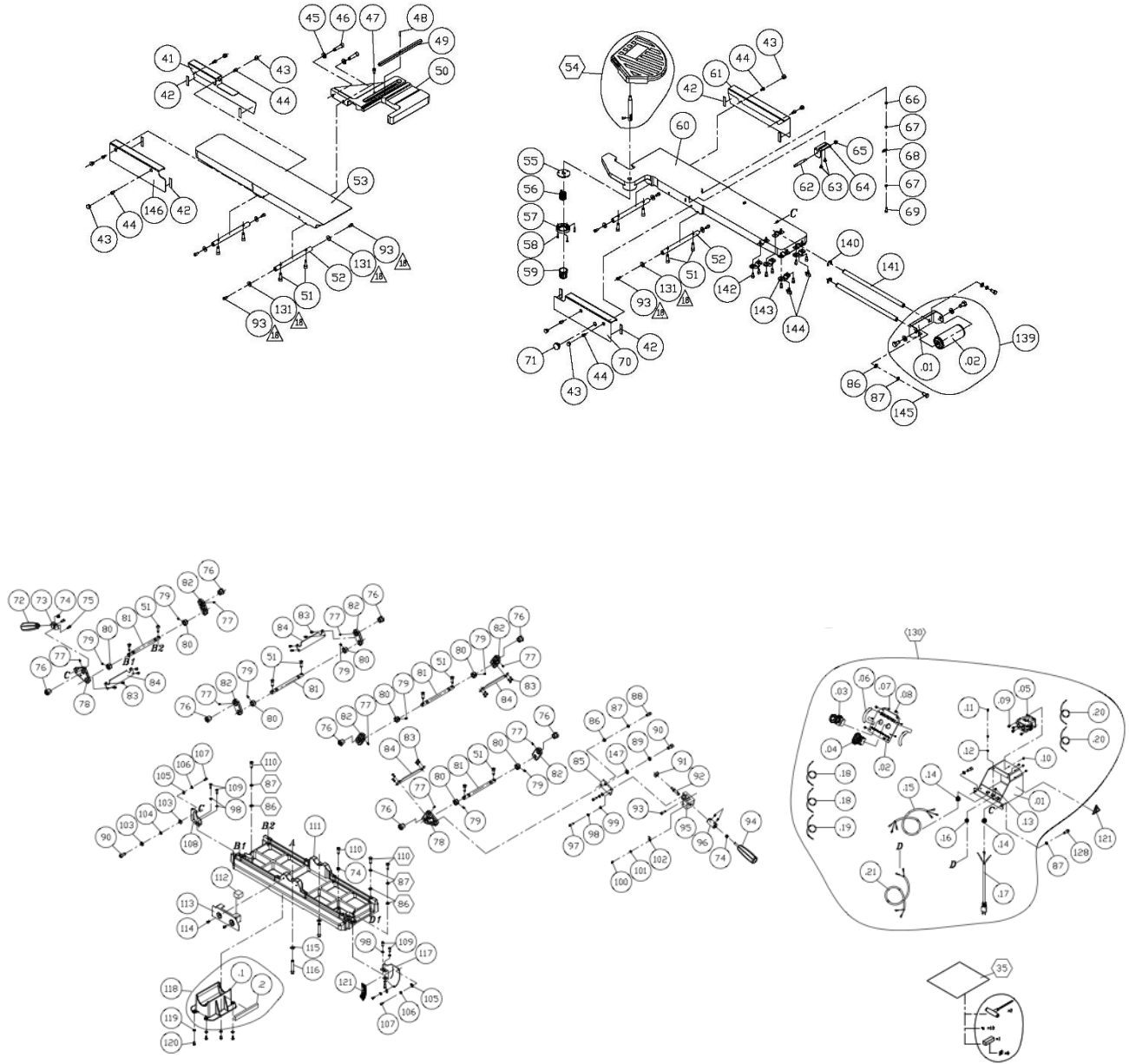
Cutterhead does not come up to speed	<ol style="list-style-type: none"> <li>1. Low current</li> <li>2. Motor not wired for correct voltage</li> </ol>	<ol style="list-style-type: none"> <li>1. Contact local electric company</li> <li>2. Refer to motor nameplate for correct voltage</li> </ol>
Workpiece difficult to push	<ol style="list-style-type: none"> <li>1. Too much material being removed in one pass</li> <li>2. Dull knives</li> </ol>	<ol style="list-style-type: none"> <li>1. Reduce the amount of material being removed</li> <li>2. Rotate or replace knives</li> </ol>
Snipe	<ol style="list-style-type: none"> <li>1. Material not supported properly as it exits outfeed table</li> <li>2. Operator pushing down on trailing end of material</li> <li>3. Outfeed table too low</li> </ol>	<ol style="list-style-type: none"> <li>1. Support material for entire cut</li> <li>2. Eliminate downward pressure on trailing end</li> <li>3. Adjust outfeed table level with cutterhead</li> </ol>
Fuzzy Grain	<ol style="list-style-type: none"> <li>1. Wood with a high moisture content</li> <li>2. Dull knife insert(s)</li> </ol>	<ol style="list-style-type: none"> <li>1. Allow wood to dry properly</li> <li>2. Rotate or replace knife insert(s)</li> </ol>
Line(s) or ridges in finished surface	<ol style="list-style-type: none"> <li>1. Nicked or damaged knife insert(s)</li> </ol>	<ol style="list-style-type: none"> <li>1. Rotate or replace knife insert(s)</li> </ol>

### Dust Collection

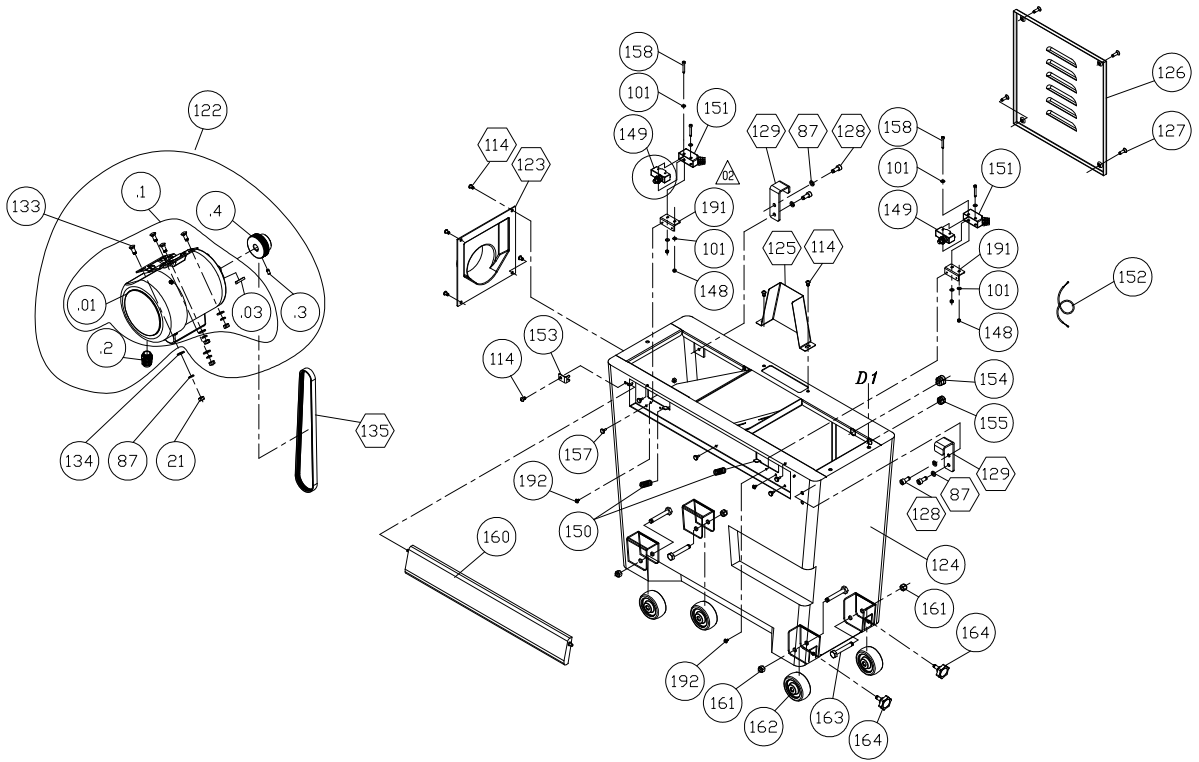
To ensure proper operation and longest knife life it is important to maintain full air flow to your dust collection system. Make sure the filter media is clean and there are no obstructions in the ducting or hoses.

# JX6 EXPLODED VIEWS

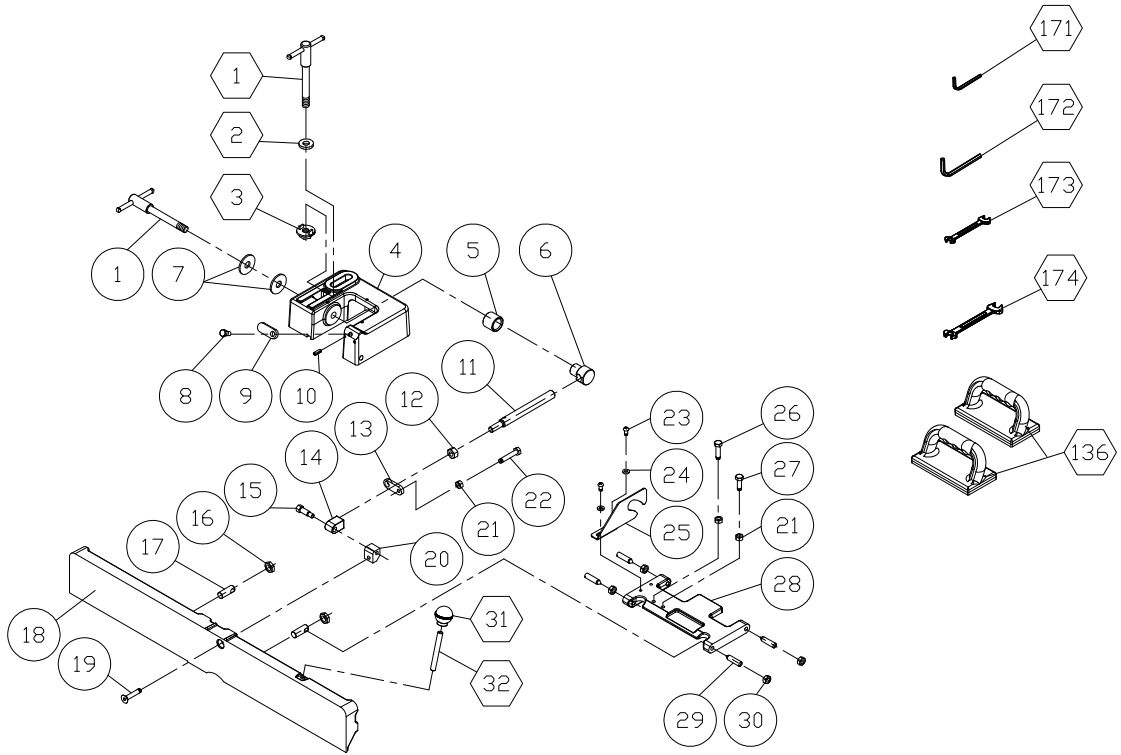
## JX6 Quad Tec I Cutterhead & Body



# JX6 Quad Tec I Stand & Motor



# JX6 Quad Tec I Fence



# JX6 PARTS LIST

Key	Part No.	Description	Specifications	Qty
1	360034-901	Lock Handle		2
2	006003-091	Flat Washer	13-28x3.0	1
3	380209-901	T-Nut		1
4	051301-196	Fence Bracket - Upper		1
5	130055-903	Sleeve		1
6	130009-903	Fixing Block		1
7	006003-097	Flat Washer	13.5-40x3.0	2
8	290003-901	Bolt		1
9	170047-901	Stop Plate		1
10	011002-103	Spring Pin	4x12	2
11	360068-901	Fixing Rod		1
12	009008-300	Hex Nut	7/16"-14 (17.4Bx9.52H)	1
13	170598-901	Fence Stop		1
14	130007-903	Pivot		1
15	290004-901	Bolt		1
16	009010-100	Hex Nut	1/2"-20 (19.05Bx6.35H)	2
17	360676-901	Stud Pivot		2
18	051300-196	Fence		1
19	003602-702	Flat Hd. Soc. Screw	5/16"-18x1-5/8"	1
20	130008-903	Pivot		1
21	009005-300	Hex Nut	5/16"-18 (12.7Bx6.75H)	7
22	003003-708	Hex Screw	5/16"-18x1-3/4"	1
23	003301-701	Pan Head Screw	1/4"-20x1/2"	2
24	006003-023	Flat Washer	6.3-13x2	2
25	170048-901	Soft Plate		1
26	003003-706	Hex Screw	5/16"-18x1-1/4"	1
27	003003-705	Hex Screw	5/16"-18x1"	1
28	051303-196	Tilt Plate		1
29	230015-901	Stud		4
30	009022-300	Hex Nut	3/8"-16 (13.83Bx6.68H)	4



31	250372-615	Fence Tilt Knob		1
32	360038-901	Handle Rod		1
33	050018-901	Bearing Housing		1
34	030206-002	Ball Bearing	6202	1
35	925133-001	Segmented Cutterhead	QuadTec1	1
35	925134-001	Segmented Cutterhead	4 Slots	1
	925135-001	Knife Insert	10Pcs/Box	1
	038201-101	Torx Screw	#10-32x1/2"	
	040710-000	Torx Wrench	T-25	1
36	012003-009	Key	5x5x25	1
37	030207-002	Ball Bearing	6203	1
38	050019-901	Bearing Housing		1
39	381427-902	Pulley	6 Slot	1
40	001902-101	SET Lock Screw	M6-1.0x10	1
41	174794-196	Rear Base Cover - L		1
42	200024-615	Packing		8
43	042505-000	Cord Plug	HP-13	8
44	000103-102	CAP Screw	M6-1.0x10	8
45	006001-163	Flat Washer	8.5-19x3	2
46	000104-110	CAP Screw	M8-1.25x30	2
47	003103-102	CAP Screw	1/4"-20x1/2"	1
48	011002-105	Spring Pin	4x20	1
49	380080-000	Key		1
50	051445-196	Fence Bracket		1
51	000104-108	CAP Screw	M8-1.25x25	16
52	361373-902	Support Shaft		4
53	051443-196	Outfeed Table		1
54	920155-001	Cutterhead Guard Assembly		1
55	170045-901	Retainer Ring		1
56	280009-000	Spring		1
57	110004-000	Retaining Knob		1
58	003305-206	Pan Head Screw	5/32"-32x5/8"	3
59	110024-000	Knob		1

60	051459-196	Table Infeed		1
61	174793-196	Rear Base Cover - R		1
62	361327-902	Handle Shaft Bolt		1
63	290028-901	Shoulder Screw		2
64	174603-902	Fixing Plate		1
65	009103-100	Lock Nut	1/4"-20 (11Bx8H)	1
66	008004-100	Hex Nut	M5-0.8 (8Bx4H)	1
67	006001-009	Flat Washer	5.2-10x1.0	2
68	280082-000	Tension Spring		1
69	000102-116	CAP Screw	M5-0.8x15	1
70	174796-196	Front Cover - R		1
71	230156-615	Knob Plunger	22 x 1/4-20	1
72	230141-615	Handle		1
73	174786-904	Plate		1
74	008006-100	Hex Nut	M8-1.25 (13Bx6.5H)	3
75	000102-104	CAP Screw	M5-0.8x12	2
76	130350-903	Bushing		8
77	001901-102	SET Lock Screw	M5-0.8x8	8
78	130351-903	Connecting Rod Plate		2
79	001902-102	SET Lock Screw	M6-1.0x8	10
80	361241-902	Bushing		8
81	361374-902	Rod		4
82	130352-903	Rod Plate		6
83	002603-101	CAP Lock Screw	M5-0.8x10	16
84	174790-000	Fixing Rod Plate		4
85	174784-904	Fixing Plate		1
86	006001-049	Flat Washer	8.5-16x2.0	6
87	006305-100	Lock Washer	8.2-13.7	16
88	000104-104	CAP Screw	M8-1.25x16	1
89	006307-100	Lock Washer	10.2-18.5	1
90	000105-101	CAP Screw	M10-1.5x20	2
91	130393-903	Inclined Block		1
92	361370-902	Handle Shaft Bolt		1
93	002602-101	CAP Lock Screw	M6-1.0x12	9

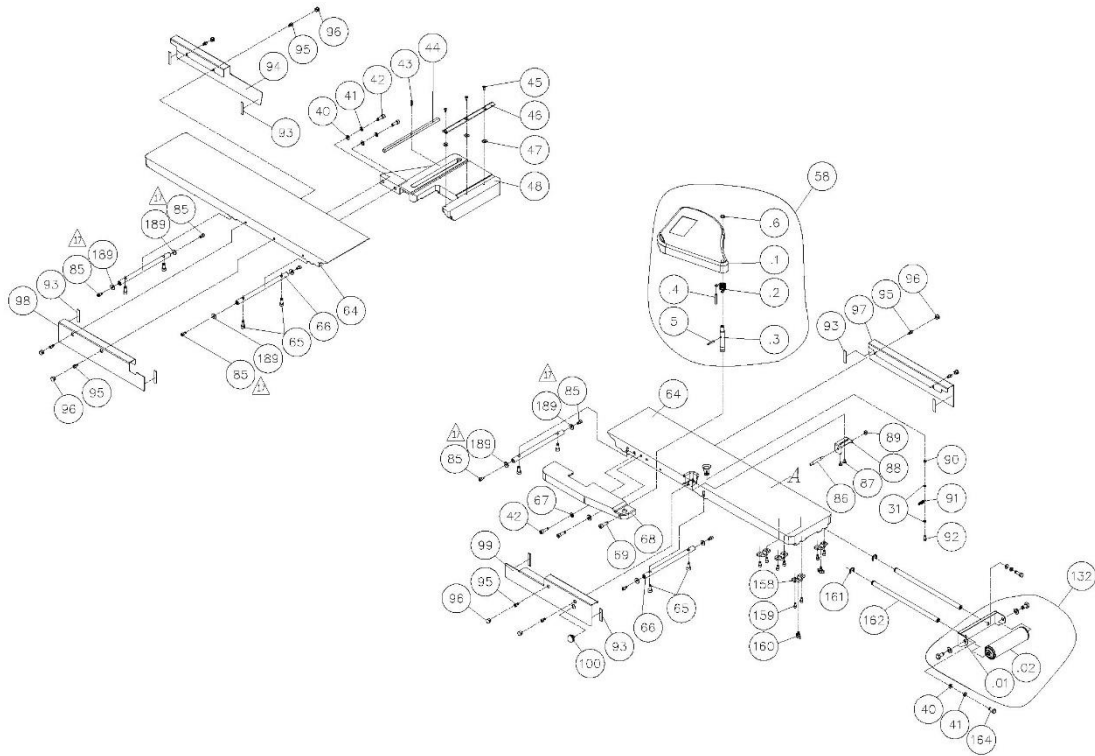
94	230191-000	Miter Gauge Handle		1
95	310548-911	Fixed Block		1
96	381428-902	Bushing		1
97	000103-108	CAP Screw	M6-1.0x25	2
98	006303-100	Lock Washer	6.5x10.5	7
99	006001-022	Flat Washer	6.3x13x1.0	2
100	000302-101	Pan Head Screw	M4-0.7x6	1
101	006001-001	Flat Washer	4.3x10x1.0	9
102	174782-156	Pointer		1
103	006003-080	Flat Washer	10.5-23x3.0	2
104	006703-100	Wave Washer	WW-10	1
105	174785-904	Fixing Plate		3
106	006502-100	Int. Tooth Washer	5.3-10 (BW-5)	3
107	000102-103	CAP Screw	M5-0.8x10	3
108	174787-904	Locking Plate - L		1
109	000103-105	CAP Screw	M6-1.0x15	5
110	000003-105	Hex Screw	M8-1.25x25	1
110	000003-105	Hex Screw	M8-1.25x25	3
111	051444-196	Base		1
112	200105-615	Sponge	30x30x22 (LxWxH)	1
113	174797-196	Cutterhead Front Cover		1
114	000801-101	Round Head Hex Screw	M6-1.0x10	3
114	000801-101	Round Head Hex Screw	M6-1.0x10	6
115	006306-100	Lock Washer	9.8x17.8	2
116	003111-302	CAP Screw	3/8"-24x2-1/2"	2
117	174783-904	Locking Plate - R		1
118	924851-001	Chip Hood Assembly	6"	1
119	006002-032	Flat Washer	6.6x13x1.0	4
120	000304-203	Pan Head Screw	M6-1.0x12	4
122	901269-000	Motor Assembly	1.5HP/115V/230V/60HZ/1PH Prewired 115V	1
123	250036-615	Dust Chute		1
124	174933-196	Stand		1
125	174795-196	Pulley Cover		1

126	170445-196	Cover		1
127	000403-104	Flat Head Phillips Screw	M6-1.0x20	4
128	000104-106	CAP Screw	M8-1.25x20	2
128	000104-106	CAP Screw	M8-1.25x20	4
129	174695-902	Hook		2
130	950868-001	Control Box Assembly	LAGUNA-QUADTEC I (110-120V)	1
130.1	174936-000	Control Box	LAGUNA	1
130.2	575554-000	Switch Plate	LAGUNA-QUADTEC I	1
130.3	491153-000	Emergency Stop Switch	NPB22-H01R	1
130.4	491223-000	Power Switch	M22DP-SF11W	1
130.5	491186-000	Contacto	SF20C2A (110-120V)	1
130.6	300117-909	Switch Guard		2
130.7	000301-101	Pan Head Screw	M3-0.5x6	4
130.8	000804-101	Round Head Hex Screw	M5-0.8x8	4
130.6	001601-101	Round Head Phillips Screw w/Washer	M4-0.7x8/4x10x0.8	4
130.10	008103-100	Hex Cup Nut	M4-0.7	4
130.11	000302-101	Pan Head Screw	M4-0.7x6	1
130.12	006501-100	Teeth Washer	4.3x8.5 (BW-4)	1
130.13	570695-000	Grounding Label		1
130.14	020005-000	Strain Relief	SB8R-3	2
130.15	473003-068	Connect Cord	SJT 14AWG/3Cx2100mm	1
130.16	020008-000	Strain Relief	SBR5-2	1
130.17	453011-048	Power Cord	SJT 14AWG/3Cx3400mm	1
130.18	471001-001	Connect Cord	18AWG/1Cx85mm	2
130.19	471037-109	Connect Cord	18AWG/1Cx200mm	1
130.20	471037-110	Connect Cord	18AWG/1Cx200mm	2
130.21	472001-056	Connect Cord	SJT 18AWG/2Cx2000mm	1
131	006001-036	Flat Washer	6.7x19x2	8
133	003801-107	Carriage Bolt	5/16-18x3/4"	4
134	006001-053	Flat Washer	8.5x19x2.0	4
135	014367-000	Poly-V-Belt	320J-6	1
136	250035-629	Push Block		2

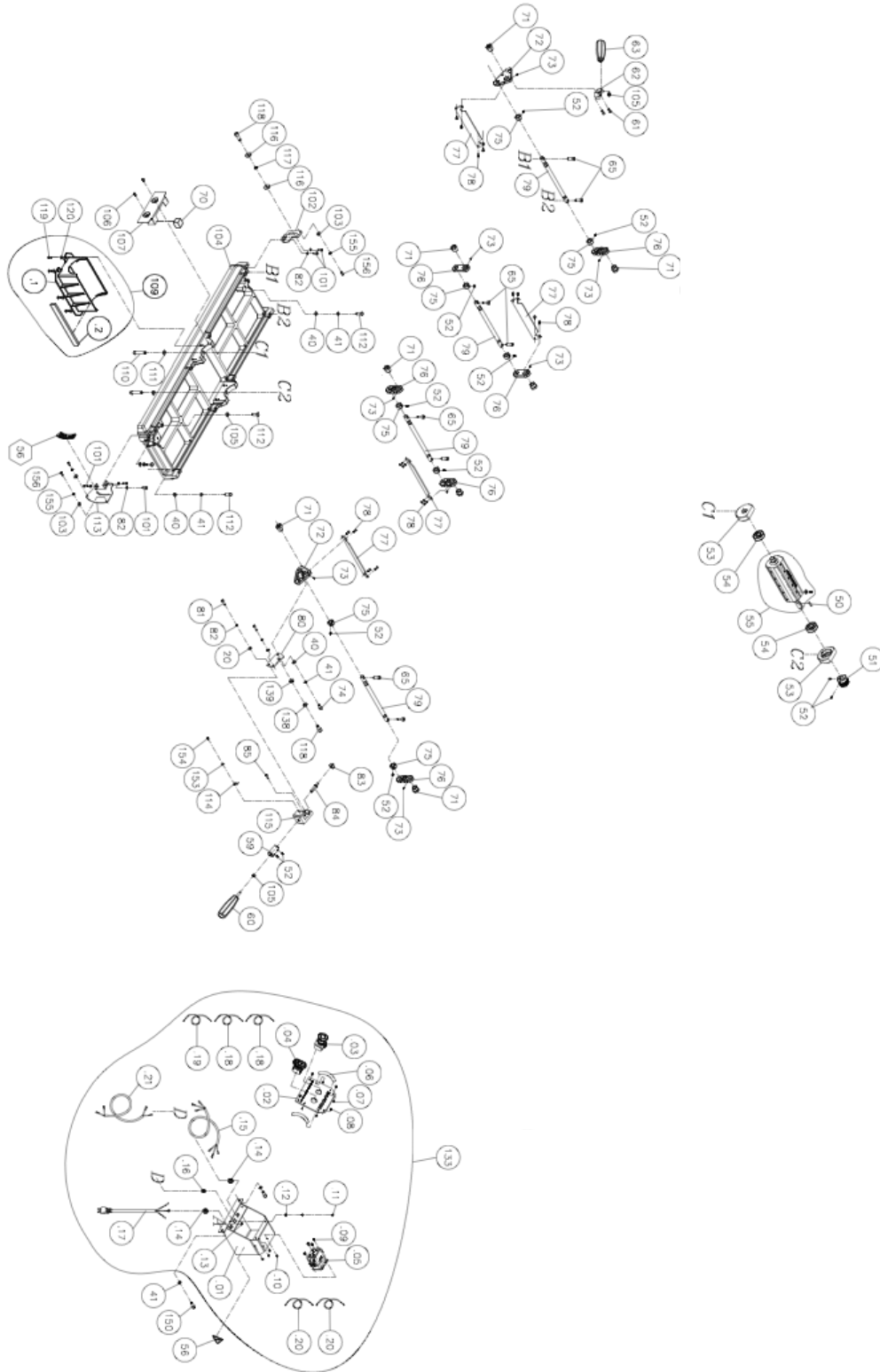
139	925093-001	Extension Roller Assembly	6"	1
140	010208-000	Retaining Ring	ETW-12	2
141	361435-902	Extension Rod		2
142	000103-103	CAP Screw	M6-1.0x12	8
143	130405-903	Bushing Block		4
144	250705-000	Wing Screw	M6-1.0P	2
145	000003-104	Hex Screw	M8-1.25x20	2
146	174792-196	Front Cover - L		1
147	006001-069	Flat Washer	10x20x3.0	1
148	008301-200	Lock Nut	M4-0.7 (7Bx5H)	4
149	491101-000	Limit Switch	MJ2-1307	2
150	280274-000	Spring		2
151	490229-615	Cover for Limit Switch		2
152	471037-103	Connect Cord	18AWG/1Cx700mm	1
153	174955-904	Limited Plate		1
154	020005-000	Strain Relief	SB8R-3	1
155	020008-000	Strain Relief	SBR5-2	1
157	340007-615	Block		5
158	000101-110	CAP Screw	M4-0.7x30	4
160	174934-156	Emergency Stop Plate		1
161	009102-100	Lock Nut	3/8"-16	4
162	250400-000	Wheel		4
163	003005-106	Hex Screw	3/8"-16x2-1/2"	4
164	004001-101	Knob		2
171	040003-000	Hex Wrench	3mm	1
172	040006-000	Hex Wrench	6mm	1
173	040201-000	Open Wrench	8/10	1
174	040203-000	Open Wrench	11/13	1
191	174932-000	Limit Switch Bracket		2
192	002401-101	Round Head Phillips Lock Screw w/Washer	M4-0.7x12/4x10x0.8	4

# JX8 EXPLODED VIEWS

## JX8 Quad Tec I Cutterhead & Body

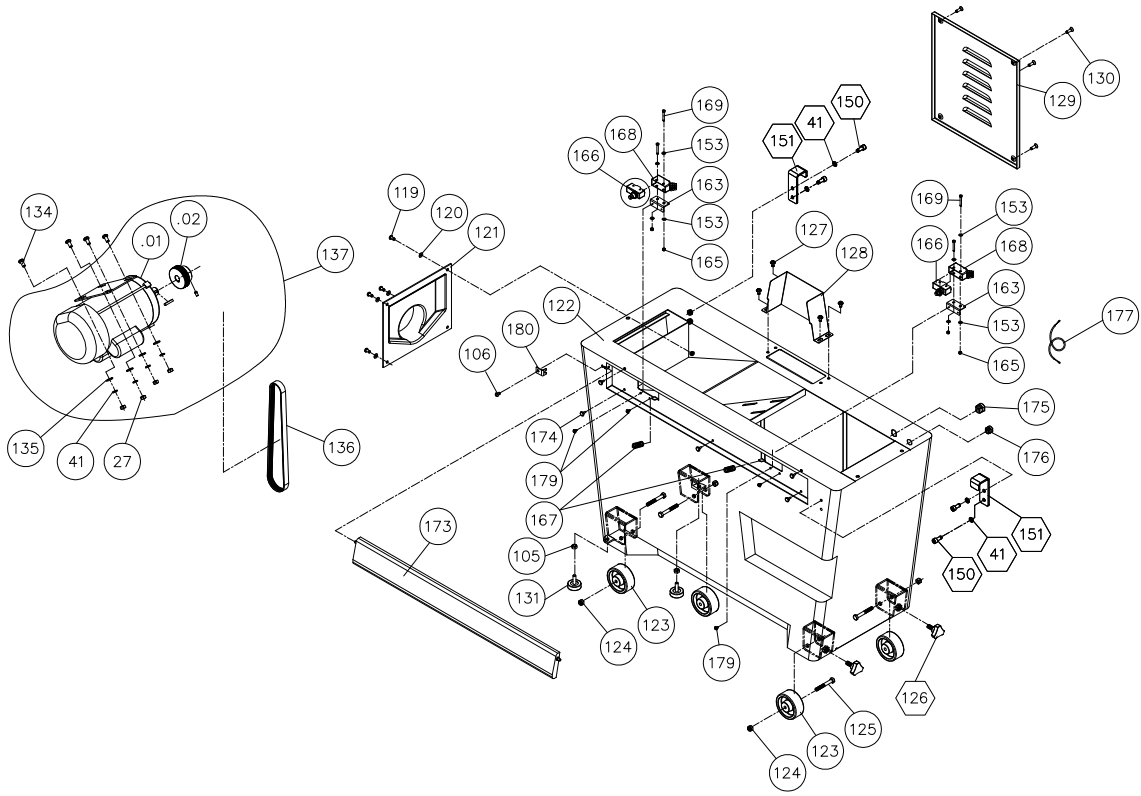


# JX8 Quad Tec I Cutterhead & Body cont.

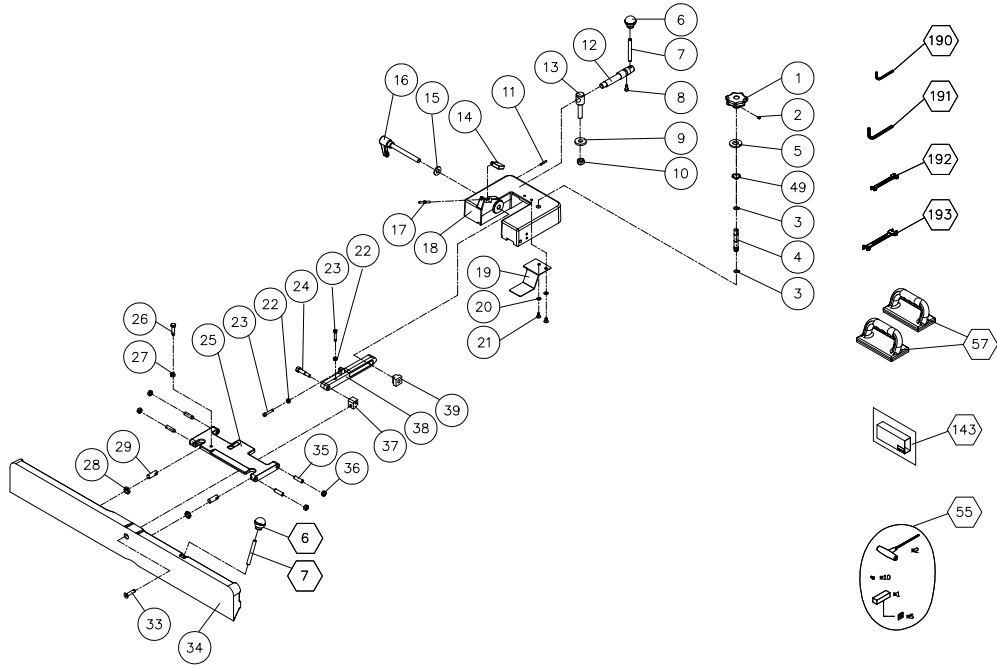




# JX8 Quad Tec I Stand & Motor



# JX8 Quad Tec I Fence



# JX8 PARTS LIST

Key	Part No.	Description	Specifications	Qty
1	240080-904	Handwheel		1
2	001902-109	SET Lock Screw	M6-1.0x6	1
3	010003-000	Retaining Ring	STW-12	2
4	381336-901	Lead Screw		1
5	006001-087	Flat Washer	12x25x1.5	1
6	250372-615	Fence Tilt Knob		2
7	360038-901	Handle Rod		2
8	003103-102	CAP Screw	1/4"-20x1/2"	1
9	172285-905	Flat Washer	13x35x5.0	1
10	009104-200	Lock Nut	1/2"-12 (19Bx15H)	1
11	011002-106	Spring Pin	4x25	1
12	360074-901	Crankshaft		1
13	360075-901	Clamping Screw		1
14	130019-903	Stop Plate		1
15	006001-091	Flat Washer	13-28x3.0	1
16	230035-000	Universal Handle		1
17	360078-000	Pin		1
18	051332-196	Fence Bracket - Upper		1
19	170127-901	Safety Plate		1
20	006001-032	Flat Washer	6.6-13x1.0	4
21	003403-102	Flat Head Phillips Screw	1/4"-20x1/2"	2
22	009004-200	Hex Nut	1/4-20 (11Bx5.5H)	2
23	003103-104	CAP Screw	1/4"-20x1-1/4"	2
24	290007-901	Bolt		1
25	051313-196	Tilt Plate		1
26	003003-106	Hex Screw	5/16"-18x1-1/4"	1
27	009005-200	Hex Nut	5/16-18 (12.7Bx6.75H)	3
28	009010-100	Hex Nut	1/2"-20 (19.05Bx6.35H)	2
29	360676-901	Stud Pivot		2
31	006001-009	Flat Washer	5.2x10x1.0	2

33	003602-101	Flat Head Hex Screw	5/16"-18x1-1/2"	1
34	051310-196	Fence		1
35	230015-901	Bolt		4
36	009022-100	Hex Nut	3/8"-16 (13.83Bx6.68H)	4
37	130008-903	Connect Block		1
38	051334-196	Fixing Rod		1
39	130383-903	Square Nut	1/2"-12	1
40	006001-049	Flat Washer	8.5-16x2.0	8
41	006305-100	Lock Washer	8.2x13.7	12
42	000104-108	CAP Screw	M8-1.25x25	4
43	011002-105	Spring Pin	4x20	1
44	380082-902	Key		1
45	000701-103	Flat Head Hex Screw	M5-0.8x12	3
46	171841-902	Lead Screw		1
41	006305-100	Lock Washer	8.2x13.7	4
47	006001-034	Flat Washer	6.7x16x2.0	3
48	051355-196	Fence Bracket		1
49	006722-100	Wave Washer	WW-19 (19.05x26)	1
50	012003-008	Key	5x5x22	1
51	381409-902	Pulley	7 Slots	1
52	001902-102	SET Lock Screw	M6-1.0x8	11
53	050095-901	Bearing Housing		2
54	030208-002	Ball Bearing	6204	2
55	925137-001	Segmented Cutterhead	4 Slots	1
	038201-101	Torx Screw	#10-32x1/2"	20
	040710-000	Torx Wrench	T-25	1
	925135-001	Knife Insert	10Pcs/Box	12
57	250035-629	Push Block		2
58	924821-001	Cutterhead Guard Assembly		1
59	381428-902	Bushing		1
60	230191-000	Miter Gauge Handle		1
61	000102-104	CAP Screw	M5-0.8x12	2
62	174786-904	Plate		1

63	230141-615	Handle		1
64	051460-197	Table	LAGUNA	2
65	002601-107	CAP Lock Screw	M8-1.25x25	16
66	361239-902	Support Shaft		4
67	006001-163	Flat Washer	8.5x19x3	2
68	051358-197	Rabbit Arm		1
69	003104-104	CAP Screw	5/16"-18x1"	1
70	200105-615	Sponge	30x30x22 (LxWxH)	1
71	130350-903	Bushing		8
72	130351-903	Connecting Rod Plate		2
73	001901-102	SET Lock Screw	M5-0.8x8	8
74	000104-104	CAP Screw	M8-1.25x16	1
75	361241-902	Bushing		8
76	130352-903	Rod Plate		6
77	174604-000	Fixing Rod Plate		4
78	002603-101	CAP Lock Screw	M5-0.8x10	16
79	361326-902	Rod		4
80	174784-904	Fixing Plate		1
81	000103-108	CAP Screw	M6-1.0x25	2
82	006303-100	Lock Washer	6.5x10.5	7
83	130393-903	Inclined Block		1
84	361370-902	Handle Shaft Bolt		1
85	002602-101	CAP Lock Screw	M6-1.0x12	9
86	361327-902	Handle Shaft Bolt		1
87	290028-901	Shoulder Screw		2
88	174603-902	Fixing Plate		1
89	009103-100	Lock Nut	1/4-20 (11Bx8H)	1
90	008004-100	Hex Nut	M5-0.8 (8Bx4H)	1
91	280082-000	Tension Spring		1
92	000102-116	CAP Screw	M5-0.8x15	1
93	200024-615	Packing		8
94	174600-196	Rear Base Cover - L		1
95	000103-102	CAP Screw	M6-1.0x10	8
96	042505-000	Cord Plug	HP-13	8

97	174601-196	Rear Base Cover - R		1
98	174599-196	Front Cover - L		1
99	174781-196	Front Cover - R		1
100	230156-615	Knob Plunger	22x1/4"-20	1
101	000103-105	CAP Screw	M6-1.0x15	5
102	174787-904	Locking Plate - L		1
103	174785-904	Fixing Plate		3
104	051441-196	Base		1
105	008006-100	Hex Nut	M8-1.25 (13Bx6.5H)	5
106	000801-101	Round Head Hex Screw	M6-1.0x10	3
107	174597-196	Cutterhead Front Cover		1
109	924665-001	Chip Hood Assembly		1
110	003111-301	CAP Screw	3/8-24x2"	2
111	006306-100	Lock Washer	9.8x17.8	2
112	000003-105	Hex Screw	M8-1.25x25	4
113	174783-904	Locking Plate - R		1
114	174782-156	Pointer		1
115	310548-911	Fixed Block		1
116	006003-080	Flat Washer	10.5x23x3.0	2
117	006703-100	Wave Washer	WW-10	1
118	000105-101	CAP Screw	M10-1.5x20	2
119	000304-203	Pan Head Screw	M6-1.0x12	8
120	006002-032	Flat Washer	6.6x13x1.0	8
121	250052-615	Dust Chute		1
122	174937-196	Stand		1
123	250399-615	Wheel		4
124	008306-100	Lock Nut	M8-1.25 (13Bx9H)	4
125	000003-313	Hex Screw	M8-1.25x60	4
126	230388-000	Triangle Knob		2
127	001603-102	Round Head Phillips Screw w/Washer	M6-1.0x10/6x13.2x1.0	4
128	174595-196	Pulley Cover		1
129	170445-196	Cover		1
130	000403-104	Flat Head Phillips Screw	M6-1.0x20	4

131	230049-000	Foot		2
132	925094-001	Extension Roller Assembly	8"	1
133	950867-001	Control Box Assembly	110-120V	1
133.1	174936-000	Control Box		1
133.2	575554-000	Switch Plate		1
133.3	491153-000	Emergency Stop Switch	NPB22-H01R	1
133.1	491223-000	Power Switch	M22DP-SF11WB	1
133.5	491186-000	Contactor	SF20C2A (110-120V)	1
133.6	300117-909	Switch Guard		2
133.7	000301-101	Pan Head Screw	M3-0.5x6	4
133.8	000804-101	Round Head Hex Screw	M5-0.8x8	4
133.9	001601-101	Round Head Phillips Screw w/Washer	M4-0.7x8/4x10x0.8	4
133.10	008103-100	Hex Cup Nut	M4-0.7	4
133.11	000302-101	Pan Head Screw	M4-0.7x6	1
133.12	006501-100	Int. Tooth Washer	4.3x8.5 (BW-4)	1
133.13	570695-000	Grounding Label		1
133.14	020005-000	Strain Relief	SB8R-3	2
133.15	473003-067	Connect Cord	SJT 14AWG/3Cx1400mm	1
133.16	020008-000	Strain Relief	SBR5-2	1
133.17	453011-048	Power Cord	SJT 14AWG/3Cx3400mm w/Plug	1
133.18	471001-001	Connect Cord	18AWG/1Cx85mm	2
133.19	471037-109	Connect Cord	18AWG/1Cx200mm	1
133.20	471037-110	Connect Cord	18AWG/1Cx200mm	2
133.21	472001-054	Connect Cord	SJT 18AWG/2Cx1500mm	1
134	003801-107	Carriage Bolt	5/16-18x3/4"	4
135	006001-053	Flat Washer	8.5x19x2.0	4
136	014361-000	Poly-V-Belt	300J-7	1
137	901336-001	Motor Assembly	1.75HP/115V/230V/60HZ/1PH Prewired 115V	1
.01	960044-001	Motor Assembly	1.75HP/115V/230V/60HZ/1PH	1
.02	381410-902	Motor Pulley	7 Slots	1
.03	001902-102	SET Lock Screw	M6-1.0x8	1



138	006307-100	Lock Washer	10.2x18.5	1
139	006001-069	Flat Washer	10x20x3.0	1
150	000104-106	CAP Screw	M8-1.25x20	2
150	000104-106	CAP Screw	M8-1.25x20	4
151	174695-902	Hook		2
153	006001-001	Flat Washer	4.3x10x1.0	9
154	000302-101	Pan Head Screw	M4-0.7x6	1
155	006502-100	Int. Tooth Washer	5.3x10 (BW-5)	3
156	000102-103	CAP Screw	M5-0.8x10	6
158	130405-903	Bushing Block		4
159	000103-103	CAP Screw	M6-1.0x12	8
160	250705-000	Wing Screw	M6-1.0	2
161	010208-000	Retaining Ring	ETW-12	2
162	361435-902	Extension Rod		2
163	174932-000	Limit Switch Bracket		2
164	000003-104	Hex Screw	M8-1.25x20	2
165	008301-200	Lock Nut	M4-0.7 (7Bx5H)	4
166	491101-000	Limit Switch	MJ2-1307	2
167	280274-000	Spring		2
168	490229-615	Limit Switch Cover	KSSCB-2	2
169	000101-110	CAP Screw	M4-0.7x30	4
173	174939-156	Emergency Stop Plate		1
174	340007-615	Block		5
175	020005-000	Strain Relief	SB8R-3	1
176	020008-000	Strain Relief	SBR5-2	1
177	471037-103	Connect Cord	18AWG/1Cx700mm	1
179	002401-101	Round Head Phillips Lock Screw w/Washer	M4-0.7x12/4x10x0.8	4
180	174955-904	Limited Plate		1
189	006001-036	Flat Washer	6.7x19x2	8
190	040003-000	Hex Wrench	3mm	1
191	040006-000	Hex Wrench	6mm	1
192	040201-000	Open Wrench	8/10mm	1
193	040203-000	Open Wrench	11/13mm	1

## **SPECIFICATIONS: JX6QuadTecI**

<b>Main Motor:</b>	1.5 HP / 3450 RPM
<b>Electrical:</b>	110V / 60Hz / 1PH
<b>Circuit:</b>	20 Amp (min.) at 110V, 1PH, 60HZ
<b>Air Volume:</b>	600 CFM (min.)
<b>Inlet:</b>	One 4" port
<b>Switch:</b>	ON/OFF for main motor, E-STOP
<b>Packing Sizes:</b>	65" x 22" x 13" & 31 x 16 x 27"

(L x W x H)	(1651 x 559 x 330mm) & (787 x 406 x 686mm)
Machine weight:	161 lbs. (73 kg.) & 88 lbs. (40 kg.)
Shipping weight:	174 lbs. (79 kg.) & 94 lbs. (43 kg.)

## **SPECIFICATIONS: JX8QuadTecI**

Main Motor:	1.75 HP / 3450 RPM
Electrical:	110V / 60Hz / 1PH
Circuit:	20 Amp (min.) at 110V, 1PH, 60HZ
Air Volume:	600 CFM (min.)
Inlet:	One 4" port
Switch:	ON/OFF for main motor, E-STOP
Packing Size:	82" x 25" x 17" & 40" x 18" x 26"
(L x W x H)	(2083 x 635 x 432mm) & (1016 x 457 x 660mm)
Machine weight:	380 lbs. (172 kg.)
Shipping weight:	319 lbs. (145 kg.) & 139 lbs. (63 kg.)

## **SUPPLIES/ACCESSORIES:**

Replacement insert knives (10 pack) #925135-001

Replacement knife screws #038201-101

Conversion Kit, 110 Volt to 220 Volt #510220

**Contact Laguna Tools for supplies :**

800.234.1976

[www.lagunatools.com](http://www.lagunatools.com)

**LAGUNA TOOLS**  
744 Refuge Way  
Suite 200  
Grand Prairie TX 75050  
800.234.1976  
[www.lagunatools.com](http://www.lagunatools.com)

021723