

REVOIEIF

Laguna REVO 1216 Woodturning Lathe Owner's Manual

SKU: MLAREVO 1216EVS



*shown with optional accessories

LAGUNA[®]
744 Refuge Way Suite 200
Grand Prairie TX 75050 U.S.A.



Service: +1 (800) 332-4049 or email customerservice@lagunatools.com lagunatools.com

LAGUNA

Laguna takes pride in our products and stands behind them with continuing service and support for our customers. Your Laguna machine was designed to bring a new dimension of productivity to your shop.

Before using your machine for the first time, learn how to use it. This manual covers a step-by-step process of assembly and machine operation. If you have any questions, this manual will provide answers.

LATEST MANUAL:

Below is a QR code which will direct you to the manual reference page, where the latest version of the REVO 12/16 manual is located on the Laguna Tools website. The online manual may have updates and information added after the printed copy was released. Scan the code with your smartphone or copy the URL link to be directed to the latest manual page to reference your specific machine and model.

<https://lagunatools.com/resources/product-manuals/#classic>



Videos

In most cases a video is the best media to cover a setup or help topic. All videos made by Laguna are uploaded and stored to youtube.com where they are then linked to websites. <https://www.youtube.com/user/LagunaTools>

Below is an URL and a QR code to a video with setup information for the REVO 12/16 lathe: access the video with the QR code, scan the code with a smart phone.

<https://lagunatools.com/classic/lathes/revo-12-16/#azt7VU8yFQc>



The information contained in this publication was correct at the time of print. In the interest of continuous innovation, we reserve the right to change specifications, design or included equipment without notice or obligation. No part of this publication may be reproduced, transmitted, or translated into any language in any form by any means without our written permission. Errors and omissions may be current.

Laguna Tools, Inc. LAGUNA® and the LAGUNA Logo® are the registered trademarks of Laguna Tools, Inc. All rights reserved. 04/01/2019



Table of Contents

Table of Contents	2
Warranty & Support	3
Registration.....	3
Who Is Covered	3
What Is Covered	3
Warranty Limitations	3
Length of Warranty	3
Shipping Damage.....	3
Safety	4
Safety Guidelines - Definitions	4
Important Safety Instructions	4
General Safety Rules.....	4
Manufacture Lathe Safety Rules.....	5
Specifications	9
Dimensions	10
External Map.....	12
Internal Map.....	13
Setup	14
Inventory	15
Installing Rubber Leveling Pads.....	16
Installing/Removing Face Plate & Hand Wheel.....	16
Installing/Removing Drive Center and Live Center	17
Changing Between Speed Groups (Pulley Steps)	18
First Use	19
Accessories & Options	20
Laguna REVO 1216 Expansion Set.....	20
Laguna REVO 1216 Lathe Stand	23
Laguna REVO 1216 Mobility Kit.....	26
Machine Lights.....	28
Maintenance	29
Changing the Belt and Bearings	30
Belt Tension.....	31
Lathe will not start.....	32
The machine will not stop	32
Motor tries to start but will not turn.	32
Squeaking noise	32
Spindle slows down during a cut	32
Machine vibrates.....	32
Digital Read Out (DRO) is displaying an error	32
Wiring	33
Parts	34
Revo 1216 Banjo, Tool Rest, Tail Stock, Centers.....	34
Revo 1216 Headstock Assembly	35
Revo 1216 Bed, Internals, Motor.....	37
Option: Laguna REVO 1216 Lathe Stand (ALAREVO1216-STAND).....	39
Option: Laguna REVO 1216 Mobility Kit (MBA14/12 WHEEL SYSTEM)	40
Option: Laguna REVO 1216 Expansion Set (ALAREVO1216 EXTENSION).....	41

WARRANTY & REGISTRATION

Thank You!

Welcome to the Laguna Tools® group of discriminating machinery owners. We understand that you have a choice of where to purchase your machines and appreciate the confidence you have in the Laguna Tools® brand.

Through hands-on experience, Laguna Tools® is constantly working hard to make innovative, precision products. Products that inspire you to create works of art are a joy to operate and encourage your best work.

Laguna Tools®
Imagination, Innovation, and Invention at Work

Warranty & Registration

Every product sold is warranted to be free of manufacturer's defective workmanship, parts, and materials. For any questions about this produce, the intended use or what it was designed for, customer service, or replacement parts, please contact our customer service department:

Laguna Tools® Customer Service
744 Refuge Way, Grand Prairie, Texas 75050, USA
1-800-234-1976
customerservice@lagunatools.com
www.lagunatools.com/why/customer-service/
8AM. To 5PM PSF. Monday through Friday

For warranty claims or to report damage upon receiving-please reach out to our warranty department:

Laguna Tools® Warranty Service
744 Refuge Way, Grand Prairie, Texas 75050, USA
1-800-234-1976
customerservice@lagunatools.com
www.lagunatools.com/policies/warranty
8AM to 5PM PST, Monday through Friday

Registration

To prevent voiding this warranty, all products sold must be registered within thirty (30) days of receiving the product. Registering the product will enable the original purchaser to receive notifications about important product changes, receive customer service, and be able to file a warranty claim against defective workmanship, parts, or materials.



Who is Covered

The applicable warranty covers only the initial purchaser of the product from the date of receiving the product. To file such claims, the original purchaser must present the original receipt as proof of purchase.

What is Covered

The warranty covers any defects in the workmanship of all parts and materials that make up the machine unless otherwise specified. Any part determined by Laguna Tools® to have a defect will be repaired or replaced (and shipped), without charge. The defective item/part must be returned to Laguna Tools® with the complaint and proof of purchase in the original packaging that it was received in. In the event the item/part is determined to be not covered by this warranty, the customer will be responsible for the cost to replace the item/part and all related shipping charges

Warranty Limitations

This limited warranty does not apply to natural disasters, acts of terrorism, normal wear and tear, product failure due to lack of maintenance or cleaning, damage caused by accident, neglect, or lack-of inadequate dust collection. The warranty may be voided against proof of misuse/abuse, damage caused where repair or alterations have been made or attempted by others, using the product for purposes other than those described as intended use (unless with consent by Laguna Tools®), modification to the product, or use with an accessory that was not designed for the product. It is the responsibility of the user to understand basic machinery settings and procedures and to properly maintain the equipment in accordance with the standards provided in this manual.

Length of Warranty

All new machines and optional accessories sold through an authorized dealer carry a two-year warranty effective from the date of receiving the product. Machines sold for either commercial or industrial use have a one-year warranty. Wearable parts like throat plates, bandsaw guides, etc., have a ninety-day warranty.

Table A-1 Warranty Lengths

2 Year – New Machines Sold Through an Authorized Dealer
2 Year – Accessories Sold as Machine Options (excluding blades)
1 Year – Machines Sold for Commercial or Industrial Use
1 Year – Blades and Accessories outside of Machine Options
90 Days – Wearable Parts

Aside from being free of defects upon receiving, consumable parts, like cutters and abrasives, are not covered by this warranty unless otherwise stated by Laguna Tools®. These parts are designed to be used at the expense of the operator and are available for replacement or inventory purchase. The determination of a consumable part will be made on a case-by-case basis by Laguna Tools®.

Shipping Damage

Laguna Tools® is not responsible for damage or loss caused by a freight company or other circumstances not in the direct control of Laguna Tools®. All shipping-related claims for loss or damage to goods must be made to Laguna Tools® within twenty-four hours of delivery.

How to Receive Support

To file a warranty-claim please contact the warranty department at 1-800-234-1976. To receive customer service or technical support please contact the customer service or technical support please contact the customer service department at 1-800-332-4049. Parts, under warranty, are shipped at the expense of Laguna Tools® either by common carrier, FedEx ground services or similar method. Technical support to install replacement parts is primarily provided by phone, fax, email, or the Laguna Tools® Customer Service Support Website.



Safety

Read and understand all warnings and operation instructions before using any tool or equipment. Always follow basic safety precautions to reduce the risk of personal injury. Improper operation, maintenance or modification of tools or equipment could result in serious injury and property damage. There are certain applications for which tools and equipment are designed. This product should NOT be modified and/or used for any application other than for which it was designed.

It is important for you to read and understand this manual. The information it contains relates to protecting your safety and preventing problems.

Safety Guidelines - Definitions

This manual contains information that is important for you to know and understand. This information relates to protecting your safety and preventing equipment problems. To help you recognize this information, we use the symbols below. Please read the manual and pay attention to these sections.

⚠ DANGER! or **DANGER!** Indicates an imminently hazardous situation which, if not avoided, will result in death or serious injury.

⚠ WARNING! or **WARNING!** Indicates a potentially hazardous situation which, if not avoided, could result in death or serious injury.

⚠ CAUTION! or **CAUTION!** Indicates a potentially hazardous situation which, if not avoided, may result in minor or moderate injury.

TECH TIP Indicates a helpful tip from our technical staff.

Important Safety Instructions

⚠ WARNING! Read and understand all warnings and operating instructions before using this equipment. Failure to follow all instructions listed below, may result in electric shock, fire, and/or serious personal injury or property damage.

Woodworking can be dangerous if safe and proper operating procedures are not followed. As with all machinery, there are certain hazards involved with the operation of the product. Using the machine with respect and caution will considerably lessen the possibility of personal injury. However, if normal safety precautions are overlooked or ignored, personal injury to the operator may result. Safety equipment such as guards, push sticks, hold-downs, feather boards, goggles, dust masks and hearing protection can reduce your potential for injury. But even the best guard won't make up for poor judgment, carelessness, or inattention. Always use common sense and exercise caution in the workshop. If a procedure feels dangerous, don't try it. Figure out an alternative procedure that feels safer. **REMEMBER:** Your personal safety is your responsibility.

⚠ WARNING! This machine was designed for certain applications only. We strongly recommend that this machine not be modified and/or used for any application other than that for which it was designed. If you have any questions relative to a particular application, do not use the machine until you have first contacted the manufacturer to determine if it can or should be performed on the product.

If you have any questions relative to its application do not use the product until you have contacted the manufacturer and we have advised you.

General Safety Rules

⚠ WARNING! FAILURE TO FOLLOW THESE RULES MAY RESULT IN SERIOUS PERSONAL INJURY.

FOR YOUR OWN SAFETY, READ AND UNDERSTAND THE INSTRUCTION MANUAL BEFORE OPERATING THE MACHINE. Learn the unit's application and limitations as well as the specific hazards peculiar to it.

KEEP WORK AREA CLEAN. Cluttered areas and benches invite accidents.

DON'T USE IN DANGEROUS ENVIRONMENT. Don't use this unit in damp or wet locations or expose it to rain. Keep work area well-lighted.

KEEP CHILDREN AND VISITORS AWAY. All children and visitors should be maintain a safe distance from work area.

DISCONNECT UNIT before servicing.

CHECK DAMAGED PARTS. Before further use of the unit, properly repair or replace any part that is damaged.

Manufacture Lathe Safety Rules

WARNING! For Your Own Safety Read Instruction Manual before Operating Lathe

- (a) Wear eye protection.
- (b) Do not wear gloves, a necktie, or loose clothing.
- (c) Tighten all locks before operating.
- (d) Rotate work piece by hand before applying power.
- (e) Rough out work piece before installing on faceplate.
- (f) Do not mount split work piece or one containing a knot.
- (g) Use lowest speed when starting new work piece.

SAFETY RULES

1. KEEP GUARDS IN PLACE and in working order.
2. REMOVE ADJUSTING KEYS AND WRENCHES. Form habit of checking to see that keys and adjusting wrenches are removed from tool before turning it on.
3. KEEP WORK AREA CLEAN. Cluttered areas and benches invite accidents.
4. DON'T USE IN A DANGEROUS ENVIRONMENT. Don't use power tools in damp or wet locations, or expose them to rain. Keep work area well lighted.
5. KEEP CHILDREN AWAY. All visitors should be kept at a safe distance from the work area.
6. MAKE YOUR WORKSHOP KID PROOF with padlocks, master switches, or by removing starter keys.
7. DON'T FORCE TOOL. It will do the job better and safer at the rate for which it was designed.
8. USE RIGHT TOOL. Don't force tool or attachment to do a job for which it was not designed.
9. USE PROPER EXTENSION CORD. Make sure your extension cord is in good condition. When using an extension cord, be sure to use one heavy enough to carry the current your product will draw. An undersized cord will cause a drop in line voltage resulting in loss of power and overheating. Table A shows the correct size to use depending on cord length and nameplate ampere rating. If in doubt, use the next heavier gauge. The smaller the gauge number, the heavier the chord.
10. WEAR PROPER APPAREL Do not wear loose clothing, gloves, neckties, rings, bracelets, or other jewelry which may get caught in moving parts. Nonslip footwear is recommended. Wear protective hair covering to contain long hair.
11. ALWAYS USE SAFETY GLASSES. Also use a face or dust mask if cutting operation is dusty. Everyday eyeglasses only have impact resistant lenses, they are NOT safety glasses.
12. SECURE WORK. Use clamps or a vise to hold the work when practical. It's safer than using your hand and it frees both hands to operate the tool.
13. DON'T OVERREACH. Keep proper footing and balance at all times.
14. MAINTAIN TOOLS WITH CARE. Keep tools sharp and clean for best and safest performance. Follow instructions for lubricating and changing accessories.
15. DISCONNECT TOOLS before servicing and when changing accessories, such as blades, bits, cutters, and the like.
16. REDUCE THE RISK OF UNINTENTIONAL STARTING. Make sure power switch is in the OFF position before plugging the machine in.
17. USE RECOMMENDED ACCESSORIES. Consult the owner's manual for recommended accessories. The use of improper accessories may cause risk of injury to persons.
18. NEVER STAND ON TOOL Serious injury could occur if the tool is tipped or if the cutting tool is unintentionally contacted.
19. CHECK DAMAGED PARTS. Before further use of the tool, a guard or other part that is damaged should be carefully checked to determine that it will operate properly and perform its intended function - check for alignment of moving parts, binding of moving parts, breakage of parts, mounting, and any other conditions that may affect its operation. A guard or other part that is damaged should be properly repaired or replaced.
20. DIRECTION OF FEED. Feed work into a blade or cutter against the direction of rotation of the blade or cutter only.
21. NEVER LEAVE TOOL RUNNING UNATTENDED. TURN POWER OFF. Don't leave tool until it comes to a complete stop.

-
- AVERTISSEMENT!** Pour votre sécurité, lire le manuel d'instru on a en vement avant d' liser le tour à bois.
- (a) Portez des lune es de protec
 - (b) Ne pas porter de gants, de cravate, ou de vêtements amples.
 - (c) Serrer tous les verrous avant d'opérer la machine.
 - (d) Tourner la pièce à la main avant d'appliquer le courant.
 - (e) Débiter grossièrement la pièce avant de l'installer sur le plateau de montage.
 - (f) Ne pas monter une pièce fendue ou comportant un noeud.

(g) Utiliser la vitesse la plus lente au démarrage d'une nouvelle pièce.

RÈGLES DE L'OPÉRATEUR

1. CONSERVEZ TOUS LES DISPOSITIFS DE PROTECTION EN PLACE et en bon état de fonctionnement.
2. ENLEVEZ LES CLÉS ET OUTILS. Prenez l'habitude de vérifier si les clés et autres outils ne sont pas trop près de la machine avant de la démarrer.
3. CONSERVEZ LA SURFACE DE TRAVAIL PROPRE ET LIBRE D'ENTRAVES. Les endroits encombrés augmentent le risque d'accident.
4. NE PAS UTILISER DANS LES ENVIRONNEMENTS DANGEREUX. N'utilisez pas d'outils électriques dans les endroits humides, détrempés, ou sous la pluie. Conservez l'espace de travail bien éclairé.
5. TENEZ LES ENFANTS À L'ÉCART. Tous les visiteurs doivent être tenus à une distance sécuritaire de l'aire de travail.
6. RENDEZ L'ATELIER À L'ÉPREUVE DES ENFANTS avec des verrous, des interrupteurs principaux ou en enlevant les clés de démarrage sur les machines.
7. NE FORCEZ PAS L'OUTIL. L'opérateur effectuera un meilleur travail et de façon sécuritaire s'il est utilisé au rythme pour lequel il a été conçu.
8. UTILISEZ L'OUTIL APPROPRIÉ. Ne forcez pas un outil ou un accessoire pour effectuer un travail pour lequel il n'a pas été conçu.
9. UTILISEZ UNE RALLONGE ÉLECTRIQUE APPROPRIÉE. Assurez-vous que votre rallonge électrique est en bon état et que le calibre du filage soit adéquat pour transporter le courant que la machine a besoin. Une rallonge de trop faible calibre induira une perte d'intensité du voltage, ce qui provoquera une surchauffe et une perte de puissance. Le tableau A indique le bon calibre à utiliser en fonction de la longueur de la rallonge et de la demande en intensité du moteur. En cas de doute, utilisez la rallonge de calibre plus fort. Plus le numéro est petit, plus la rallonge est de fort calibre.
10. PORTEZ DES VÊTEMENTS APPROPRIÉS. Ne portez pas de vêtements amples, des gants, des colliers, des bracelets, ou tout autre bijou ou accessoire qui pourrait être entraîné par des pièces mobiles. Des souliers à semelle antidérapante sont également recommandés. Rassez les cheveux longs et portez un bonnet pour contenir la chevelure trop abondante.
11. PORTEZ DES LUNETTES DE PROTECTION. Portez également un masque contre la poussière si le travail exécuté dégage de la poussière. Veuillez prendre note que les lunettes de prescription ordinaire ne résistent pas aux impacts et qu'elles ne sont pas homologuées à des fins de sécurité.
12. IMMOBILISEZ VOTRE TRAVAIL. Utilisez des serres ou un étau pour immobiliser votre travail lorsque c'est possible. C'est plus sécuritaire que d'utiliser votre main, et ça permet de libérer vos deux mains pour opérer confortablement.
13. NE VOUS ÉTIREZ PAS AU-DESSUS DE LA MACHINE. Demeurez solidement en équilibre sur vos pieds en tout temps.
14. ENTRETENEZ LES OUTILS AVEC SOIN. Gardez les outils de coupe tranchants et propres pour en tirer les meilleures performances. Suivez les instructions du fabricant pour la lubrification et l'entretien des accessoires.
15. DÉBRANCHEZ LES OUTILS avant d'en effectuer l'entretien ou lors du changement d'accessoires tels que lames ou couteaux.
16. RÉDUISEZ LES RISQUES DE DÉMARRAGE NON INTENTIONNEL. Assurez-vous que l'interrupteur est en position fermée avant le branchement d'un outil.
17. UTILISEZ LES ACCESSOIRES RECOMMANDÉS. Consultez le manuel d'instructions pour connaître les accessoires recommandés. L'utilisation d'accessoires inappropriés pose des risques de blessures aux utilisateurs.
18. NE VOUS TENEZ JAMAIS DEBOUT SUR UNE MACHINE. Des blessures graves pourraient survenir si la machine bascule ou si les outils coupants sont touchés accidentellement.
19. VÉRIFIEZ LES PIÈCES ENDOMMAGÉES. Avant de poursuivre l'utilisation d'un outil, tout dispositif de protection ou toute pièce endommagée devra être inspecté pour déterminer si elle peut fonctionner correctement et selon l'utilisation qui en est prévue. Vérifiez l'alignement des pièces mobiles à savoir s'il y a un blocage, un bris, ou toute autre condition qui nuirait à son utilisation. Une pièce ou un protecteur endommagé doit être réparé ou remplacé.
20. SENS D'ALIMENTATION. Alimentez la pièce vers la lame ou le couteau dans le sens contraire de sa rotation seulement.
21. NE LAISSEZ JAMAIS UN OUTIL FONCTIONNER DANS SURVEILLANCE – ÉTEIGNEZ L'OUTIL. Ne laissez pas l'outil sans surveillance jusqu'à ce qu'il s'arrête complètement.

TABLE A						
Ampere Rating		Volts	Total length of cord in feet			
		120	25	50	100	150
		240	50	100	200	300
More Than	Not More Than		Minimum gage for cord			
0	6		18	16	16	14
6	10		18	16	14	12
10	12		16	16	14	12
12	16		14	12	Not Recommended	

GROUNDING INSTRUCTIONS

- All grounded, cord-connected tools:

In the event of a malfunction or breakdown, grounding provides a path of least resistance for electric current to reduce the risk of electric shock. This tool is equipped with an electric cord having an equipment-grounding conductor and a grounding plug. The plug must be plugged into a matching outlet that is properly installed and grounded in accordance with all local codes and ordinances. Do not modify the plug provided - if it will not fit the outlet, have the proper outlet installed by a qualified electrician.

Improper connection of the equipment-grounding conductor can result in a risk of electric shock. The conductor with insulation having an outer surface that is green with or without yellow stripes is the equipment-grounding conductor. If repair or replacement of the electric cord or plug is necessary, do not connect the equipment-grounding conductor to a live terminal.

Check with a qualified electrician or service personnel if the grounding instructions are not completely understood, or if in doubt as to whether the tool is properly grounded.

Use only 3-wire extension cords that have 3-prong grounding plugs and 3 pole receptacles that accept the tool's plug.

Repair or replace damaged or worn cord immediately.

- Grounded, cord-connected tools intended for use on a supply circuit having a nominal rating less than 150 volts:

This tool is intended for use on a circuit that has an outlet that looks like the one illustrated in Sketch A in Fig. 1. The tool has a grounding plug that looks like the plug illustrated in Sketch A in Fig. 1. A temporary adapter, which looks like the adapter illustrated in Sketch B and C, may be used to connect this plug to a 2 pole receptacle as shown in Sketch B if a

properly grounded outlet is not available. The temporary adapter should be used only until a properly grounded outlet can be installed by a qualified electrician. This adapter is not permitted in Canada. The green-colored rigid ear, lug, and the like, extending from the adapter must be connected to a permanent ground such as a properly grounded outlet box.

- Grounded, cord-connected tools intended for use on a supply circuit having a nominal rating between 150 – 250 volts, inclusive:

This tool is intended for use on a circuit that has an outlet that looks like the one illustrated in Sketch D. The tool has a grounding plug that looks like the plug illustrated in Sketch D. Make sure the tool is connected to an outlet having the same configuration as the plug. No adapter is available or should be used with this tool. If the tool must be reconnected for use on a different type of electric circuit, the reconnection should be made by qualified service personnel; and after reconnection, the tool should comply with all local codes and ordinances.

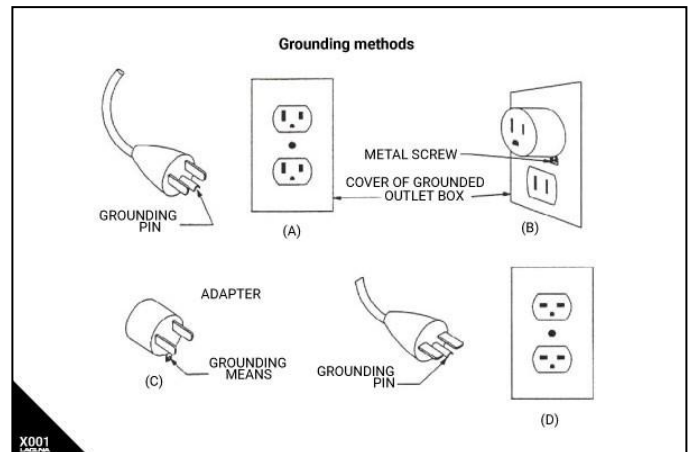


Fig X001: Grounding Methods Provided by CSA Group. (A) Receptacle with nominal rating less than 150 volts. (B) 150 volt receptacle without grounding pin fitted with adapter. (C) Grounding receptacle adapter. (D) Receptacle with nominal rating between 150 - 250 volts.

LOCKING THE LATHE

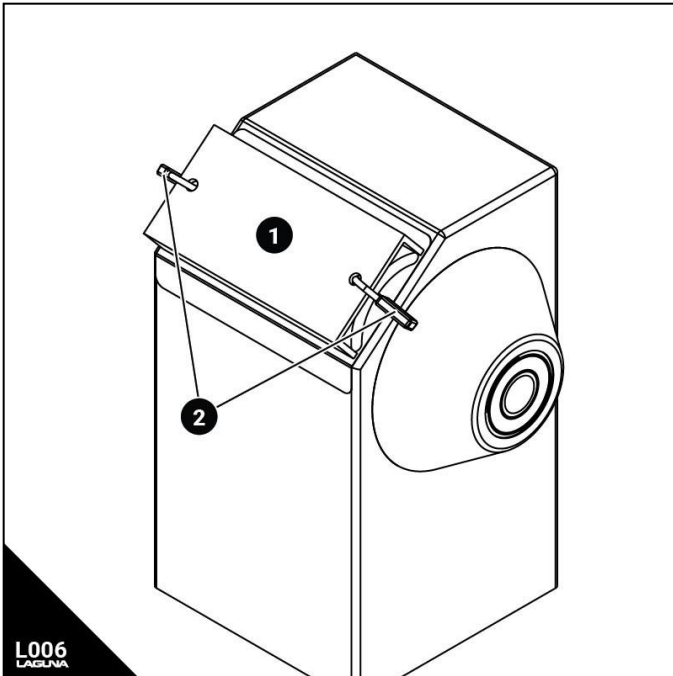


Fig L006 - Method of locking the Laguna Revo Lathe. (1) Constructed 3 side box with padlock holes. (2) Padlocks.

It is strongly recommended that the lathe is never left unattended in an unlocked condition. To lock the machine, it is recommended that a cover (not supplied) is constructed according to the supplied concept displayed in Fig L006.

Noise Emission

Given that there exists a relationship between noise level and exposure times, it is not precise enough to determine the need for supplementary precautions. The factors affecting the true level of exposure to operators are clearly the amount of time exposed, the characteristics of the working environment, other sources of dust and noise etc. For example, adjacent machines in other words the level of ambient noise. It is possible that exposure level limits will vary from country to country.

PROPOSITION 65 WARNING OF HARMFUL EXPOSURE

Some dust created by power sanding, sawing, grinding, drilling and other construction activities contains chemicals known to cause cancer, birth defects or other reproductive harm. Some examples of these chemicals are:

- Lead from lead-based paint.
- Crystalline silica from bricks, cement, and other masonry products.
- Arsenic and chromium from chemically treated lumber.

Your risk of exposure varies, depending on how often you do this type of work. To reduce your exposure to

these chemicals, work in a well-ventilated area and work with approved safety equipment, such as face or dust masks that are specifically designed to filter out microscopic particles.

Save these instructions.

Refer to them often and use them to instruct others

Specifications

Specifications

NAME	Laguna REVO 1216 Woodturning Lathe
SKU	MLAREVO1216EVS
MPN:.....	MLAREVO1216EVS
PID:.....	07211-01
Package Dimensions (LxWxH)	L35.8" W14.6" H20.5"
Product Assembled Dimensions (LxWxH):	L29.4" W8.9" H17.4"
Package Weight.....	125LB (56.7KG)
Product Weight	118LB (53.5KG)
Product Category.....	Turning Machines
Product Subcategory	Woodworking Lathe Machines
Certifications	CSA C/US 256540

Dimensions

Overall Size	L29.4" W8.9" H17.4"(746.8mm,226mm, 442mm)
Floor to bed height.....	6.7" (170mm) no pads
Floor to Spindle Center	13" (328.75mm) no pads
Bed Length	29.4" (746.8mm)
Tool Rest Length.....	8" (203.2mm)
Tool Rest Post Dia.....	1" (25.4mm)
Faceplate Dia	3" (76.2mm)

Lathe Specifications

Speed Range High	650 - 3500 RPM
Speed Range Mid.....	325 - 1750 RPM
Speed Range Low.....	50 - 525 RPM
Distance Between Centers.....	15.5" (394mm)
Swing Over Bed.....	12-1/2"(318mm)
Swing Over Banjo.....	9-1/2"(241mm)
Spindle Bore	3/8"(9.5mm)
Spindle Taper	MT2
Spindle Thread	1"x 8 TPI (both ends)
Front Bearing	6006LLU
Rear Bearing.....	6005LLU
Indexing	24 positions w/ Lock
Inverter	PWM inverter
Drive belt.....	6 Groove Poly-V Belt
Tail stock quill travel.....	2-1/2"(63.5mm)
Tail stock taper	MT2

Materials

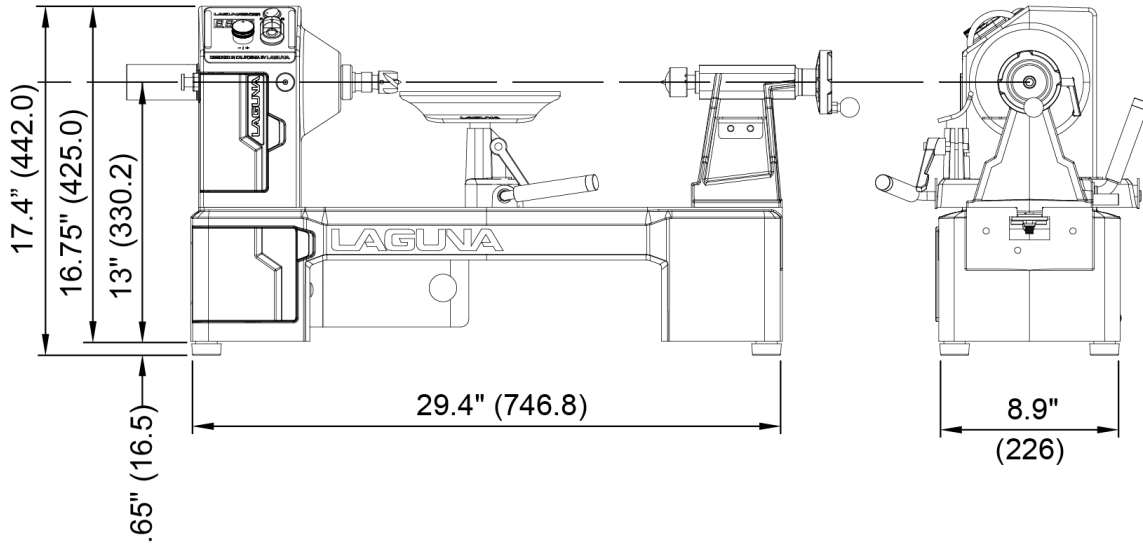
BED	Cast Iron
Head/tail Stock.....	Cast Iron
Legs or Base (optional)	Steel
Tool Rest	1045 Steel
Tool Rest Contact Rod.....	6mm (DIA) Hardened 1045 Steel
Banjo	Cast Iron

Features

Spring Loaded Spindle Lock.....	Standard
Outboard Turning	Optional
Self-Ejecting Tail stock Removal	Standard
Tool Storage	Standard
Live Center	Standard
Drive Center.....	Standard
Faceplate.....	Standard
Reverse Rotation	Standard
Operator Height Adjustment	Optional

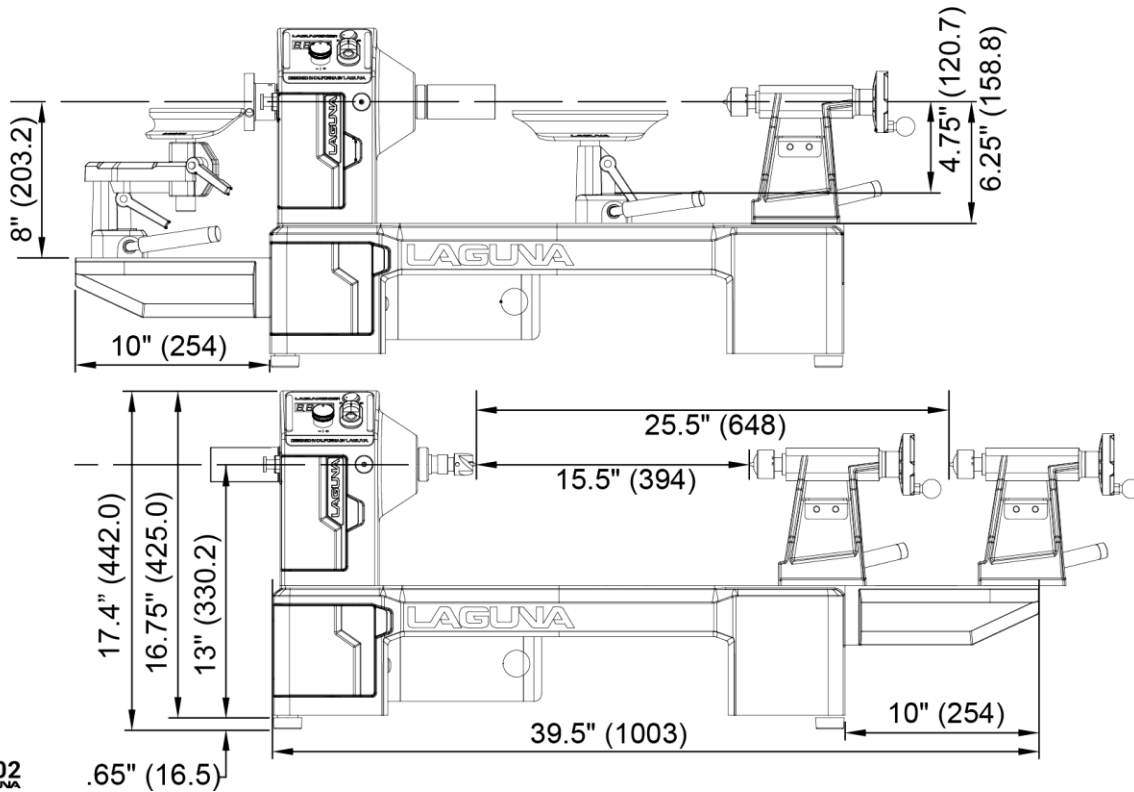
Dimensions

Laguna Revo 1216 Woodturning Lathe



LD01
LAGUNA

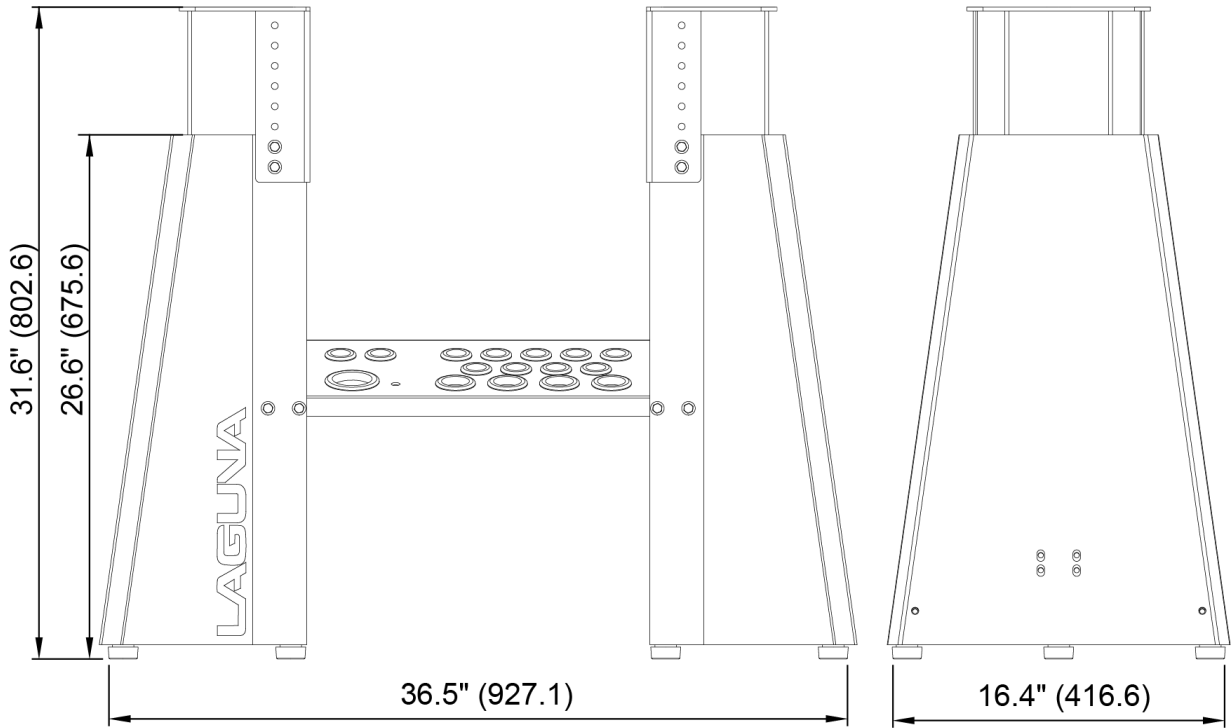
Laguna Revo 1216 Expansion Set



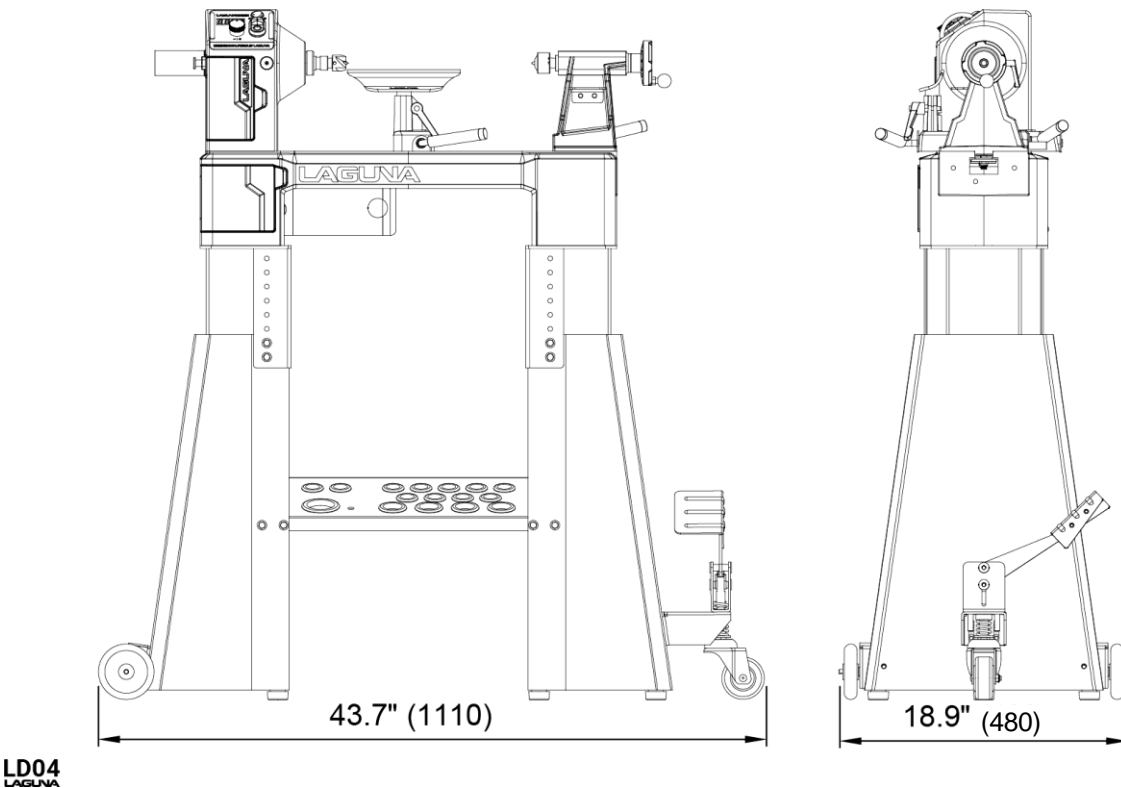
LD02
LAGUNA

Specifications

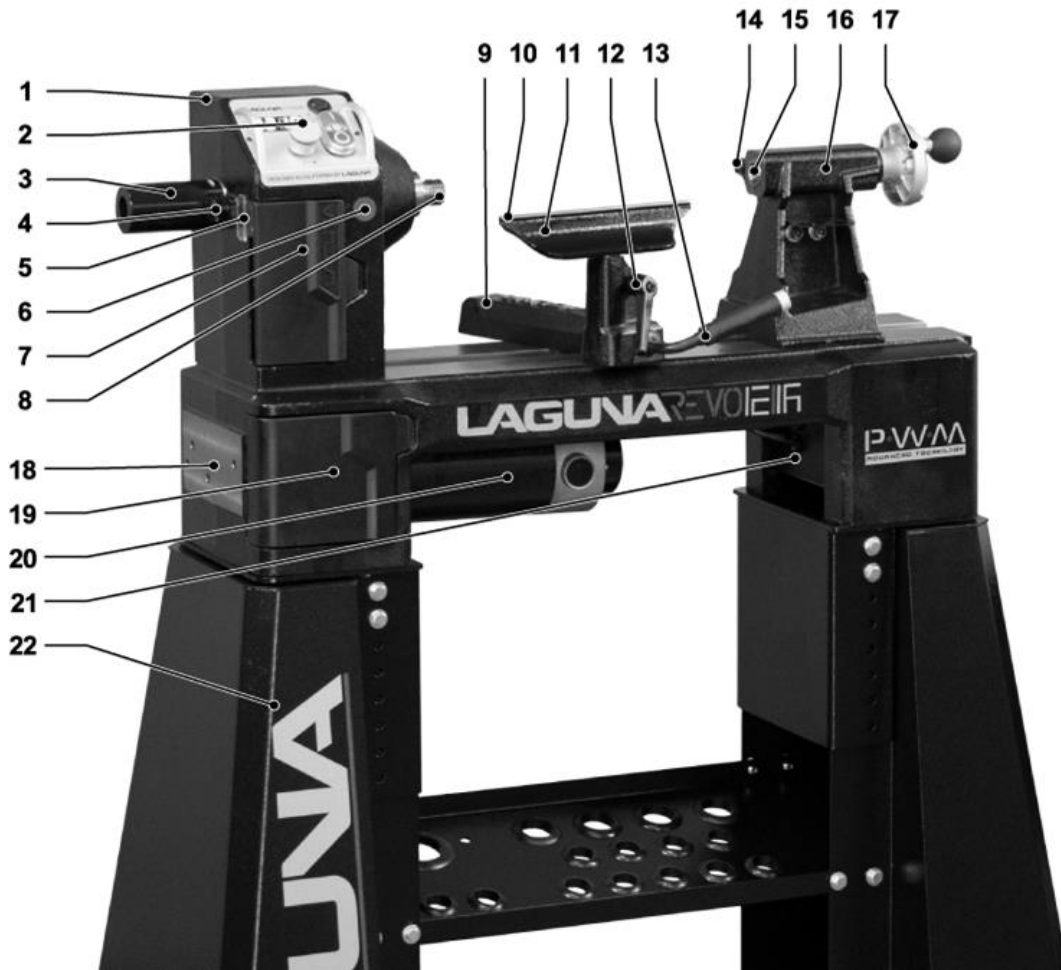
Laguna Revo 1216 Stand



Laguna Revo 1216 Mobility Kit

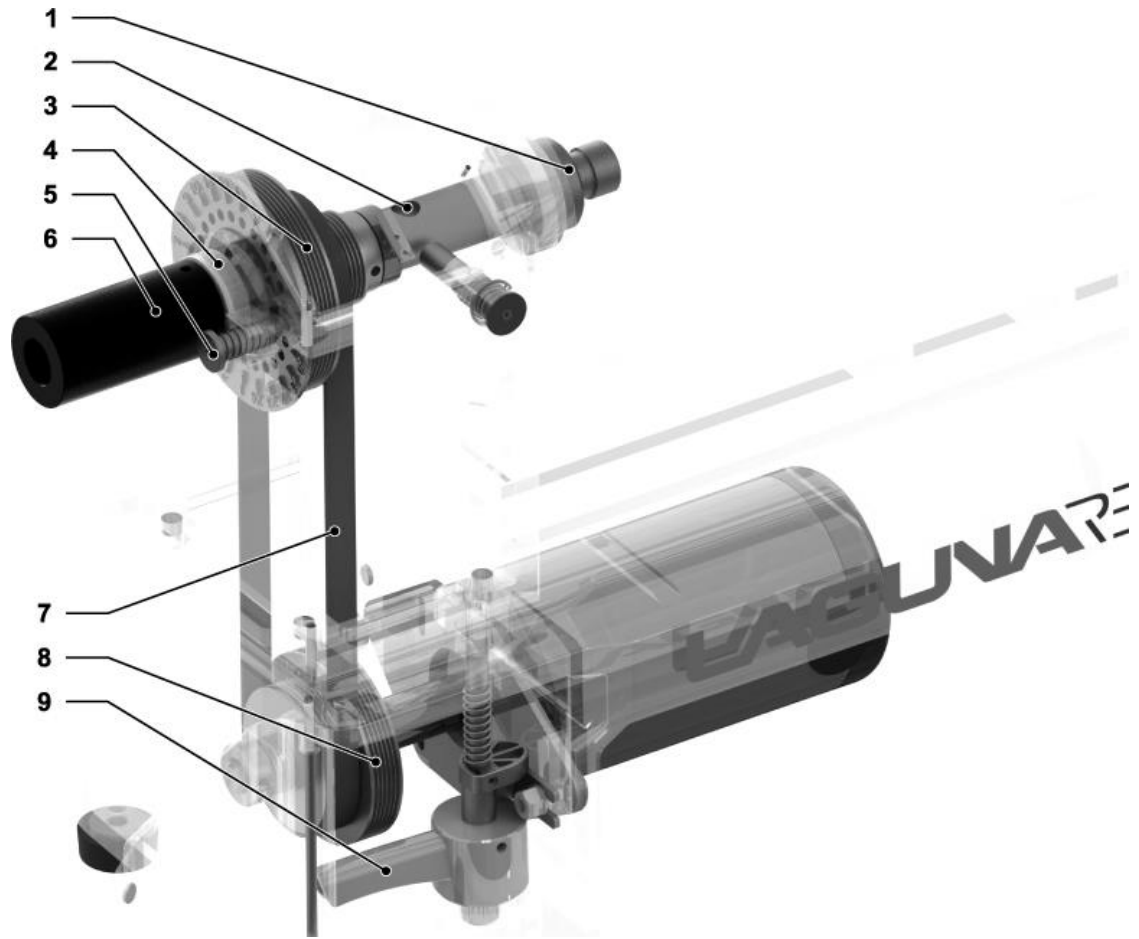


External Map



- 1 Headstock
- 2 Control Panel
- 3 Spindle Hand Brake
- 4 Indexing Lock
- 5 Indexing View Port
- 6 Spindle Lock
- 7 Upper Belt Door
- 8 Spindle
- 9 Banjo
- 10 Hardened Steel Leading Edge
- 11 Tool Rest
- 12 Tool Rest Lock
- 13 Banjo Lock
- 14 Quill Lock
- 15 Quill
- 16 Tail Stock
- 17 Hand Wheel
- 18 Expansion Mount
- 19 Lower Belt Door
- 20 Motor
- 21 Controller
- 22 Stand

Internal Map



- 1 Front Bearing (Press Fit)
- 2 Spindle Lock Boring
- 3 Upper Belt Pulley Steps
- 4 Rear Bearing (Floating)
- 5 Indexing Lock
- 6 Spindle Hand Brake
- 7 Belt
- 8 Lower Belt Pulley Steps
- 9 Belt Tension Lock

Setup

⚠ WARNING! Never perform any setup, maintenance or adjustments with the machine connected to the power source!

⚠ WARNING! If you have any doubt about the described procedure, seek professional assistance. Do not attempt any procedure that you feel is unsafe, or that you do not have the physical capability of achieving.

⚠ WARNING! When removing packaging banding, extreme caution must be used as the banding will spring when cut.

⚠ CAUTION! The machine is heavy. Ensure that you have enough people to do the job safely.

TECH TIP ⚙ There may be sawdust in or around your new machine as a result of thorough testing.

TECH TIP ⚙ The indexing numbers used to describe images are not the same as those indexing numbers used to describe the individual parts in the Parts Section exploded views. This is done solely to help with assembly and give better instructions to those receiving the machine new. When ordering replacement parts, please only consult the part numbers and reference images in the Parts Section.

The machine comes as assembled as possible without impacting shipping costs. With this, there will always be some setup procedures and adjustments that the craftsman must perform prior to using the machine. Those setup sections that must be done to complete the assembly of the machine are in the General Setup sub-section. Those help topics for making operational changes to the machine to set up for a different function are in the Functional Setup Section. All help topics pertaining to the proper setup of accessories are in the Accessories & Options Setup sub-section.

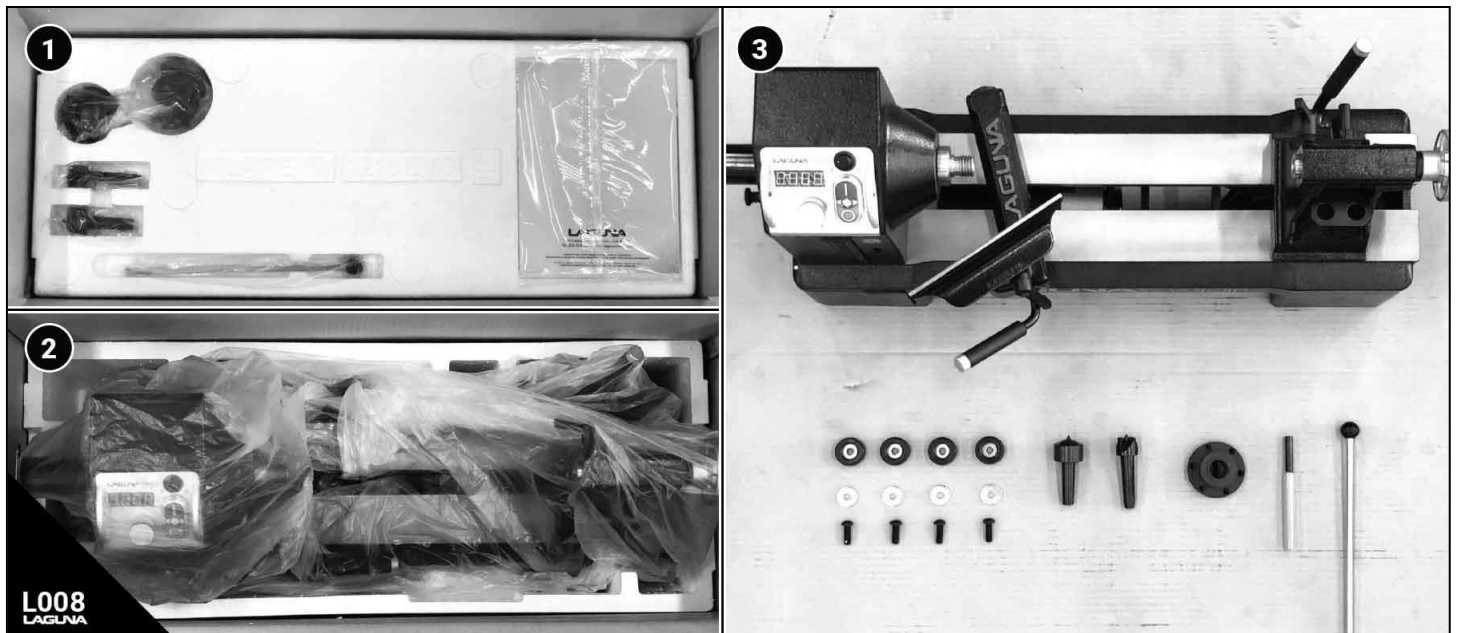


Fig L008: Receiving and unboxing the REVO 1216 Lathe. (1) Unboxing Contents. (2) Lathe in box. (3) Components unboxed.

Receiving

It is likely that your machine will be delivered by a third party. Before unboxing, be sure to inspect the packaging and shipping documents supplied by the driver. Ensure that there is no visible damage to the shipment. If any damage has occurred because of shipment, note the damage on the bill of lading or refuse the shipment. Immediately call the dealer store where the machine was purchased.

1. Never accept a shipment that is damaged or partial without notifying the shipping company and the purchasing store.

Placement

Prior to removing the machine from the packaging, decide the operating location of the machine. The dimensions and floor space can be found here: [Dimensions](#).

1. There should be sufficient area at the front of the machine to allow you to work on it comfortably.
2. There should be sufficient area at the back of the machine to allow access for adjustments and maintenance to be conducted.
3. The better the lighting the more accurately and safely you will be able to work.

Setup

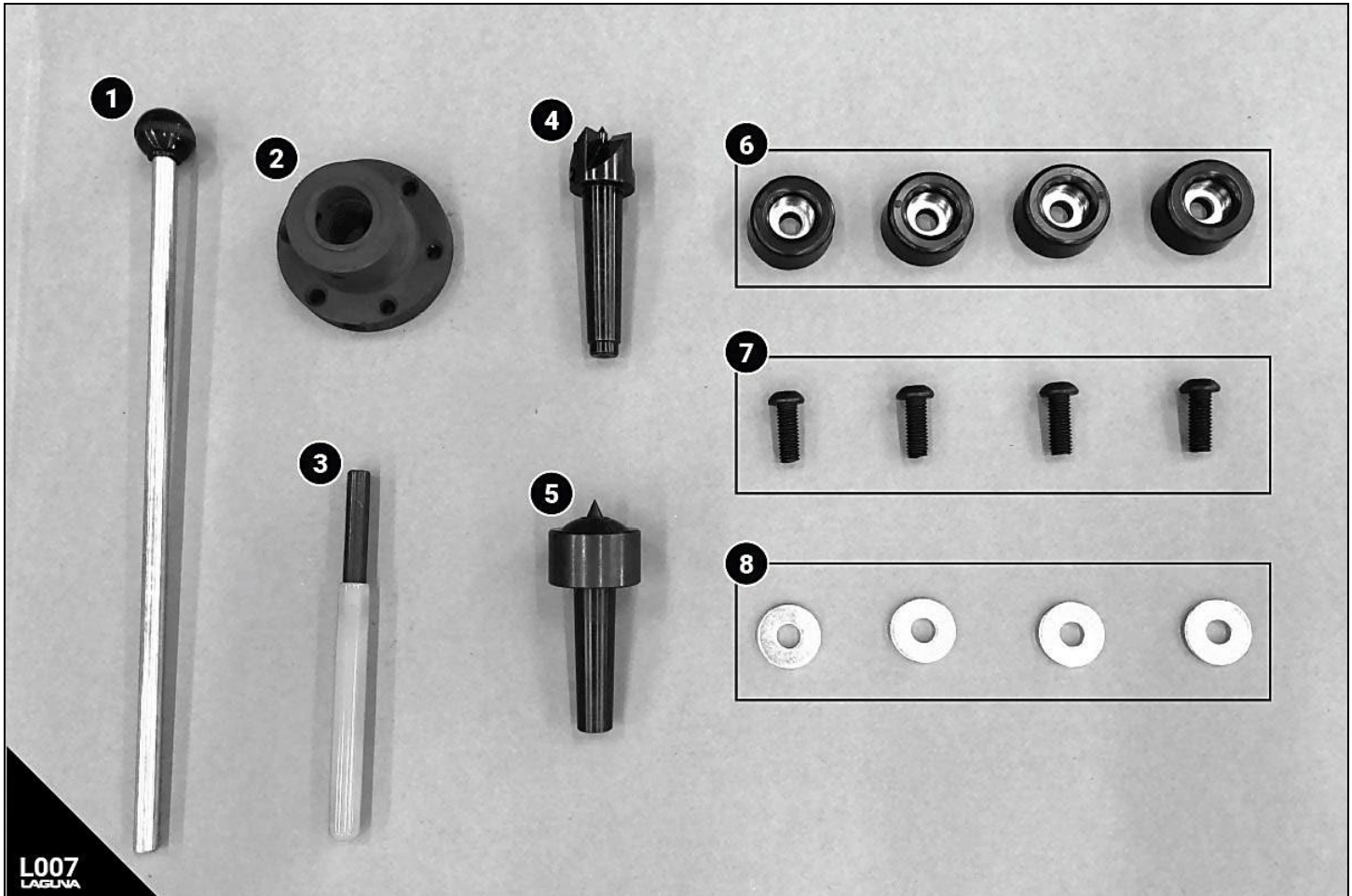
4. You should select a solid flat floor, preferably one made of concrete or something similar.
5. Locate it close to a power source and dust collection (If Applicable).

Unboxing

Once in place, carefully unbox and remove all components. Un-boxing guidelines:

1. Do not cut deep into a box with a blade as it could scratch the paint, only cut deep enough to cut the tape or use a dull edge.
2. Organize the hardware and setup tools needed (at beginning of each set-up section) prior to proceeding with setup.

Inventory



1. Center Knock-Out Rod PLAREVO1216-1103A..... Used to release the headstock centers.
2. Face Plate PLAREVO1216-104A 3" faceplate used to fasten workpiece.
3. Face Plate Wrench PLAREVO1836-1136 To release the Face Plate from spindle threading.
4. Drive Center PLAREVO1836-124A..... Used in the headstock to turn a work piece. Does not have a bearing.
5. Live Center PLAREVO1216-168 Used in the tailstock to keep workpiece rotating. Has a bearing.
6. 4 x Rubber Foot PLAREVO1216-199..... Rubber feet to limit vibrations - Remove if using stand.
7. 4 x Screw for Rubber Foot PLAREVO1216-1100.....
8. 4 x Flat Washer PLAREVO1216-198.....

Installing Rubber Leveling Pads

You may want to install the included rubber pads on the lathe to reduce vibrations and protect the base from the floor. You should not install the rubber pads if you are planning to use the 1216 Lathe Stand.

TECH TIP Tools Needed: 6mm Alan Wrench

1. Make sure Lathe is unplugged and cannot be powered on.
2. Remove the Tail Stock and Banjo (tool rest) from the lathe by releasing the cam lock and sliding off the end. NOTICE: You do not need to unbolt anything to remove banjo or tail stock.
3. CAREFULLY tilt the lathe on its side - use a moving blanket or other soft thing to cushion the side of the lathe in contact with floor.
4. Install a washer, rubber pad, and screw on each corner.

Installing/Removing Face Plate & Hand Wheel

WARNING! Unplug machine from power prior to proceeding!

TECH TIP Do not over torque the threading, firm pressure is all that is required.

TECH TIP Do not attempt to remove the faceplate without removing set screws. The set screws are set on a flat part of the spindle. Forcing the faceplate off while set screws are set or not completely removed away from threading can damage the lathe spindle.

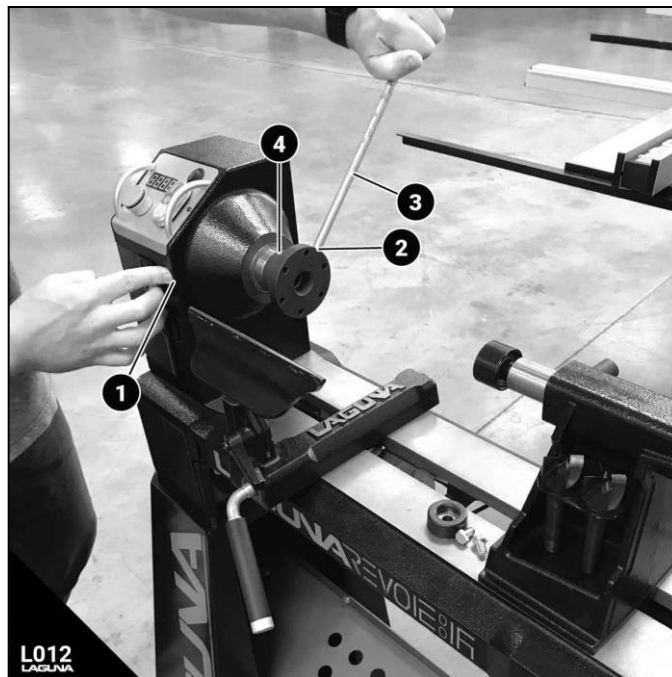


Fig L012 - Face plate installation. (1) Spindle Lock. (2) Faceplate wrenching hole. (3) Knockout Rod OR Faceplate Wrench. (4) Set Screws.

The Face Plate simply screws into the spindle threading on either end of the spindle. Both sides of the spindle are 1" x 8TPI right hand threads. Both 3" faceplate and the hand wheel have the same set screw in the exact same position. There is a cutting groove on each side of the spindle for the set screws.

TECH TIP Tools Needed: Face Plate Wrench (PLAREVO1836-1136) OR Center Knock-Out Rod (PLAREVO1216-1103A) AND 3mm Allen Wrench

1. Make sure Lathe is unplugged and cannot be powered on.
2. Position the Banjo out of the way to prevent damage.
3. CHECK that the (Key 4) set screws are not engaged, REMOVE all set screws that are tightened with an Allen wrench.
4. Press the (Key 1) spindle lock inward to lock the spindle. You may need to rotate the spindle a bit to line up the pin hole.
5. With (Key 1) spindle lock engaged (and set screws removed), fit the (Key 3) faceplate wrench into the (Key 2) faceplate wrenching hole.

- Turn counterclockwise (CCW) to remove, turn clock-wise (CW) to install both sides of the spindle.
- When installing, reverse steps 6-1. **TECH TIP** The face plate wrench is not needed to install, if you over-tighten, the set screw flats (on spindle) may not line up and you could damage the threading. Hand tightening is usually enough.

Installing/Removing Drive Center and Live Center

WARNING! Unplug machine from power prior to proceeding!

TECH TIP Do not attempt to remove the tail stock center with tools, simply reverse the quill until it pops out.

TECH TIP The centers come out quickly, prevent them from dropping.

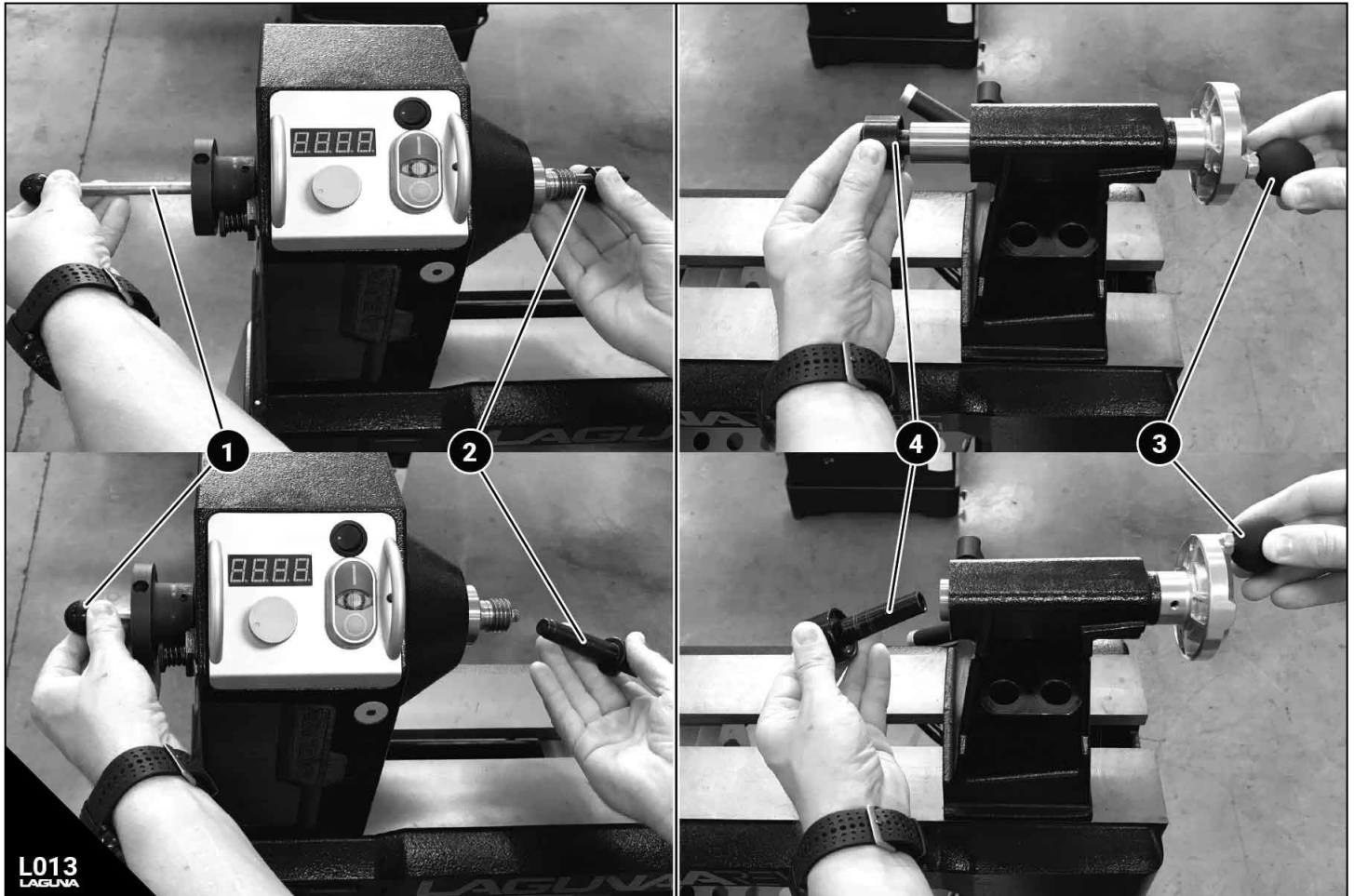


Fig L013 - Center Installation. (1) Knock-out Rod. (2) Drive Center. (3) Quill Hand Wheel. (4) Live Center.

To install the centers, simply press them into the boring. When the workpiece is loaded both centers will be pressed into a sturdy position. To remove the centers, the method depends on whether they are installed in headstock or tail stock spindle.

Removing (Drive Center) From Headstock

TECH TIP Tools Needed: Center Knock-Out Rod (PLAREVO1216-1103A)

- Make sure Lathe is unplugged and cannot be powered on.
- Lightly grasp the center tool with your free hand prior to step 3 - it will pop out unexpectedly.
- Use the Center (Key 1) Knock-out Rod and lightly tap the center loose.

Removing (Live Center) From Tailstock

TECH TIP Tools Needed: N/A

- Lightly grasp the center tool with your free hand prior to step 2 - it will pop out unexpectedly.
- Turning the (Key 3) quill hand wheel counterclockwise will retract quill and release the live center from quill.

Changing Between Speed Groups (Pulley Steps)

⚠ DANGER! Unplug machine from power prior to proceeding!

⚠ CAUTION! Pinching hazard. Do not rotate spindle with hands in the belt cabinet.

TECH TIP Do not attempt any other pulley configurations than those described below.

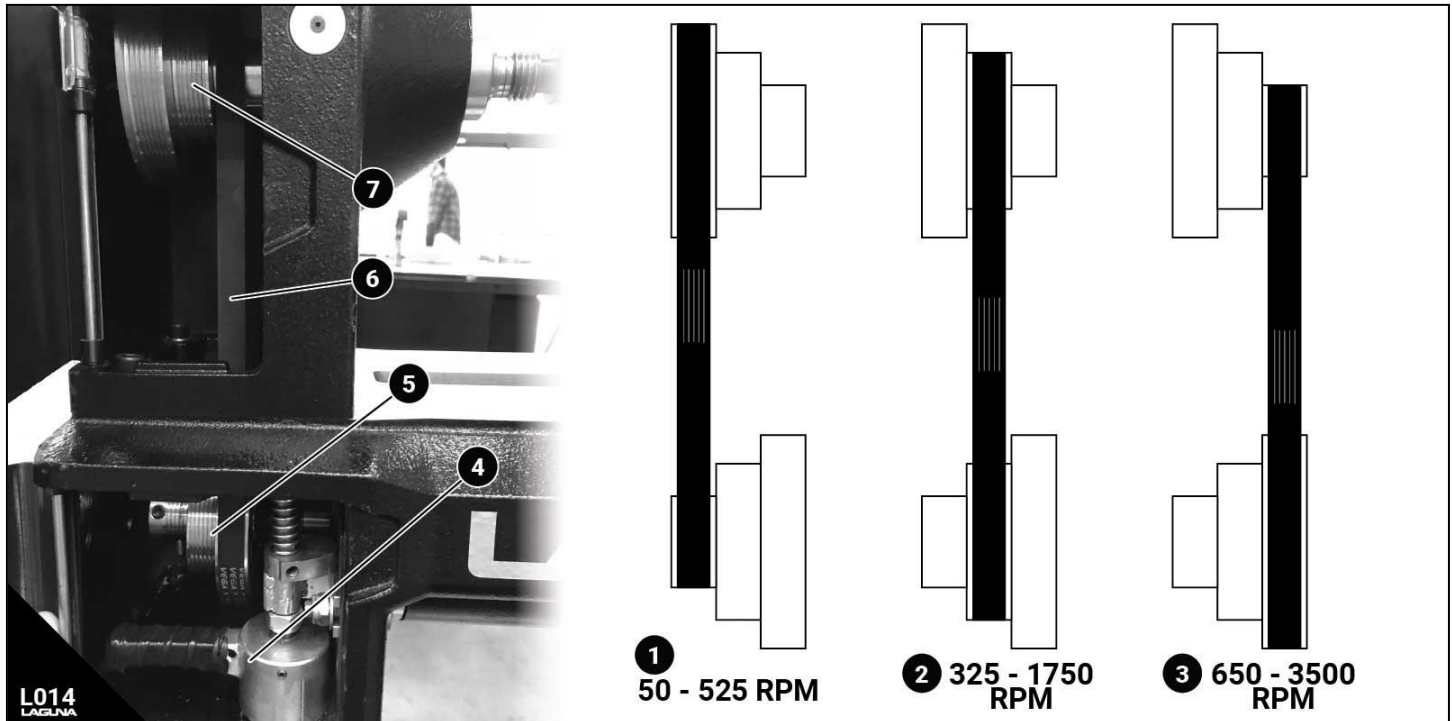


Fig L014 - Changing between speed groups. (1) Low Speed Configuration: 50-525 RPM. (2) Mid Speed Configuration: 325 - 1750 RPM. (3) High Speed Configuration: 650-3500 RPM. (4) Belt Tension Cam Handle. (5) Drive (Lower) Pulley. (6) 6 Groove Poly-V Belt. (7) Driven (Upper) Pulley.

The lathe has three sets of pulleys for high, medium, and low as described above. The belt should be tensioned so that there is approximately 1/8 to 1/4 " deflection when the belt is pressed with moderate thumb pressure. To adjust the amount of tension, see the Adjustments section. To adjust between the speed ranges, follow these steps:

TECH TIP Tools Needed: N/A

1. Disconnect the electric supply to the lathe.
2. Open both pulley covers to access (Key 7) upper and (Key 5) lower pulleys.
3. To loosen the belt tension, turn the (Key 4) belt tension cam handle towards you.
4. Move the (Key 6) drive belt to the required set of pulleys 1, 2, or 3.
5. Give Tension back to the Belt by returning the (Key 4) belt tension cam handle to the taught position.
6. Test that the belt is set correctly by inspection and manually turning the spindle prior to returning power to the lathe.

First Use

- ⚠ WARNING!** Read the entire owner's manual prior to using this machine.
- ⚠ WARNING!** Never load or adjust the loading of a workpiece with the machine powered on.
- ⚠ CAUTION!** The workpiece must be balanced to limit vibrations!

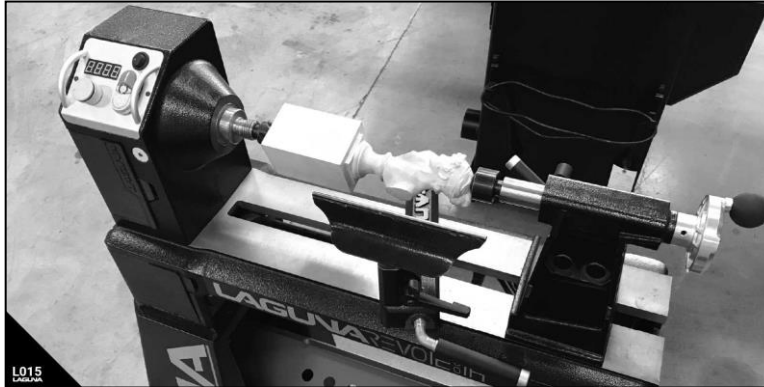


Fig L015 - 1216 lathe first use.

Loading a workpiece

1. With the Lathe still turned off, prepare to load a workpiece by installing the live center into the tail stock spindle.
2. Find the center of the workpiece to be mounted with either the faceplate or the drive center. NOTE: A wood lathe chuck can also be used to load a workpiece. The chuck must fit the 1"x 8 TPI spindle threading to be compatible.
3. Fasten the workpiece to the faceplate or drive the drive center into the center mark of workpiece with a rubber mallet (NOTICE: do not use a metal hammer) or clamp the workpiece in the jaws of the chuck (skip step 4).
4. Thread or insert the faceplate or drive center into the spindle. NOTE: You may need to remove the tail stock to fit.
5. Replace the tail stock if removed.
6. Fully release the quill (plunge) of the tailstock by reversing the hand-wheel counter-clockwise.
7. Move the tailstock to the workpiece such that the live center is 1/2" away from the workpiece.
8. Lock the tailstock in place with the large cam lever.
9. Turn the hand wheel clockwise to seat the live center into the center of the workpiece.
TECH TIP About 1/2 turn beyond contact is enough, but it depends on the hardness of the workpiece.
10. Tighten the quill locking handle.
11. Check that the workpiece rotates freely without any obstructions by using the handbrake (on head stock) prior to turning on the machine.

⚠ CAUTION! The workpiece must be balanced. If unbalanced, the lathe may vibrate too heavily and cause problems. Especially with "live edge" pieces, remove any large abnormalities prior to loading stock workpieces. A balanced workpiece will not assume any rotation orientation.

Personal Protection Equipment & Safety

Make sure to completely read and understand the Safety Sections of this manual prior to proceeding. It is vital to follow these instructions to limit danger when using this machine.

Turning on the machine

1. Confirm that the belt is in the correct speed range. See Changing between speed groups.
2. Confirm that the appropriate personal protective equipment is being used.
3. Confirm that all chisels and wok tools are within close range and DO NOT require any reaching over the workpiece.
4. Plug in the machine to the appropriate receptacle as denoted on the machine information plate.
5. Double check the workpiece balancing and rotation.
6. Turn on the machine.

⚠ CAUTION! Do not start the lathe at maximum speed with a workpiece mounted. Start at lowest speed within that range and gradually increase to a higher speed.

Accessories & Options

The following accessories are designed for the REVO 1216 Lathe. These instructions should be followed exactly to properly set up the equipment. Some of these accessories are designed to fit multiple machines offered by Laguna Tools, check the specification sheet for a fit guide of all REVO accessories.

Laguna REVO 1216 Expansion Set

SKU: ALAREVO12 EXTENSION

Fits: MLAREVO1216EVS

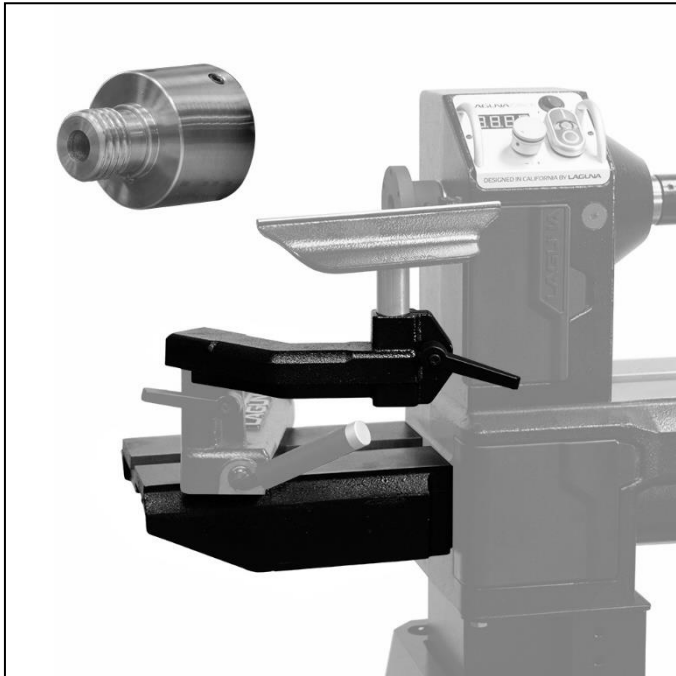


Fig L004: (1) As bed lengthening function - increased center to center from 15-1/2" to 25-1/2". (2) As outboard turning function - allows for 16" outboard turning capacity.

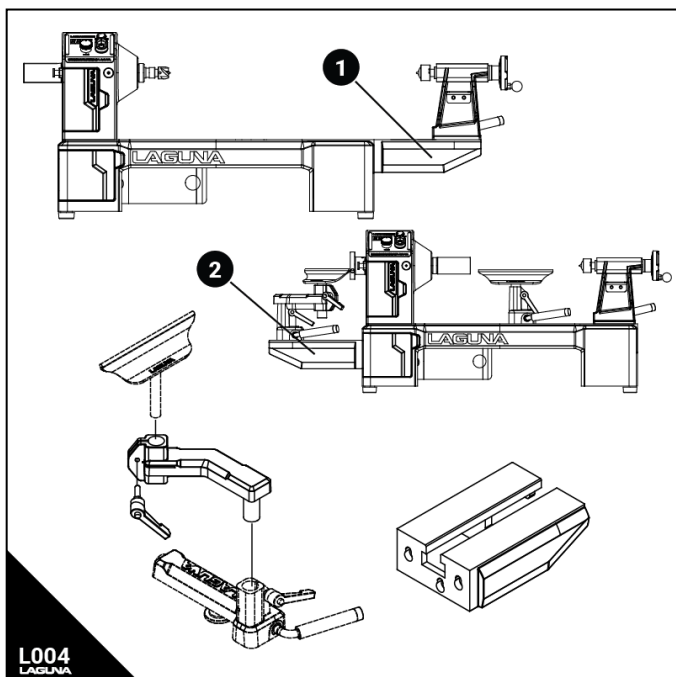
The lathe features forward and reverse spindle rotation as well as a double threaded 1"x8TPI spindle that allows the user to turn on both sides of the lathe. With the expansion set (ALAREVO1216 Extension) the turner can choose to extend the center-to-center capacity by 10 inches or outfit their lathe for outboard turning. The high-torque motor controller will allow wood-turners to freely turn up to a 16" workpiece without stalling or bogging down the spindle

Package:

The expansion set consists of 3 parts: the 10" cast iron extension that can mount Right or Left side.

Tool-Rest extender for outboard use & an adapter that allows chucks with 1" x 8TPI right-hand thread to be used outboard.

⚠ CAUTION! Have to use a reversible chuck with set screws attached for outboard turning! Always have to tighten the set screws on faceplate or chuck to the spindle adapter/ spindle for outboard turning!



Laguna REVO 1216 Expansion Set Up

⚠ WARNING! Unplug machine from power prior to proceeding!

TECH TIP Do not over torque the threading, firm pressure is all that is required.

TECH TIP The (2.2) Tool rest extension, and (2.4) Lock Handle, are only used when outboard turning.

TECH TIP Tools Needed: Allan Wrench.

Receiving

It is likely that your machine will be delivered by a third party. Before unboxing, be sure to inspect the packaging and shipping documents supplied by the driver. Ensure that there is no visible damage to the shipment. If any damage has occurred because of shipment, note the damage on the bill of lading or refuse the shipment. Immediately call the dealer store where the machine was purchased.

1. Never accept a shipment that is damaged or partial without notifying the shipping company and the purchasing store.

Unboxing



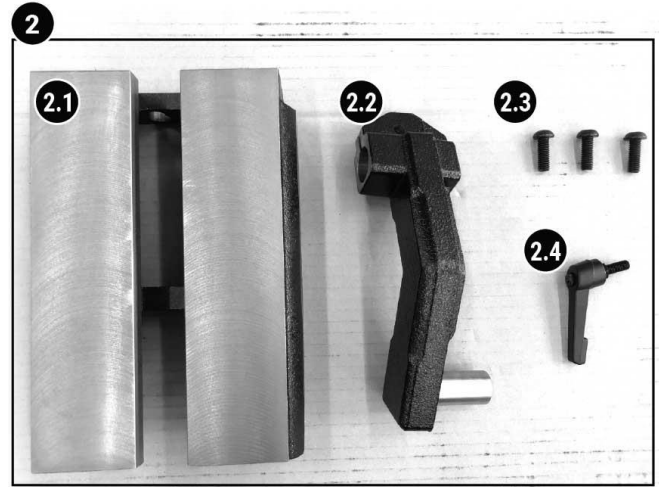
Fig L018: Receiving and unboxing the ALREVO12 Extension. (1) Un-boxing Contents. (2) Components unboxed. (2.1) 10" Extension Bed. (2.2) Tool Rest Extension. (2.3) Extension Bed Bolts. (2.4) Lock Handle. (2.5) Outboard Adapter.

Once in place, carefully unbox and remove all components. Un-boxing guidelines:

1. Do not cut deep into a box with a blade as it could scratch the paint, only cut deep enough to cut the tape or use a dull edge.

Organize the hardware and setup tools needed (at beginning of each set-up section) prior to proceeding with setup.

Inventory



2.5

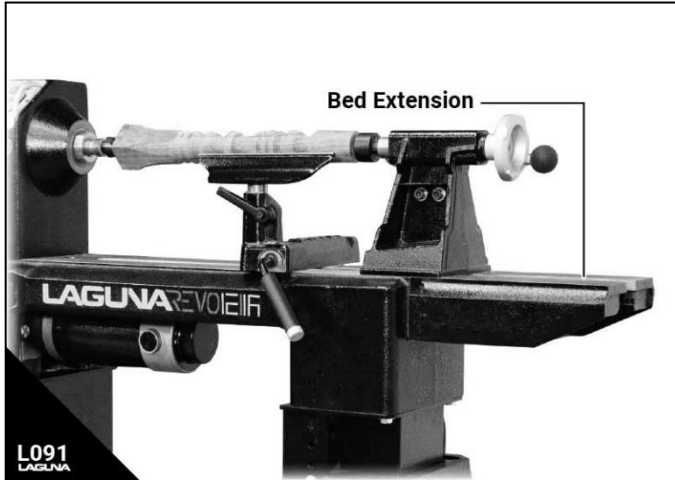
Fig L018: Receiving and unboxing the ALREVO12 Extension. (1) Unboxing Contents. (2) Components unboxed. (2.1) 10" Extension Bed. (2.2) Tool Rest Extension. (2.3) Extension Bed Bolts. (2.4) Lock Handle. (2.5) Outboard Adapter.

KEY	NAME	DESCRIPTION
2.1	Extension Bed (PLAREVO1216-301)	Extends the bed length of the lathe or can be installed to the left side of spindle for outboard turning ability.
2.2	Tool rest Extension (PLAREVO1216-302)	Only to be used when outboard turning (left side spindle) to raise the tool rest to the appropriate position.
2.3	Allen Head Screw	Attaches extension to end of the bed (right side extension) or the lower outboard turning position (left side extension).
2.4	Lock Handle	Locks the Tool Rest extension (2.2) in place.
2.5	Outboard Adapter	The adapter comes with 1" x 8 TPI RH threaded.
Key	Name	Description

Set Up Procedure

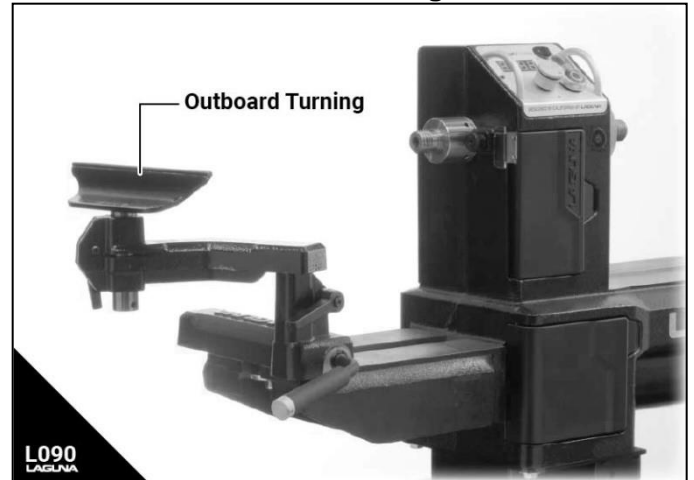
1. Make sure Lathe is unplugged and cannot be powered on.
2. Remove the tail stock, banjo (tool rest) from the lathe bed by releasing the cam locks and carefully sliding out the right side of the lathe bed.

As Bed Extension:



3. The bolt holes on the REVO 1216 bed are pre-tapped to accept the extension. Using the three (Key 2.3) Allen screws, fasten the extension to the right side (of the bed) extension mounts.
4. Reverse step 2.

As Outboard Turning Bed:



5. Replace the tailstock on the main bed for safe keeping, it will not be used for outboard turning.
6. The bolt holes on the REVO 1216 bed are pre-tapped to accept the extension. Using the three (Key 2.3) Allen screws, fasten the extension to the left of the lathe.
7. Remove handwheel or faceplate from left spindle threading.
8. Loosen outboard adapter set screws, lock spindle, and screw on the (Key 2.5) Outboard Adapter.
9. Install the banjo on the extension by carefully sliding it into the left side of the (just mounted) extension.
10. Install the (Key 2.2) tool-rest extension into the neck of the banjo.
11. Install the (Key 2.4) lock handle into the (Key 2.2) tool-rest extension.
12. Install the tool-rest into the (Key 2.2) tool-rest extension.

Laguna REVO 1216 Lathe Stand

SKU: ALAREVO1216-STAND

Fits: MLAREVO1216EVS

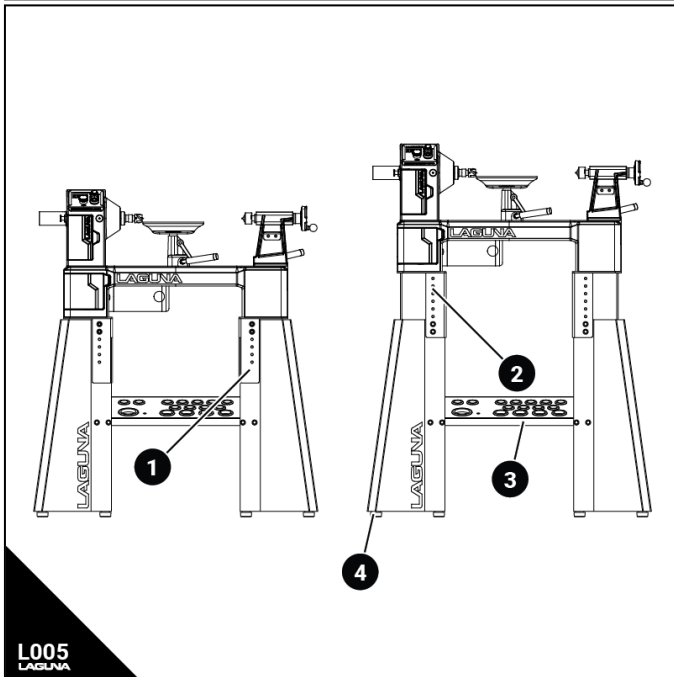


Fig L005: ALAREVO1216-STAND. Includes adjustable lathe stand and organization shelf. (1) In lowest 39" (floor to spindle centerline) position. (2) In Highest 45" position. (3) Tool Rack - holds faceplate, both centers, knock out rod, 9 chisel tools with 1" holes, and 4 large tools with 1-3/8" holes. (4) Rubber Pads.

Laguna REVO 1216 Lathe Stand Set-Up

▲WARNING! Unplug machine from power prior to proceeding!

▲CAUTION! Two people are required in this set-up.

TECH TIP Do not over torque the threading, firm pressure is all that is required.

TECH TIP Tools Needed: Additional person, 6mm Allen wrench, Phillips head screwdriver, and 12/14mm open-ended wrench.

Receiving

It is likely that your machine will be delivered by a third party. Before unboxing, be sure to inspect the packaging and shipping documents supplied by the driver. Ensure that there is no visible damage to the shipment. If any damage has occurred because of shipment, note the damage on the bill of lading or refuse the shipment. Immediately call the dealer store where the machine was purchased.

1. Never accept a shipment that is damaged or partial without notifying the shipping company and the purchasing store.

Unboxing

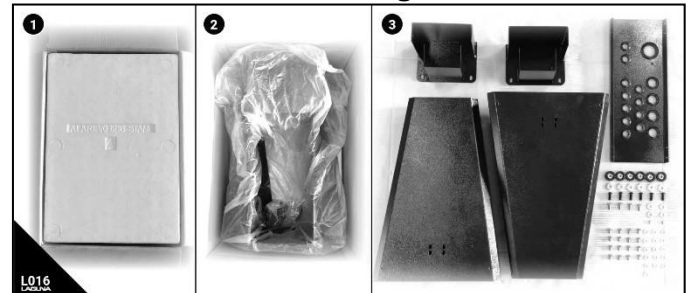


Fig L016: Receiving and unboxing the ALREVO12 Stand. (1) Un-boxing Contents. (2) Stand in box. (3) Components un-boxed.

Once in place, carefully unbox and remove all components. Un-boxing guidelines:

1. Do not cut deep into a box with a blade as it could scratch the paint, only cut deep enough to cut the tape or use a dull edge.
2. Organize the hardware and setup tools needed (at beginning of each set-up section) prior to proceeding with setup.

Inventory

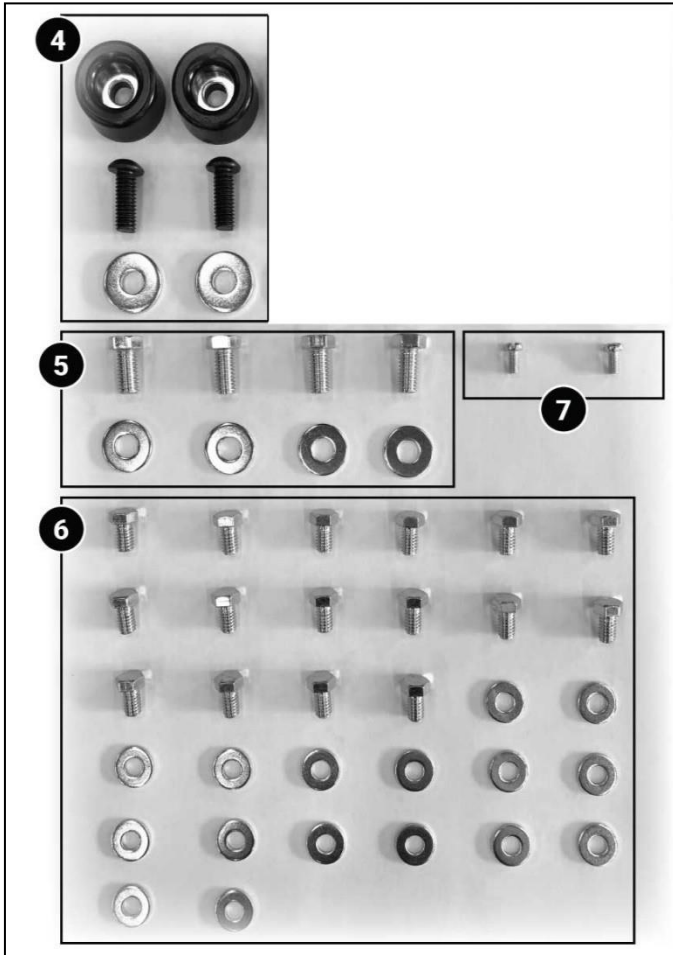
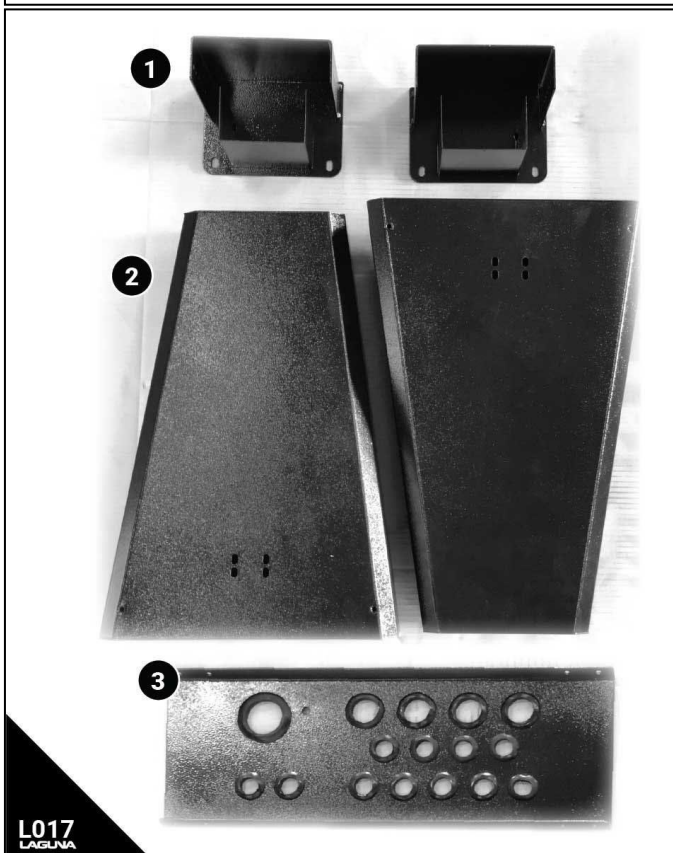


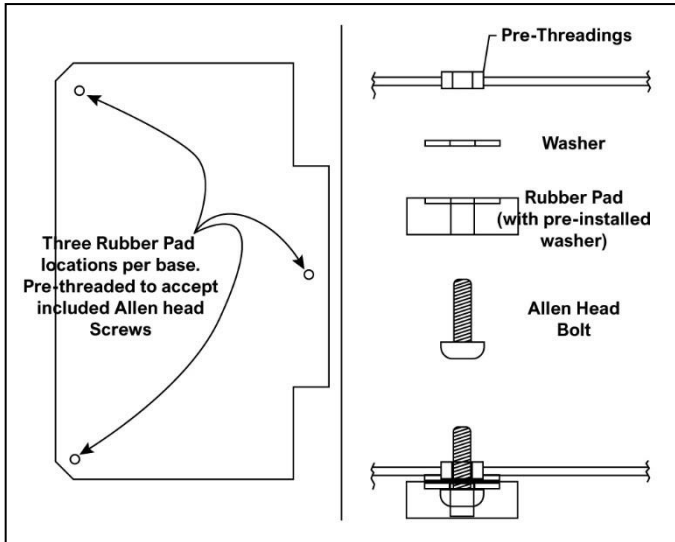
Fig L017: ALREVO12 Stand inventory check. (1) Adjustable height pillars. (2) Stand Leg. (3) Tool Organization shelf. (4) Rubber pads, screws, and washers. (5) Lathe attachment bolts and washers. (6) Bolt/Washers for assembly. (7) Height constraint screws.

Key	Name	Description
1	Height Pillar PLAREVO1216-204	Main contact point from lathe to stand. Allows for adjustable height.
2	Stand Leg PLAREVO1216-201 PLAREVO1216-202	Sheet Steel constructed stand leg. Has pre-tapped holes to mount. TECH TIP These legs are not the same. You will notice that the bolt holes that connect the organization shelf are not at the same height. The lower positioned bolts holes must be front.
3	Organization Shelf PLAREVO1216-203	Adds structural stability to stand. Also holds 13 turning chisels/tools and all functional set-up tools.
4	Rubber Pads /Bolts/Washer	Used on the bottom of the stand legs to minimize vibration.
5	Lathe Bolts/Washer	Lathe to stand Fasteners.
6	Assembly Hardware	Height adjustment fasteners, shelf to leg fasteners,
7	Height Constraint Screw	Positions maximum height of lathe stand.
Key	Name	Description



Laguna REVO 1216 Lathe Stand Set-Up Procedure

1. Make sure Lathe is unplugged and cannot be powered on.
2. Remove the Rubber pads pre-installed on the REVO 1216 lathe. This will give (Key 4) six rubber pads, six Allen bolts, and six washers in total.
3. Install the (Key 4) rubber pads to the (Key 2) stand legs with the (Key 4) Allen head screws and washers.



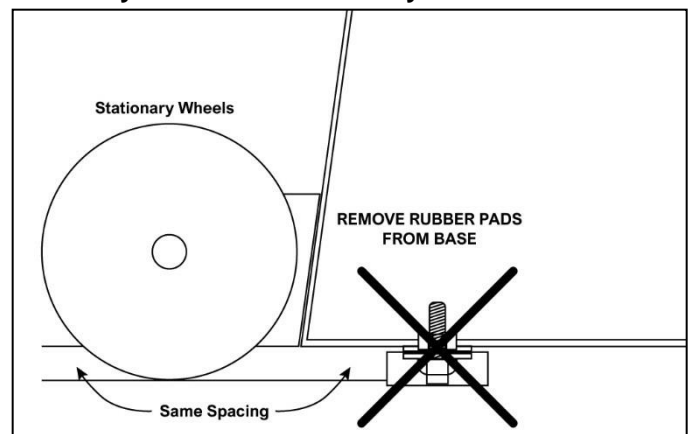
4. Identify the left and right legs. On each leg there are four bolt holes for the (Key 3) shelf to attach. The upper two bolt holes must face the rear of the machine, the lower two bolt holes must face the front of the workspace. The shelf is then installed so that it is angled towards the operator.
5. Identify the correct orientation of the (Key 3) organization shelf. The shelf should be positioned such that the lip is not visible - in Fig L017 the shelf is upside down. The intended orientation is such that the largest hole (faceplate storage) is furthest left and towards the operator. Please see the exploded parts view for the correct orientation.
6. Fasten the (Key 2) stand legs to the (Key 3) organization shelf. Eight bolts/washers from the (Key 6) assembly hardware are used. It is always best practice to wait until the end of the set-up to tighten all screws. **TECH TIP** The stand will not be rigid until it is fastened to the Lathe - this is NORMAL. Once the Lathe is attached and the height is adjusted properly, the lathe will be very rigid.
7. Install the (Key 1) height pillars to the stand legs with the remaining eight bolts/washers from the (Key 6) assembly hardware. It is always best practice to wait until the end of the set-up to tighten all screws. **TECH TIP** Although it can be positioned later, this is when the operator should assume the final height of the lathe. It is much easier to set the height now.

8. Check the dimensions section to see the spindle height and height range of the stand.
9. Carefully reach into the stand leg and install the (No. 7) height constraint screw on each height pillar. These screws will prevent the operator from pulling the lathe out of the stand when adjusting height later.
10. Using an additional person, place the REVO 1216 Lathe onto the assemble stand. **CAUTION!** Do not leave the lathe unattended without the bolts in place. One person must focus on holding the position of the lathe while the other positions the four (No. 5) lathe attachment bolts and washers.
11. Fasten the four (Key 5) lathe attachment bolts and washers.
12. For safety, you will have to remove the lathe away from the stand if you would like to relocate the lathe to a different height.
13. Tighten down all bolts to firm pressure, about a half turn passed finger tight. **TECH TIP** Avoid over tightening.

IMPORTANT: If the lathe is not level

1. Make sure the lathe is mounted to stand.
2. Make sure the floor is flat.
3. Loosen the 8 bolts holding the height positioning pillars AND the 8 bolts holding the organization shelf to relieve all gaps.
4. Retighten Height Positioning Bolts
5. Retighten Organization Shelf Bolts

IMPORTANT: If using the wheel kit (mobility kit), please remove the two rubber feet closest to the two stationary wheels of the mobility kit.



FAQ

- Q: What is the height range with this stand?
 A: The REVO 1216 Stand allows the spindle center line to be positioned at 7 different heights from 39" to 45".
- Q: Does this come with the mobility kit?
 A: No, it comes standard with rubber pads.

Laguna REVO 1216 Mobility Kit

SKU: MBA14/12 WHEEL SYSTEM

Fits: ALAREVO1216-STAND (1216 Stand),
MBAND14BX110-175,
MBAND14BX220-250

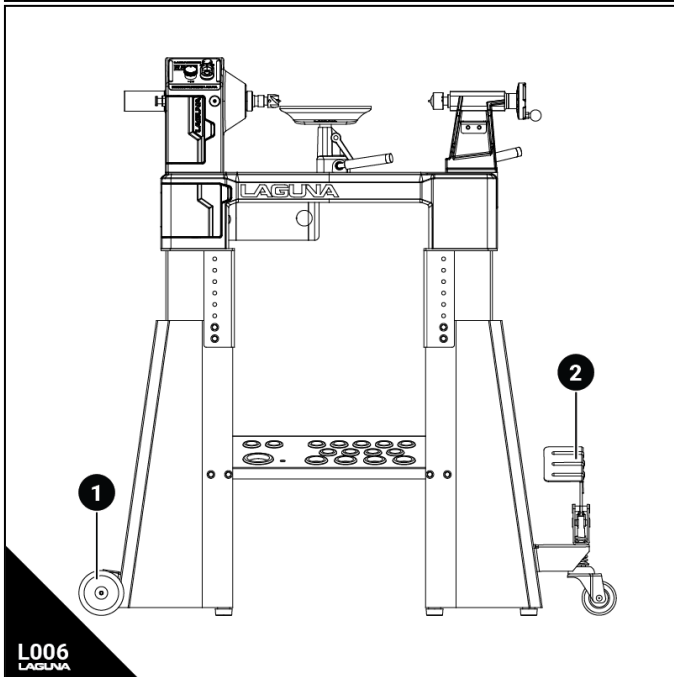
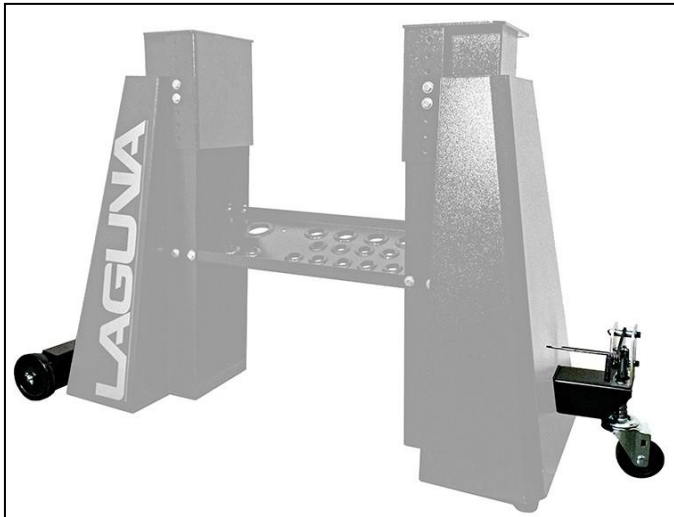


Fig L006: Premium Mobility kit for REVO 1216 10". (1) Base Wheels & mounting (2) Foot Lever and wheel mount assembly.

Laguna REVO 1216 Mobility Kit Set-Up

⚠ WARNING! Unplug machine from power prior to proceeding!

TECH TIP ⚙ Do not over torque the threading, firm pressure is all that is required.

TECH TIP ⚙ The Stand Accessory must be purchased to use the wheel system.

Receiving

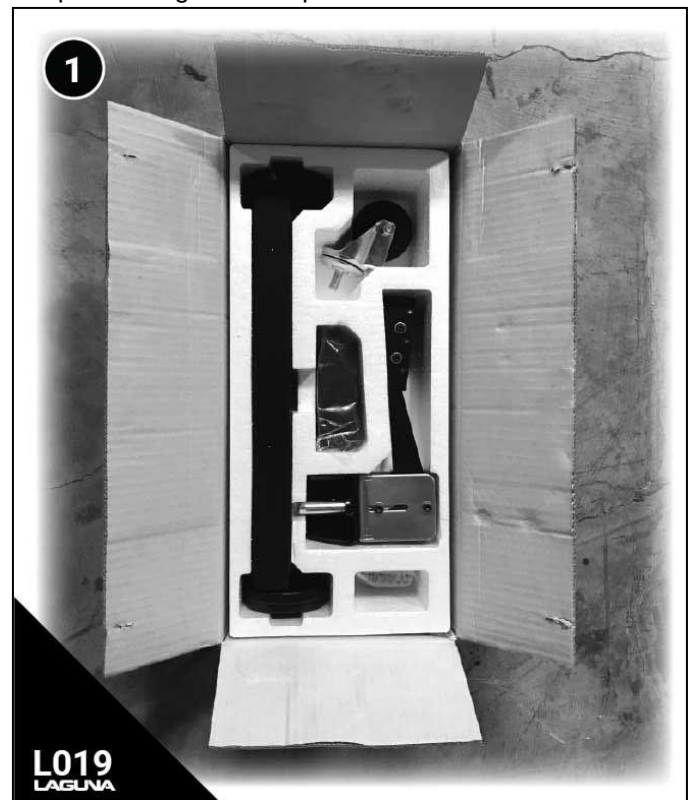
It is likely that your machine will be delivered by a third party. Before unboxing, be sure to inspect the packaging and shipping documents supplied by the driver. Ensure that there is no visible damage to the shipment. If any damage has occurred because of shipment, note the damage on the bill of lading or refuse the shipment. Immediately call the dealer store where the machine was purchased.

1. Never accept a shipment that is damaged or partial without notifying the shipping company and the purchasing store.

Unboxing

Once in place, carefully unbox and remove all components. Un-boxing guidelines:

1. Do not cut deep into a box with a blade as it could scratch the paint, only cut deep enough to cut the tape or use a dull edge.
2. Organize the hardware and setup tools needed (at beginning of each set-up section) prior to proceeding with setup.



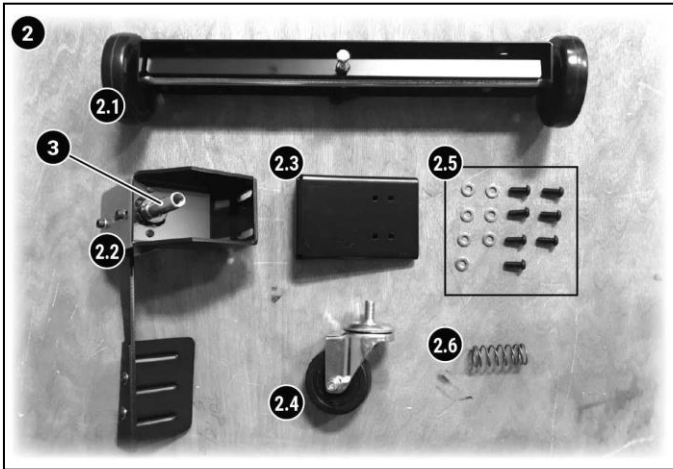


Fig L019: Receiving and un-boxing the Wheel System. (1) Un-boxing Contents. (2) Components un-boxed. (2.1) Stationary Wheels. (2.2) Foot Pedal Assembly. (2.3) Support Plate. (2.4) Foot Pedal Caster. (2.5) Hardware. (2.6) Foot Pedal Spring. (3) Swivel Axle (see step 3).

Inventory

Key	Name	Description
2.1	Stationary Wheels	Can be mounted on left or right stand leg. Must be positioned after installation such that machine is off floor when foot pedal engaged.
2.2	Foot Pedal Assembly	Can be mounted on left or right stand leg. Must be positioned after installation such that machine is off floor when foot pedal engaged.
2.3	Support Plate	Mounts to the (inside) stand leg with (2.2) foot pedal assembly.
2.4	Foot Pedal Caster	Mounts to (2.2) foot pedal assembly.
2.5	Hardware	Used to fasten the wheels to the machine base.
2.6	Foot Pedal Spring	Installs in between (2.4) foot pedal caster, and (2.2) floor pedal assembly, to apply force when deactivating.
3	Swivel Axle	Axle that (2.6) spring and (2.4) caster are installed to.

Set Up Procedure

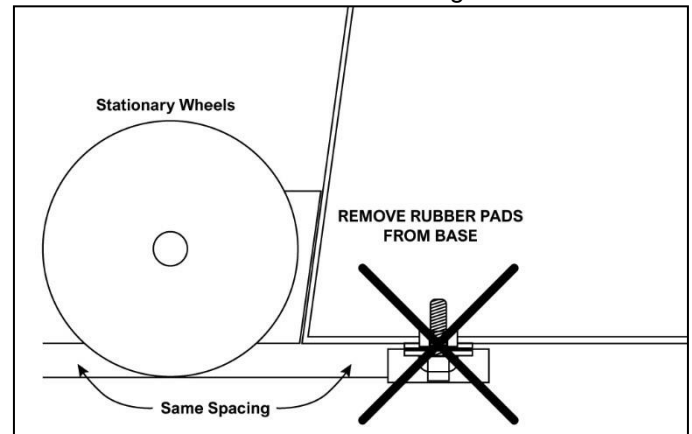
TECH TIP Tools Needed: Allan Wrench, open ended wrench.

Installing the stationary wheels.

1. Make sure Lathe is unplugged and cannot be powered on.
2. Install the (Key 2.1) stationary wheels to either the left or right stand leg with two of the seven (Key 2.5) bolts and washers from hardware. **TECH TIP**

Decide whether the foot pedal assembly will be best fit on the left or right side of the lathe. If on the left side, the operator must be behind the lathe to engage, because of this - it is often best to have the foot pedal caster on the right side, and the stationary wheels on the left side.

3. Remove the two rubber pads closest to the stationary wheels.
4. Make sure the wheels are in contact with the floor and each base is at the same height.



Installing the foot pedal assembly and wheel.

- The order (from inside) is support plate, stand leg, foot pedal assembly, washer, bolt. The bolts thread into the (Key 2.3) support plate. The (Key 2.3) support plate installs to the inside of the opposite stand leg that the stationary wheels were installed to in step 1-3.
5. Place the (Key 2.6) foot pedal spring on the (Key 3) swivel axle of the (Key 2.2) foot pedal assembly and screw the (Key 2.4) foot pedal caster onto the swivel axle.
 6. Tighten down the (Key 2.4) foot pedal caster with open ended wrench.
 7. Release (non-engaged) the foot pedal to its free position.
 8. Place one bolt and washer in one of the (Key 2.2) foot pedal assembly bolt slots and hold in place.
 9. Sandwich the (metal from the) stand leg between the (Key 2.3) support plate, and (Key 2.2) foot pedal caster assembly. Finger tighten the bolt.
 10. Finger tighten the remaining three bolts and washers from (Key 2.5) hardware. **TECH TIP** We supply an extra bolt, discard if not needed.
 11. When the foot pedal is in its free position (non-engaged), the (Key 2.4) foot pedal caster wheel should be approximately kept at the same level as the rubber pads on the bottom of the stand leg. With this criterion met, fasten down all four bolts.

FAQ

Q: Does the wheel system affect the height of the lathe?
 A: No. The two left wheels will always be in contact with the floor but only at the same level as the caster. When

the lever (2) is engaged the lathe will prop up on the 3 wheels and is mobile. Releasing the lever (2) and the machine is back on the floor as if there was not a mobility kit installed.

Machine Lights

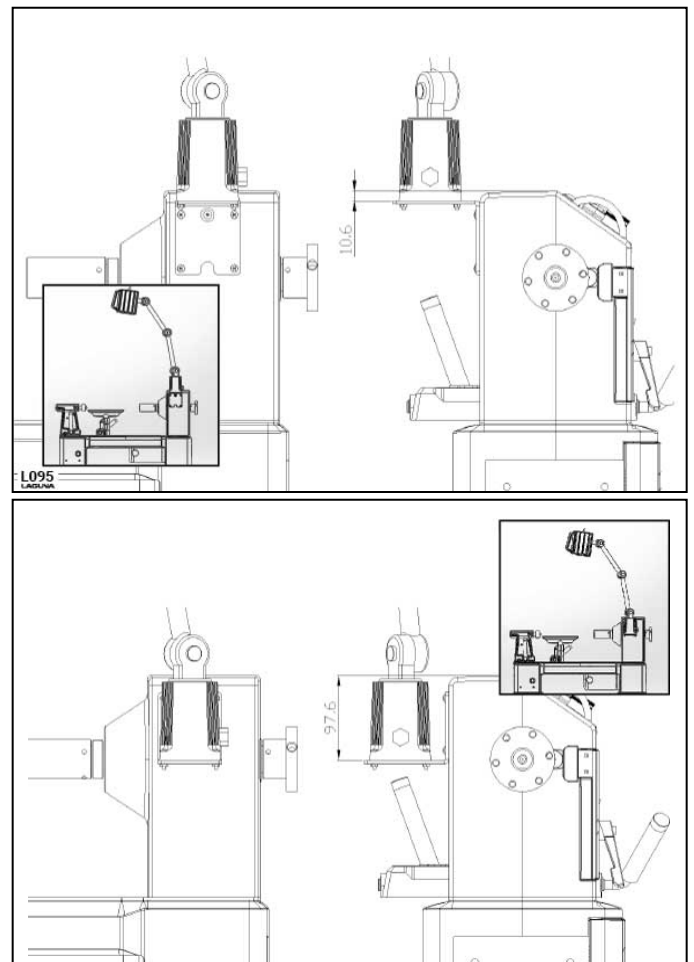
You will have to order both the L-bracket and the light from Laguna for attaching the light to rear of the headstock as shown:

PRO Light System (Double Arm, 110V)

SKU: ALAREVO18 LIGHT

L-Bracket for Optional Light

SKU: ALAREVO1216-LB



Maintenance

⚠ WARNING! Never perform and setup, maintenance or adjustments with the machine connected to the power source!

⚠ WARNING! If you have any doubt about the described procedure, seek professional assistance. Do not attempt any procedure that you feel is unsafe, or that you do not have the physical capability of achieving.

⚠ WARNING! When removing banding, extreme caution must be used as the banding will spring when cut.

⚠ CAUTION! The machine is heavy. Ensure that you have enough people to do the job safely.

TECH TIP ⚙ There may be sawdust in or around your new machine as a result of thorough testing.

General

Keep your machine clean. At the end of each day, clean the machine. Wood contains moisture, and if sawdust or wood chips are not removed, they will cause rust. In general, we recommend that you only use a Teflon-based lubricant on the lathe. Regular oil attracts dust and dirt. Teflon lubricant tends to dry and has less of a tendency to accumulate dirt and saw dust. Periodically check that all nuts and bolts are tight.

Drive belt

The drive belt should last for many years (depending on the usage) but needs to be inspected regularly for cracks, cuts and general wear. If damage is found, replace the belt.

Bearings

All bearings are sealed for life and do not require any maintenance. If a bearing becomes faulty, replace it.

Rust

The lathe is made from steel and cast iron. All non-painted surfaces will rust if not protected. It is recommended that they be protected by applying wax or a Teflon- based lubricant to them.

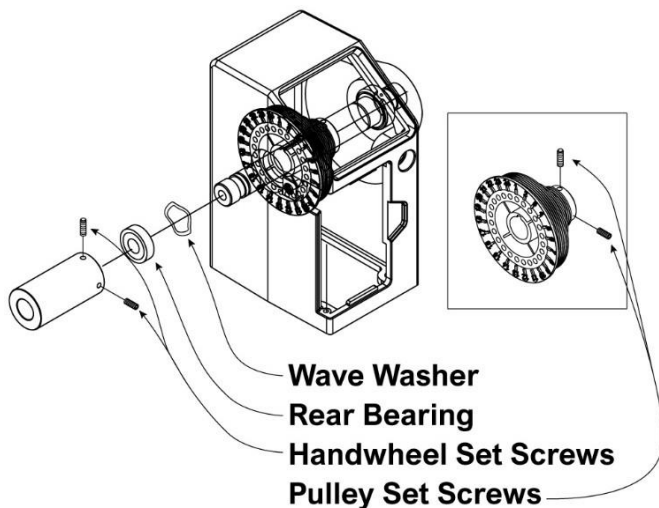
Changing the Belt and Bearings

⚠ WARNING! Unplug machine from power prior to proceeding!

TECH TIP Do not over torque the threading, firm pressure is all that is required.

TECH TIP Do not attempt to remove pulleys without removing set screws.

1. Disconnect the machine from the power source!
2. Open lower door and loosen the tension handle to remove tension from the poly v-belt.
3. Remove the belt from the lower pulley.



4. Remove two set screws in the hand-wheel.
5. Un-thread the hand-wheel off the spindle by pushing in the spindle lock and turning the hand-wheel counter-clockwise.
6. Loosen two set screws in the upper (spindle) pulley.
7. Use a wood dowel, or aluminum stock to knock spindle towards the tailstock. Use a material that is softer than the spindle, so you do not mushroom the end of spindle. Go only far enough to remove the belt from spindle.
8. Now you can replace the belt or bearings.
9. To reassemble reverse the procedure.

TECH TIP There is a wave washer in between the right side of the upper pulley and the black magnetic ring on the spindle. The black magnetic ring is seated on the shoulder of the spindle and is for the spindle speed sensing. Make sure the upper pulley is pushing against the wave washer to avoid the black magnetic ring to be slipping on the spindle while you are tightening the set screws in the upper pulley. It will cause the spindle speed readout (DRO on the control panel) to be inaccurate if the black magnetic ring is slipping on the spindle.

TECH TIP Do not over-tighten the (Key 3) hand-wheel against to the rear ball bearing when you are threading the hand-wheel back to the spindle. Hand-tight is enough. There is a wave washer in between the headstock and the rear ball bearing as a floating design.

Belt Tension

IMPORTANT: CHECK THE SERIAL NUMBER OF YOUR MACHINE.

THOSE SERIAL NUMBERS PRIOR TO:

19061565

MAY NEED TO FOLLOW THIS PROCEDURE IF THE DRIVE BELT IS CONTINUOUSLY LOOSENING.

1. Turn the quick belt tension handle counterclockwise to loosen the belt, then remove the belt away from the motor pulley.
2. Loosen the two hex nuts (A & B, Fig.1) to remove the whole motor assembly (with motor plate, motor and pulley) away from the casting bed.

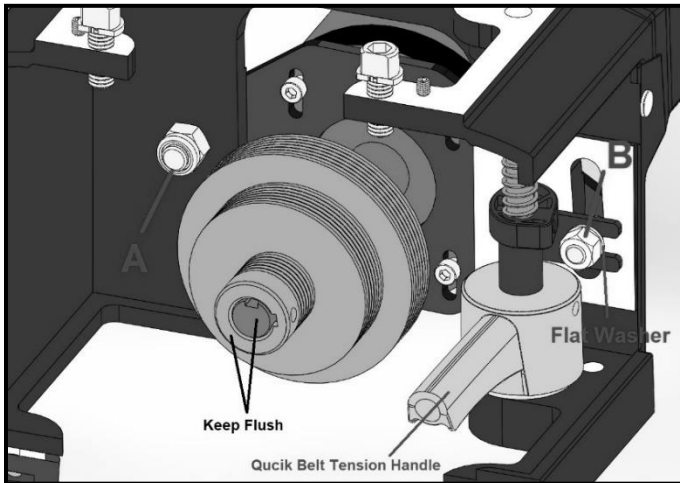


Fig. 1

3. Removing the motor pulley away from the motor shaft by loosening the two set screws that hold the motor pulley to the motor shaft.
4. Loosen the four hex socket cap screws that hold the motor to the motor plate as shown in Fig. 2.

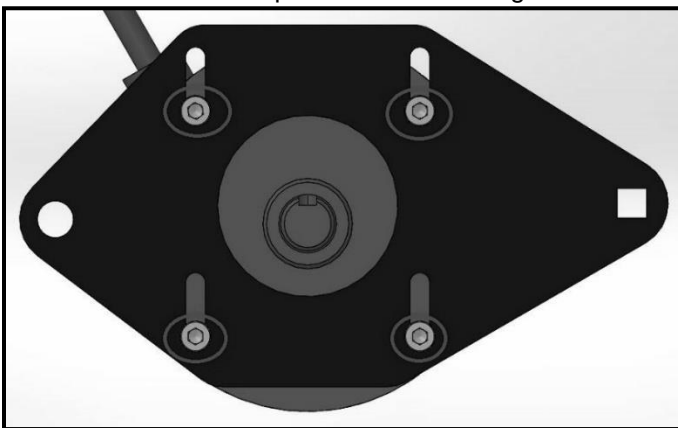


Fig. 2

5. Turn the motor plate upside down as shown in Fig. 3 from "OLD" to "NEW".

6. Attach the motor with the motor plate together to the middle of the four slots on the motor plate by tightening the four hex socket cap screws as shown with "NEW" in Fig. 3.

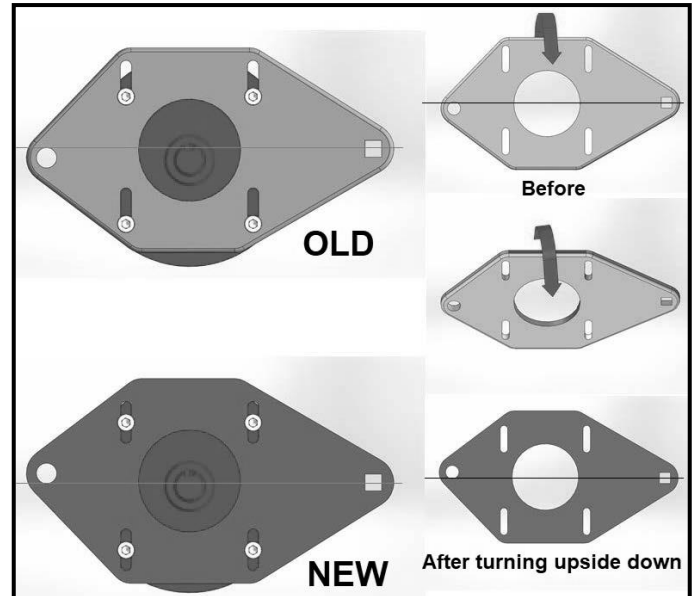


Fig. 3

7. Attach the motor pulley back to the motor shaft by tightening the two set screws. Please make sure the edge of the pulley to be flush with the edge of the motor shaft while tightening, as shown in Fig. 1.
8. Attach the whole motor assembly back to the casting bed by using the two screws, two nuts and one flat washer as shown in Fig. 1 and Fig. 4. Do not fully tighten up the two nuts! You have to keep a little space for sliding the motor plate on the casting bed.
9. Attach the belt back to the motor pulley, then turn the quick belt tension handle clockwise to tension the belt.

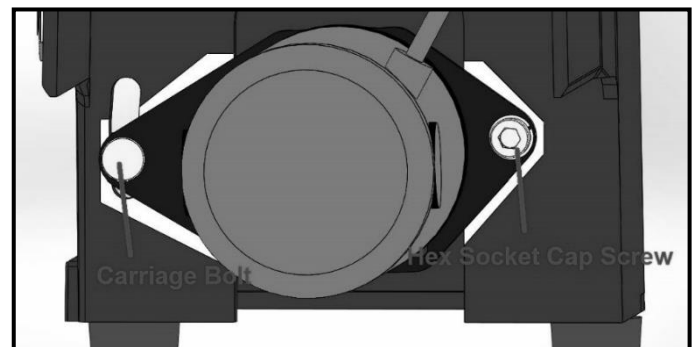


Fig. 4

The slots on the motor plate are for adjusting the belt tension if necessary.

Lathe will not start.

1. Check that the start switch is in the correct position.
2. Check that the electrical power cord is plugged into the power outlet.
3. Check that the electrical supply is on (reset the breaker).
4. With the power disconnected from the machine, check that the wiring to the plug is correct.
5. Check that the rubber insulation is stripped enough and does not cause a bad connection. Check that all the screws are tight.

The machine will not stop.

This is a very rare occurrence as the machine is designed to be fail-safe. If it should occur and you cannot fix the fault, seek professional assistance. The machine must be disconnected from the power and never run until the fault has been rectified.

1. The stop switch is faulty. Replace the stop switch.

Motor tries to start but will not turn.

1. With the power disconnected from the machine, try to turn the spindle by hand. If the spindle will not turn, check the reason for jamming.
2. Capacitor faulty. Replace the capacitor. (N/A for MLAREVO1216EVS)
3. Motor faulty. Replace the motor.
4. Power line overloaded. Correct overloaded condition.
5. Low voltage. Correct low voltage condition.

Squeaking noise.

1. Check the bearings.
2. Check the drive belt is tensioned correctly.

Spindle slows down during a cut.

1. Dull cutting tools. Replace the tool or have it re-sharpened.
2. Feeding the wood too fast. Slow down the feed rate.
3. Oil or dirt on the drive belt. Clean or replace the drive belt.
4. Drive belt loose. Re-tension drive belt.

Machine vibrates.

1. Machine not level on the floor. Re-level the machine ensuring that it has no movement.
2. Damaged drive belt. Replace the belt.
3. Stock is not balanced. Change to slower speed and/or balance the job.
4. Damaged pulley. Replace the pulley.
5. Worn spindle bearing. Replace the bearing.

Digital Read Out (DRO) is displaying an error.

Err1: Over-current mode

If the operating current of the motor exceeds 18 Amps for 30 seconds, the control board goes into Over-current protection mode.

Over-current mode is to stop the motor immediately and the display shows Err1.

Release the Over-current mode steps:

- Press the stop button to release the Over-current mode.
- Press the Start button again and the control board restarts the motor.

Err2: Motor work fail mode

After pressing the start button, if the motor is not running after 25seconds, the control board enters the Motor work fail mode.

In the motor work fail mode, the control board immediately stops the motor operation and the display shows Err2.

Release the Motor work fail mode steps:

- Press the stop button to release the Motor work fail mode.
- Press the Start button again and the control board restarts the motor.

Err3: Spindle work fail mode

After pressing the start button, if the control board detects that the spindle is not running for 30 seconds after the motor runs normally, it will enter the Spindle work fail mode.

In the Spindle work fail mode, the control board immediately stops the motor operation and the display shows Err3.

Release the Spindle work fail mode steps:

- Press the stop button to release the Spindle work fail mode.
- Press the Start button again and the control board restarts the motor.

Wiring

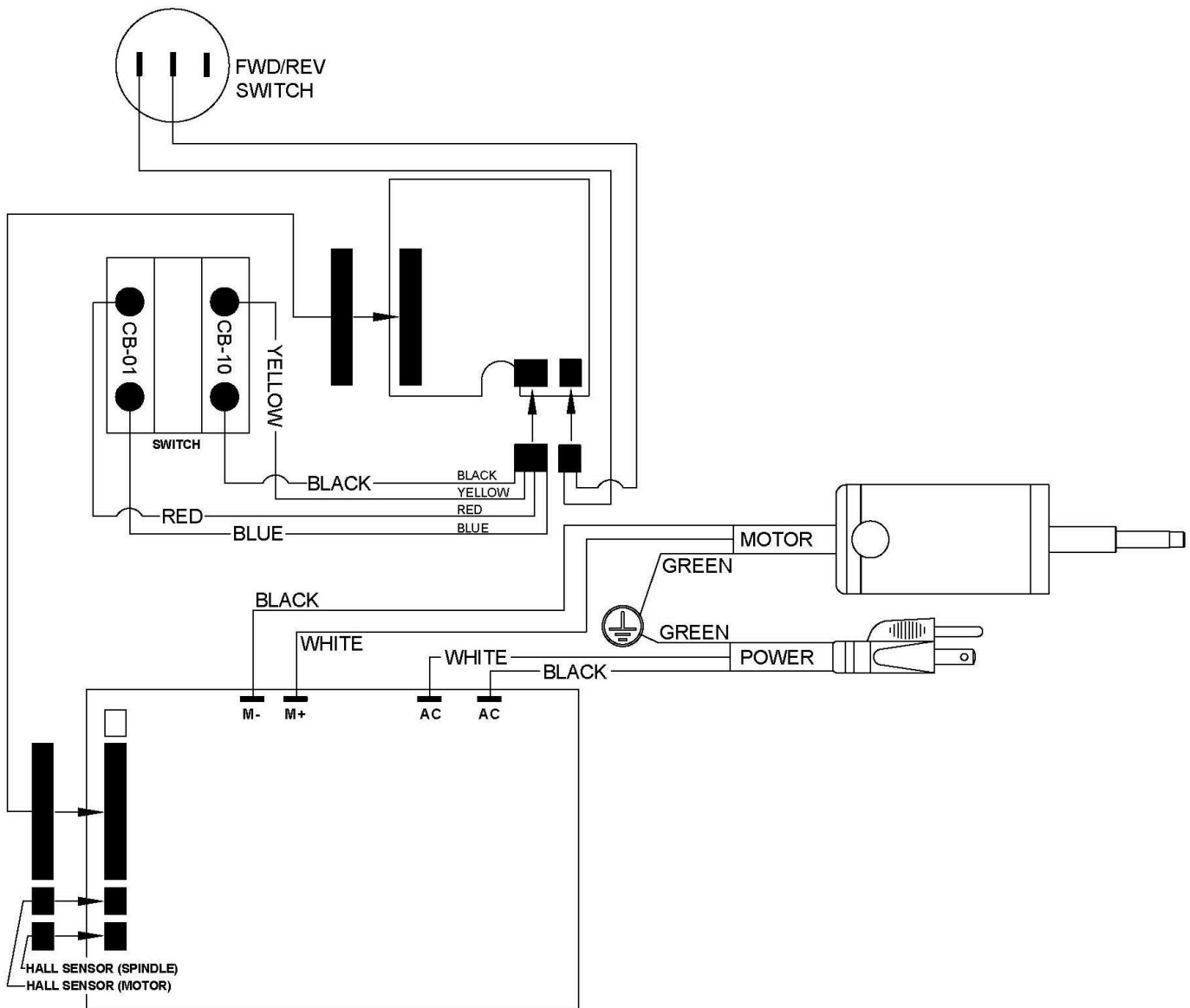
⚠ WARNING: VOLTAGE. Before connecting this tool to a power supply (receptacle, outlet, etc.) make sure that the voltage supplied is the same that is specified on the nameplate of the tool. IF IN DOUBT, DO NOT PLUG IN THE MACHINE. Using this tool with a voltage different than that stated on the nameplate can damage the electrical components of this machine and any such damage will not be covered by a warranty.

⚠ WARNING: CIRCUIT BREAKER. Also make sure that the power supply is equipped with the appropriate breaker and plug according to your local electrical code. To do this, first check the motor plate to get the FLA amperage of the machine, if worn out or not present refer to the specifications sheet. If there is any doubt in choosing the appropriate circuit breaker, please consult an electrician or an electrical supply source.

⚠ WARNING: ELECTRICAL SHOCK. It is extremely dangerous to work on live wires and/or electrical systems that are connected to a power source. ALWAYS disconnect the power from the machine prior to performing any maintenance or adjustments work.

⚠ WARNING: MOTOR WIRING: The information in this manual was current at the time of printing but may be different than the diagram on your machine. ALWAYS use the supplied wiring diagram with the machine or motor (under the electrical covering) if present.

Customer Support: (800)-332-4049 or customerservice@lagunatools.com



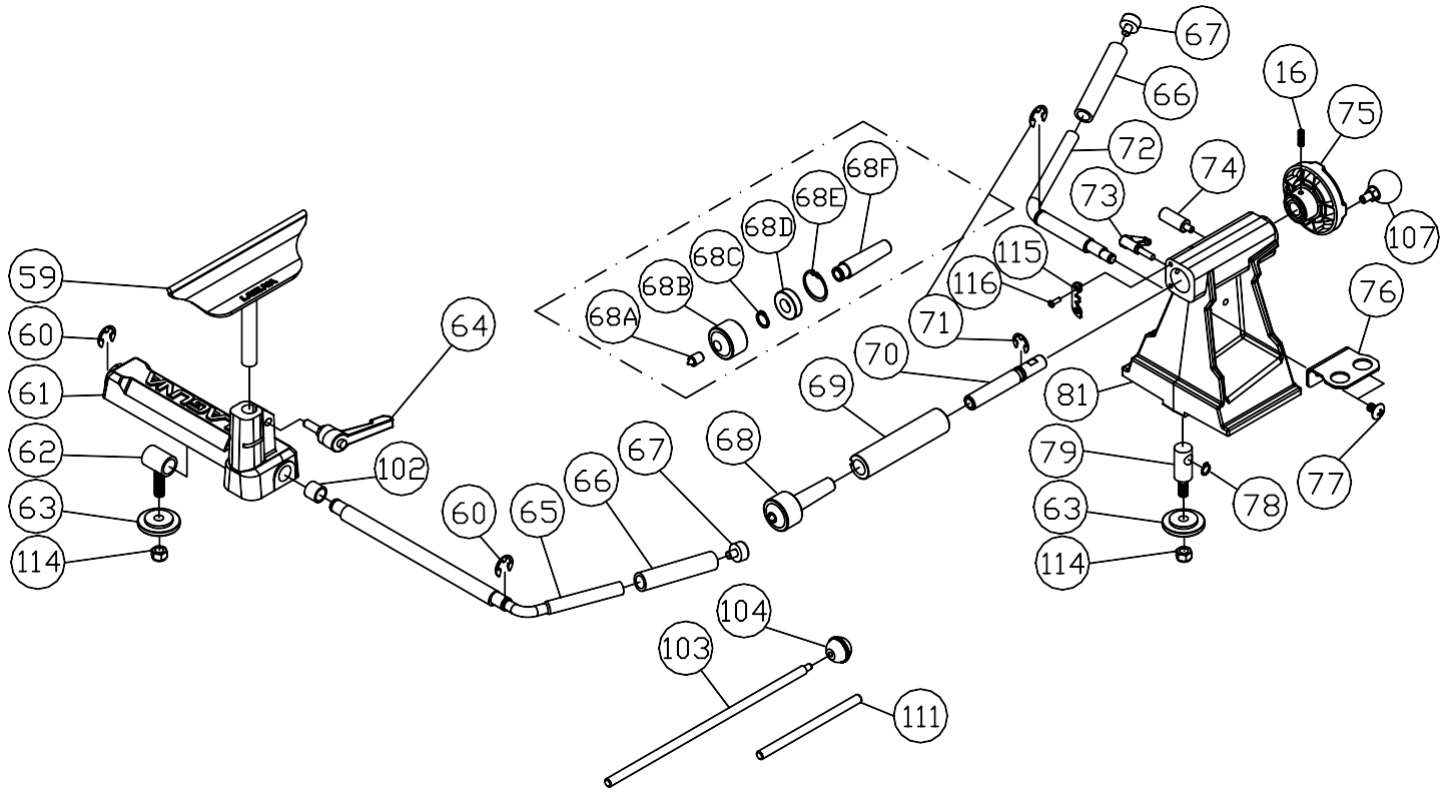
Parts

⚠ WARNING: Never perform and setup, maintenance or adjustments with the machine connected to the power source!

TECH TIP Only use authentic Laguna Tools parts for replacements.

Customer Support: (800)-332-4049 or customerservice@lagunatools.com

Revo 1216 Banjo, Tool Rest, Tail Stock, Centers

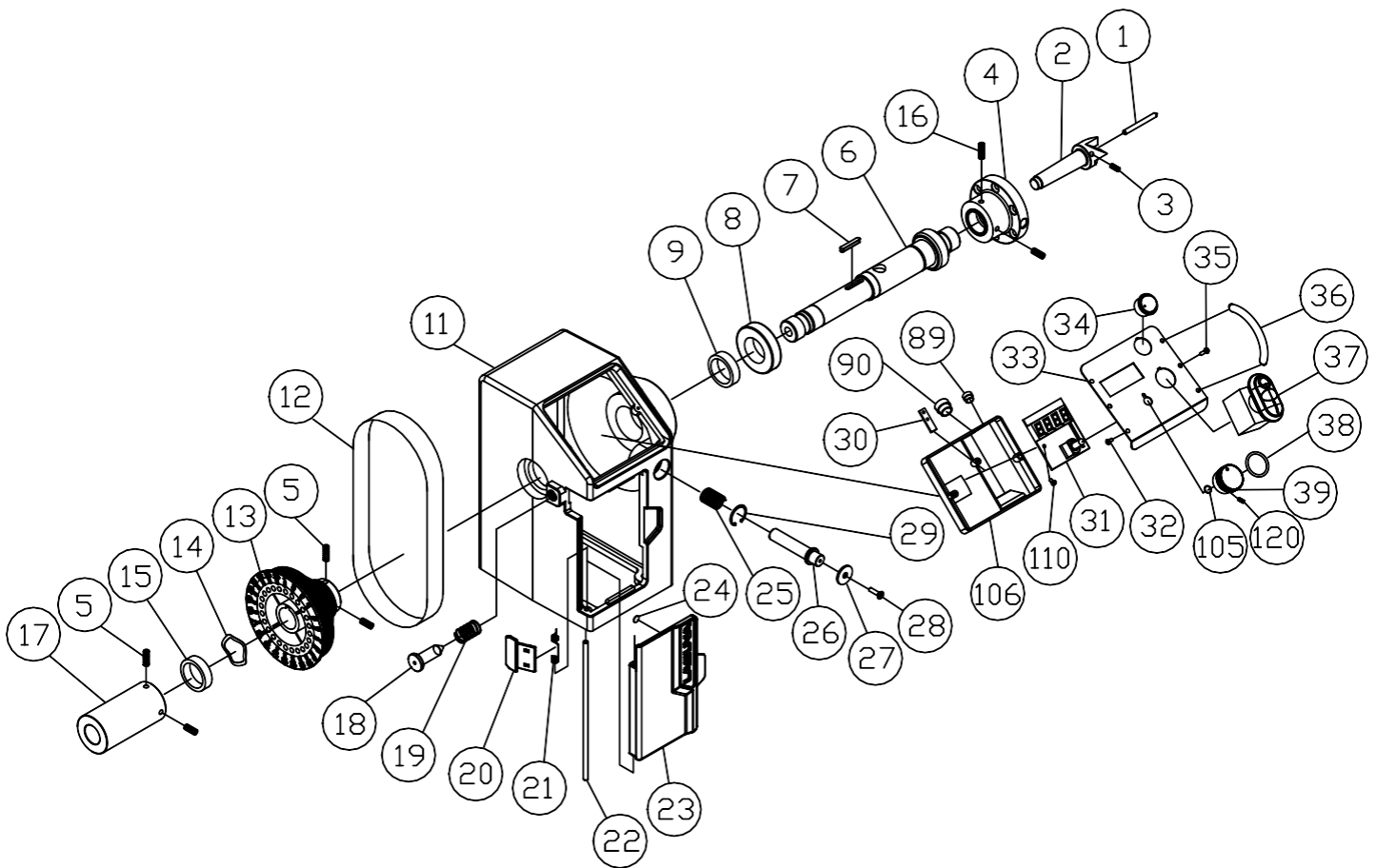


Key	Part Number	Description	Specification	Qty
16	PLAREVO1836-1119	Set Screw	1/4-20UNCx3/8"	5
59	PLAREVO1216-159	8" Tool Rest		1
60	PLAREVO1216-160	E-RING	E-10	2
61	PLAREVO1216-161	Tool Rest Support Base		1
62	PLAREVO1216-162	Clamp Bolt		1
63	PLAREVO1216-163	Clamp		2
64	PLAREVO1216-164	Lock Handle		1
65	PLAREVO1216-165	Tool Rest Locking Handle		1
66	PLAREVO1216-166	Rubber Sleeve		2
67	PLAREVO1216-167	Cap		2
68	PLAREVO1216-168	Live Center Assembly		1
69	PLAREVO1216-169	Quill		1
70	PLAREVO1216-170	Lead Screw		1
71	PLAREVO1216-171	E-RING	E-12	2
72	PLAREVO1216-172	Tailstock Locking Handle		1
73	PLAREVO1216-173	Lock Handle		1
74	PLAREVO1216-174	Stop Bolt		1
75	PLAREVO1216-175	Handwheel		1

Parts

76	PLAREVO1216-176	Tailstock Tool Caddy		1
77	PLAREVO1216-177	Screw	5/16-18UNCx1/2"	2
78	PLAREVO1216-178	C-RING	S10	1
79	PLAREVO1216-179	Clamp Bolt		1
81	PLAREVO1216-181	Tailstock		1
102	PLAREVO1216-1102	bushing		1
103	PLAREVO1216-1103	Knockout Rod		1
104	PLAREVO1216-1104	Knob		1
107	PLAREVO1836-181	Knob		1
111	PLAREVO1836-1136	Handle, Faceplate		1
114	PLAREVO1216-1114	Nylon Insert Lock Nut	3/8-16UNC	2
115	PLAREVO1216-1115	Plate		1
116	415241-1128	Socket Head Button Screw	3/16-20UNCx1/2"	2

Revo 1216 Headstock Assembly

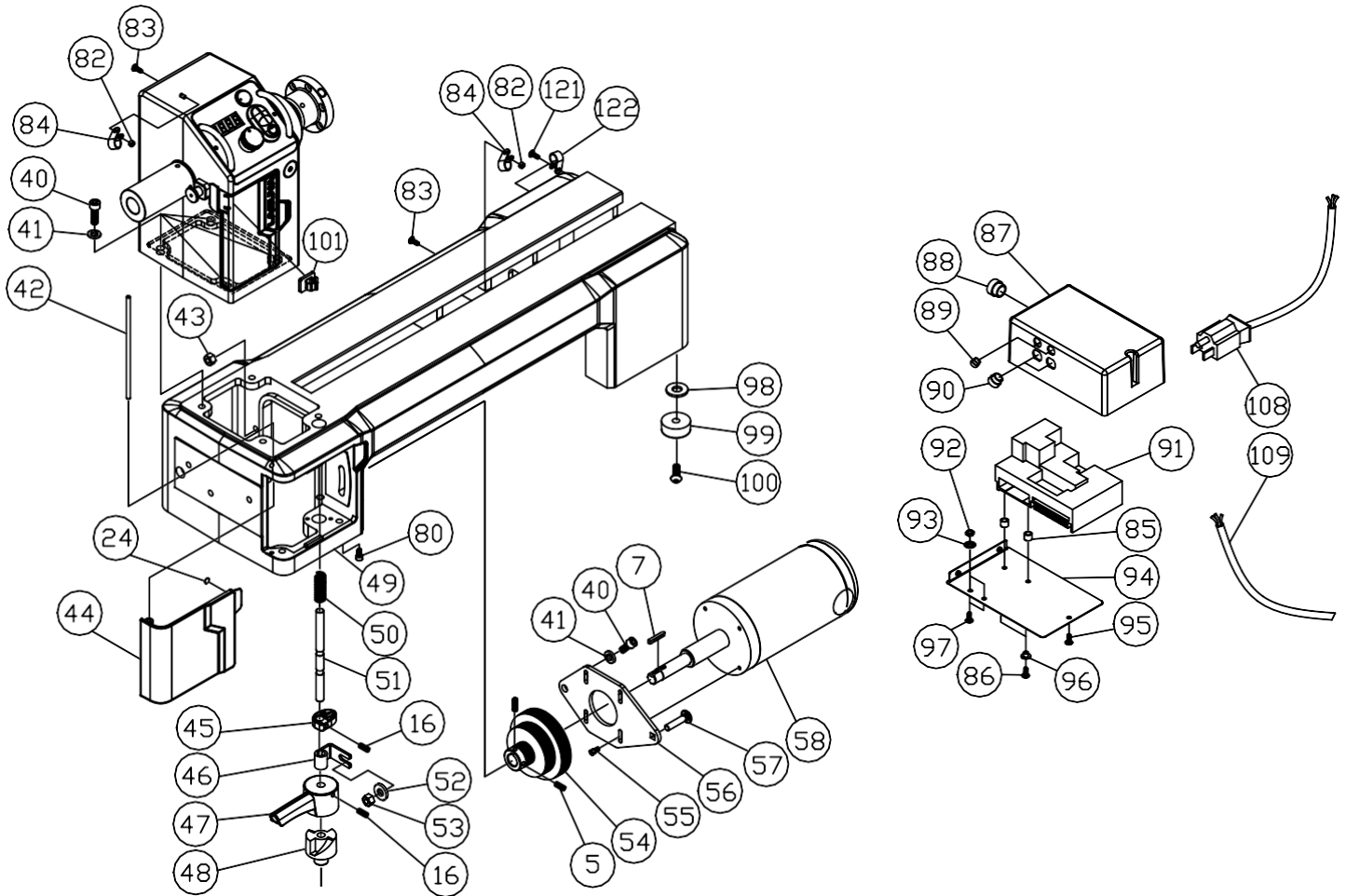


Key	Part Number	Description	Specification	Qty
1	PLAREVO1836-1140	Thimble		1
2	PLAREVO1836-124	Spur Center		1
3	PLAREVO1836-1124	Set Screw	M6x1.0x6mm	1
4	PLAREVO1216-104	3" Faceplate		1
5	PLAREVO1836-1101	Set Screw	1/4-20UNCx1/4"	6
6	PLAREVO1216-106	Spindle		1
7	PLAREVO1216-107	Key	5x5x25mm	2
8	PLAREVO1216-108	Ball Bearing	6006LLU	1
9	PLAREVO1216-109	Magnetic ring		1
11	PLAREVO1216-111	Headstock		1
12	PLAREVO1216-112	Poly-V Belt	PJ6-290	1

Parts

13	PLAREVO1216-113	Spindle Pulley		1
14	PLAREVO1216-114	Wave Washer	6204	1
15	PLAREVO1216-115	Ball Bearing	6005LLU	1
16	PLAREVO1836-1119	Set Screw	1/4-20UNCx3/8"	5
17	PLAREVO1216-117	Handwheel		1
18	PLAREVO1216-118	INDEX-PIN		1
19	PLAREVO1216-119	Spring		1
20	PLAREVO1216-120	Window		1
21	PLAREVO1216-121	Spring		1
22	PLAREVO1216-122	Upper Door Shaft		1
23	PLAREVO1216-123	Upper Door		1
24	PLAREVO1836-1151	Magnet		2
25	PLAREVO1836-103	Spring		1
26	PLAREVO1216-126	Spindle Lock Plunger		1
27	PLAREVO1836-132	Disc, Spindle Lock		1
28	PLAREVO1836-1141	Socket Flat Head Screw	M3x0.5x8mm	1
29	PLAREVO1836-191	C-Ring	R22	1
30	PLAREVO1216-130	Digital Readout Sensor		1
31	PLAREVO1216-131	Digital Readout		1
32	PLAREVO1216-132	Phillips Flat Head Screw	M3x0.5x6mm	4
33	PLAREVO1216-133	Control Panel		1
34	PLAREVO1216-134	Fwd/Rev Switch		1
35	PLAREVO1216-135	Socket Head Button Screw	M3x0.5x20mm	2
36	PLAREVO1216-136	Handle		2
37	PLAREVO1836-170	ON/ OFF Switch		1
38	PLAREVO1216-138	O-Ring	P22	1
39	PLAREVO1216-139	Speed Knob		1
89	PLAREVO1216-189	Strain Relief	SB5M-2	3
90	PLAREVO1216-190	Strain Relief	6P-4	3
105	PLAREVO1216-1105	O-Ring	P12	1
106	PLAREVO1216-1106	Control Box		1
110	PLAREVO1216-1110	Pan Head Self-Tapping Screw	M3x0.5x8mm	2
120	PLAREVO1836-1100	Set Screw	M4x0.7x4mm	1

Revo 1216 Bed, Internals, Motor

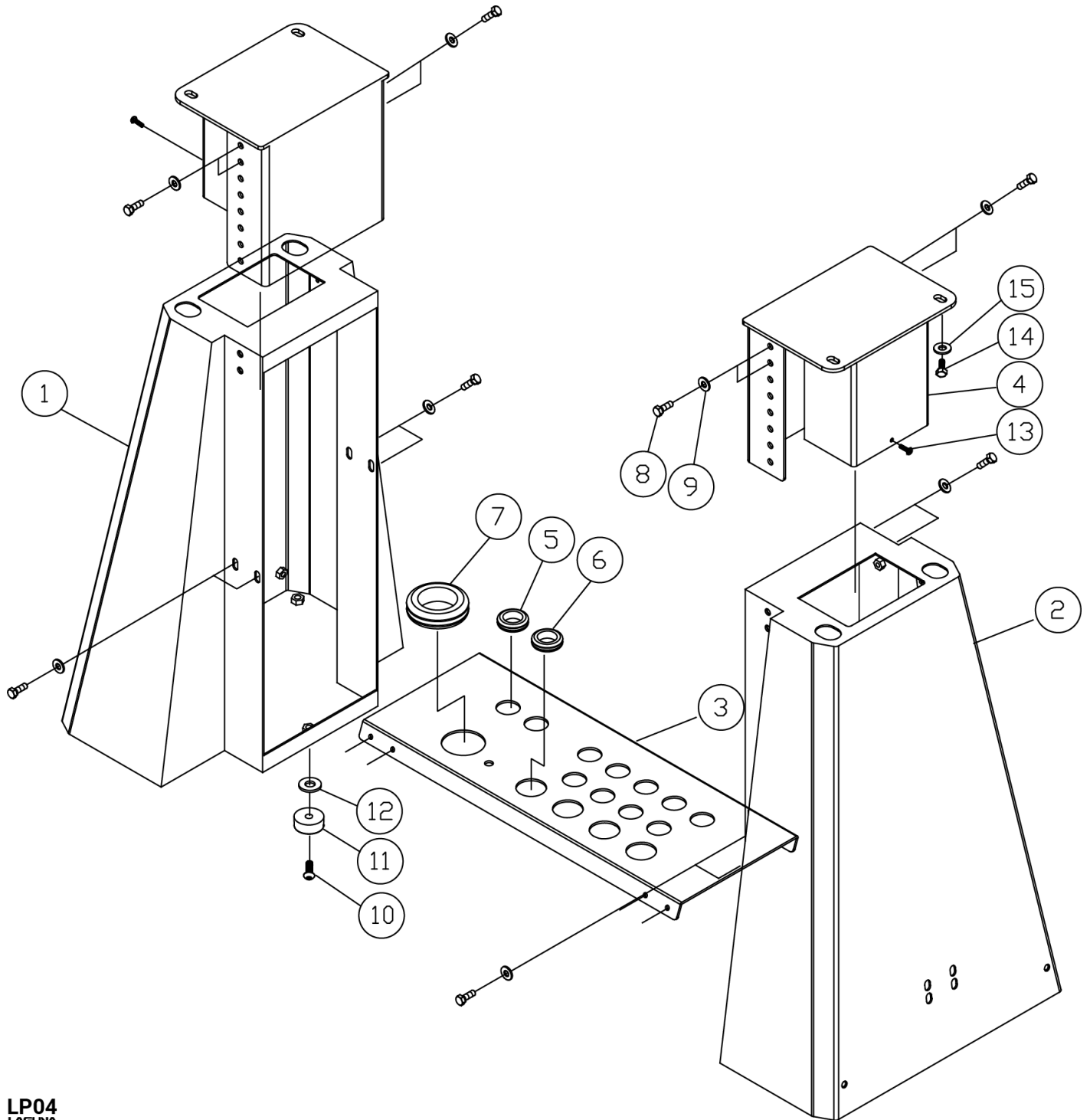


Key	Part Number	Description	Specification	Qty
5	PLAREVO1836-1101	Set Screw	1/4-20UNCx1/4	6
7	PLAREVO1216-107	Key	5x5x25	2
16	PLAREVO1836-1119	Set Screw	1/4-20UNCx3/8	5
24	PLAREVO1836-1151	Magnet		2
40	PLAREVO1216-140	Socket Head Cap Screw	3/8-16UNCx1"	5
41	PLAREVO1836-1115	Lock Washer	3/8"	5
42	PLAREVO1216-142	Lower Door Shaft		1
43	PLAREVO1216-143	Nylon Insert Lock Nut	3/8-16UNC	3
44	PLAREVO1216-144	Lower Door		1
45	PLAREVO1216-145	CAM		1
46	PLAREVO1216-146	Link block		1
47	PLAREVO1216-147	Belt Tension Handle		1
48	PLAREVO1216-148	Belt Tension Base		1
49	PLAREVO1216-149	Bed		1
50	PLAREVO1216-150	Spring		1
51	PLAREVO1216-151	Belt Tension Shaft		1
52	PLAREVO1836-1113	Flat Washer	D8xD18x2t	3
53	PLAREVO1216-153	Nylon Insert Lock Nut	M8	1
54	PLAREVO1216-154	Motor Pulley		1
55	PLAREVO1216-155	Socket Head Cap Screw	M5x15	4
56	PLAREVO1216-156	Motor Plate		1
57	PLAREVO1216-157	Carriage Bolt	M8x30	1
58	PLAREVO1216-158	DC Motor		1
58A	PLAREVO1216-158A	Magnetic ring		1
58B	PLAREVO1216-158B	Carbon brush		2
58C	PLAREVO1216-158C	Motor Sensor		1

Parts

80	PLAREVO1216-180	Screw	M4x15	2
82	PLAREVO1836-1153	Hex Nut	M4x0.7	2
83	PLAREVO1216-183	Screw	M4x20	2
84	PLAREVO1216-184	Cord Holder		2
85	PLAREVO1216-185	Spacer		2
86	PLAREVO1216-186	Screw	M5x15	4
87	PLAREVO1216-187	Control Box		1
88	PLAREVO1216-188	Strain Relief	7P-2	1
89	PLAREVO1216-189	Strain Relief	4K-4	3
90	PLAREVO1216-190	Strain Relief	6P-4	3
91	PLAREVO1216-191	Control board		1
92	PLAREVO1216-192	Hex Nut	#10-32UNF	2
93	PLAREVO1216-193	Washer, Lock-Int. Tooth	#10	2
94	PLAREVO1216-194	Cover, Base-Control Box		1
95	PLAREVO1216-195	Pan Head Self-Tapping Screw	#8x1/2"	1
96	PLAREVO1216-196	bushing		2
97	PLAREVO1216-197	Screw	#10-32UNFx1/2"	2
98	PLAREVO1216-198	Flat Washer	3/8"x27x3t	4
99	PLAREVO1216-199	Rubber Pad		4
100	PLAREVO1216-1100	Socket Head Button Screw	3/8"-16UNCx1"	4
101	PLAREVO1216-1101	Cord Holder		1
108	PLAREVO1216-1108	Power Cord		1
109	PLAREVO1216-1109	Control Cord		1
121	PLAREVO1216-1121	Screw	M8x40	2
122	PLAREVO1836-1142	Cord Holder		1

Option: Laguna REVO 1216 Lathe Stand (ALAREVO1216-STAND)



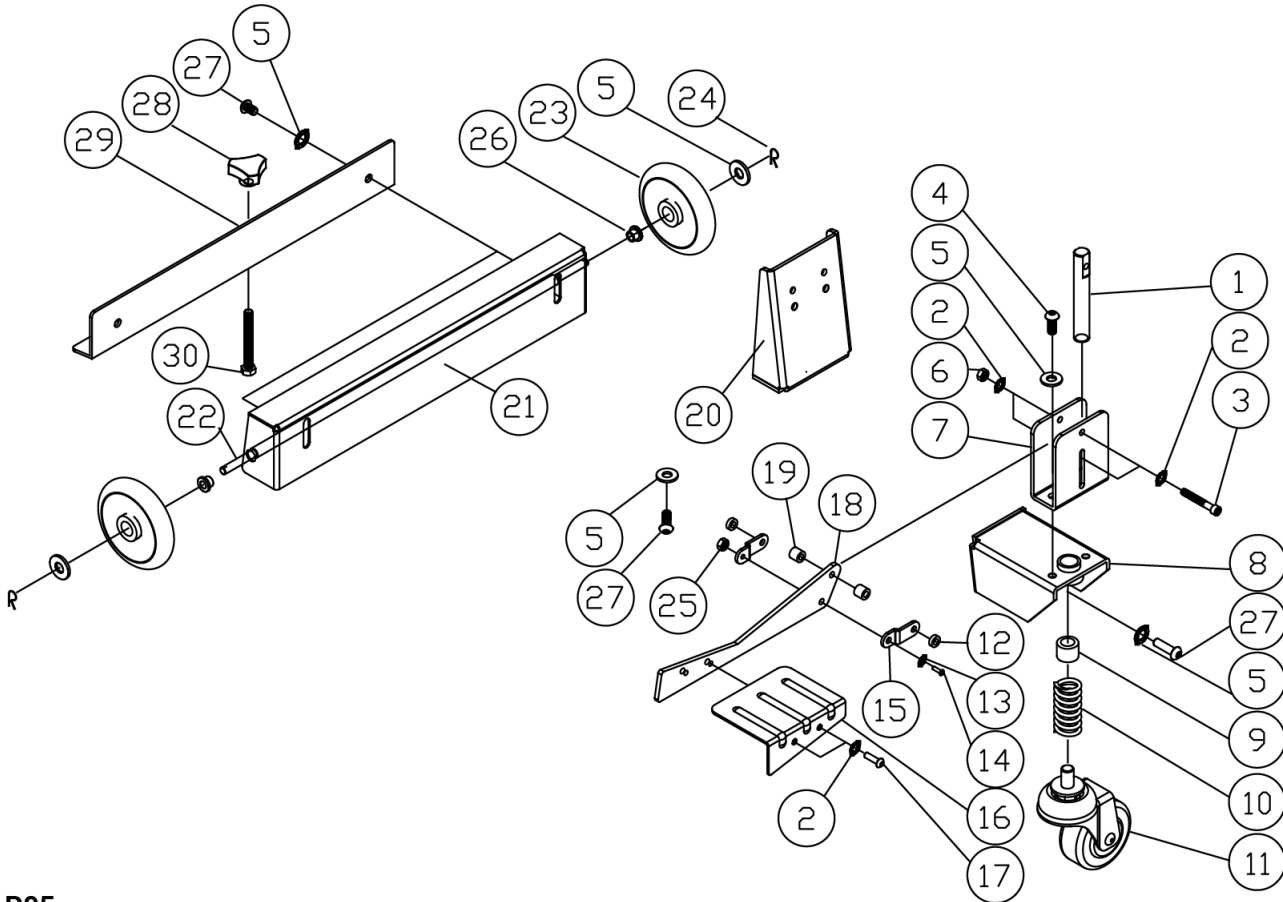
LP04
LAGUNA

Key	Part Number	Description	Specification	Qty
1	PLAREVO1216-201	Stand		1
2	PLAREVO1216-202	Stand		1
3	PLAREVO1216-203	Connect Plate		1
4	PLAREVO1216-204	Adjust Set		2
5	PLAREVO1216-205	Rubber Bushing	D25	11
6	PLAREVO1216-206	Rubber Bushing	D35	4
7	PLAREVO1216-207	Rubber Bushing	D50	1
8	PLAREVO1216-208	Hex Cap Screw	5/16-18UNCx1/2"	16
9	PLAREVO1836-1113	Flat Washer	D8xD18x2t	16

Parts

10	PLAREVO1216-1100	Socket Head Button Screw	3/8"-16UNCx1"	6
11	PLAREVO1216-199	Rubber Pad		6
12	PLAREVO1216-198	Flat Washer	3/8"x27x3t	6
13	PLAREVO1216-213	Screw	M5x10	2
14	PLAREVO1216-214	Hex Cap Screw	3/8-16UNCx3/4"	4
15	PLAREVO1216-215	Flat Washer	3/8"x23x2t	4

Option: Laguna REVO 1216 Mobility Kit (MBA14/12 WHEEL SYSTEM)



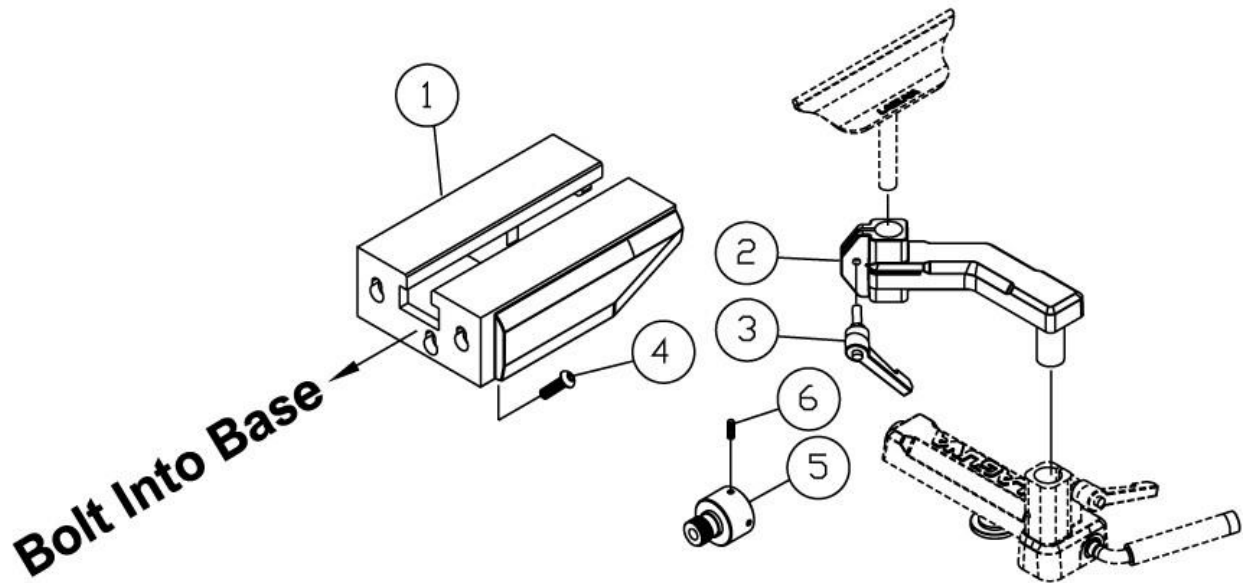
LP05
LAGUNA

Key	Part Number	Description	Specification	Qty
1	PBAND1412-175-6-1	Rod		1
2	PBAND1412-175-6-2	Flat Washer	1/4"	6
3	PBAND1412-175-6-3	Socket Head Cap Screw	1/4"-20x1-3/4"	2
4	PBAND1412-175-6-4	Socket Head Button Screw	5/16"-18x1/2"	2
5	PBAND1412-175-6-5	Flat Washer	5/16"	11
6	PBAND1412-175-6-6	Nylon Inserted Lock Nut	1/4"-20	2
7	PBAND1412-175-6-7	Fixed Plate		1
8	PBAND1412-175-6-8	Wheel Bracket		1
9	PBAND1412-175-6-9	DU Bearing	MB1620DU	1
10	PBAND1412-175-6-10	Spring		1
11	PBAND1412-175-6-11	Caster		1
12	PBAND1412-175-6-12	Spacer		2
13	PBAND1412-175-6-13	Flat Washer	M5	1
14	PBAND1412-175-6-14	Screw	M5x0.8x20	1
15	PBAND1412-175-6-15	Connecting Plate		2
16	PBAND1412-175-6-16	Foot Pedal		1
17	PBAND1412-175-6-17	Socket Head Button Screw	1/4"-20x3/8"	2
18	PBAND1412-175-6-18	Plate		1
19	PBAND1412-175-6-19	Spacer		2

Parts

20	PBAND1412-175-6-20	Support Plate		1
21	PBAND1412-175-6-21	Support Plate		1
22	PBAND1412-175-6-22	Rod		1
23	PBAND1412-175-6-23	Wheel		2
24	PBAND1412-175-6-24	Retaining Pin	R8	2
25	PBAND1412-175-6-25	Nylon Inserted Lock Nut	M5x0.8	1
26	PBAND1412-175-6-26	Bushing		2
27	PBAND1412-175-6-27	Socket Head Button Screw	5/16" -18x3/4"	7
28	PBAND1412-175-6-28	Knob		1
29	PBAND1412-175-6-29	Support Plate		1
30	PBAND1412-175-6-30	Hex Cap Screw	M8x1.25x70	1

Option: Laguna REVO 1216 Expansion Set (ALAREVO1216 EXTENSION)



LP06
LAGUNA

Key	Part Number	Description	Specification	Qty
1	PLAREVO1216-301	Extension Bed		1
2	PLAREVO1216-302	Tool Rest Extension		1
3	PLAREVO1216-164	Lock Handle		1
4	PLAREVO1836-303	Socket Head Button Screw	3/8-16UNCx1"	3
5	PLAREVO1216-305	Adapter		1
6	PLAREVO1836-1119	Set Screw	1/4-20UNCx3/8	4

NOTES:

LAGUNA[®]

744 Refuge Way Suite 200
Grand Prairie TX 75050 U.S.A.

Service: +1 (800) 332-4049 or email customerservice@lagunatools.com
lagunatools.com 051723

