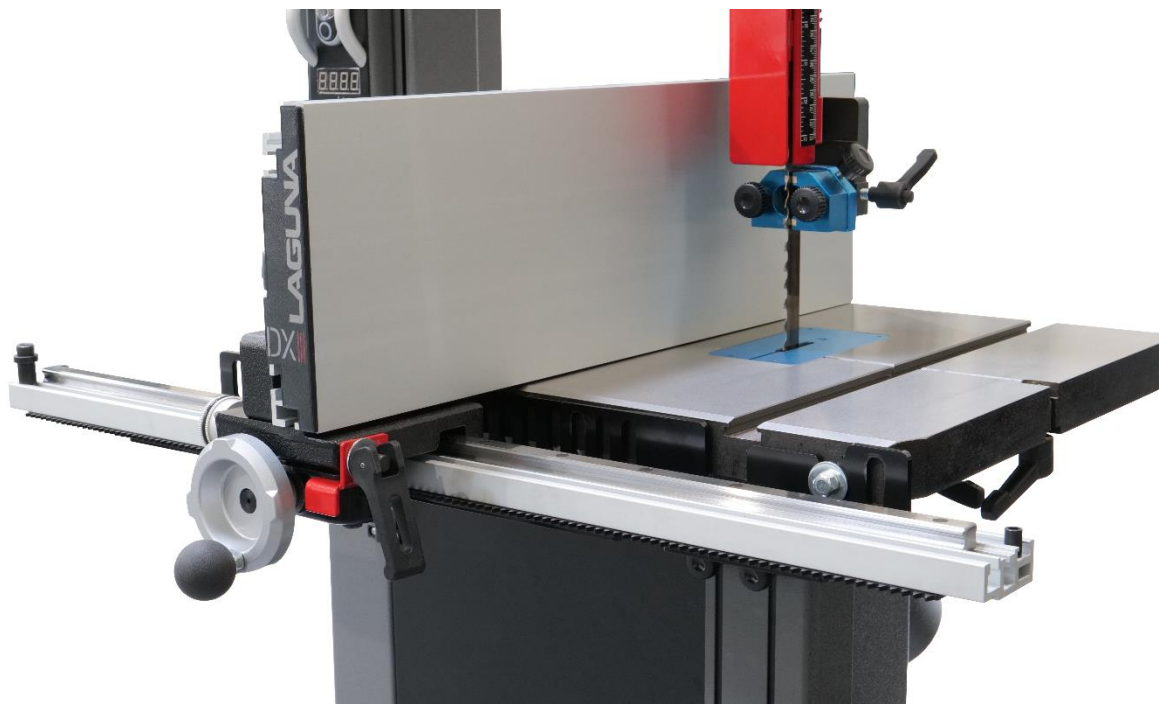


LAGUNA

OWNERS'S MANUAL

DXIII DRIFTMASTER FENCE



Bandsaw not included with DXIII Driftmaster Fence System

SKU: 110363



www.lagunatools.com

LAGUNA

Thank you for investing in a DXIII Driftmaster Fence by Laguna Tools. This fence is one of a family of unique accessories proudly offered by Laguna Tools. Every Laguna product is engineered for years of dependable service. Please feel free to contact Laguna Tools if you have a question or suggestion. We appreciate working with you and your choice of Laguna Tools for your shop.

Regards,
Torben Helshoj
President & Founder Laguna Tools

This manual applies to the DXIII Driftmaster fence system. Enter the model number, serial number and purchase information below for quick reference when ordering accessories, supplies or parts.

Model: _____

Serial: _____

Date of purchase: _____

Place of purchase: _____

LATEST MANUAL:

Below is a QR code which will direct you to the manual reference page, where the latest version of the manual is located on the Laguna Tools website. The online manual may have updates and information added after the printed copy was released. Scan the code with your smartphone or copy the URL link to be directed to the latest manual page to reference your specific machine and model.

<https://lagunatools.com/resources/product-manuals/#classic>



Laguna Tools 744 Refuge Way, Suite 200
Grand Prairie TX 75050

800-234-1976

www.lagunatools.com

Table of Contents

Table of Contents	3
Warranty & Support	4
Safety	5
Specifications	7
Features	6
Set Up	8
Inventory.....	8
Controls & Functions	9
Assembly	10
Adjustments	13
Drift Adjustment.....	14
Operation	15
Maintenance	15
Part References	16
Exploded View	16
Parts List.....	17
Ordering Parts.....	18

WARRANTY & REGISTRATION

THANK YOU!

Welcome to the Laguna Tools® group of discriminating woodworkers. We understand that you have a choice of where to purchase your machines and appreciate the confidence you have in the Laguna Tools® brand.

Through hands-on experience, Laguna Tools® is constantly working hard to make innovative, precision products. Products that inspire you to create works of art, are a joy to operate, and encourage your best work.

Laguna Tools®
Imagination, Innovation, and Invention at Work

WARRANTY & REGISTRATION

Every product sold is warranted to be free of manufacturers' defective workmanship, parts, and materials. For any questions about this product, the intended use or what it was designed for, customer service, or replacement parts, please contact our customer service department:

Laguna Tools® Customer Service
744 Refuge Way, Grand Prairie, Texas 75050, USA
1-800-234-1976
customerservice@lagunatools.com
www.lagunatools.com/why/customer-service/
8AM to 5PM PST, Monday through Friday

For warranty claims or to report damage upon receiving – please reach out to our warranty department:

Laguna Tools® Warranty Service
744 Refuge Way, Grand Prairie, Texas 75050, USA
1-800-332-4049
customerservice@lagunatools.com
www.lagunatools.com/policies/warranty/
8AM to 5PM PST, Monday through Friday

REGISTRATION

To prevent voiding this warranty, all products sold must be registered within thirty (30) days of receiving the product. Registering the product will enable the original purchaser to receive notifications about important product changes, receive customer service, and be able to file a warranty claim against defective workmanship, parts, or materials.



WHO IS COVERED

The applicable warranty covers only the initial purchaser of the product from the date of receiving the product. To file such claims, the original purchaser must present the original receipt as proof of purchase.

WHAT IS COVERED

The warranty covers any defects in the workmanship of all parts and materials that make up the machine unless otherwise specified. Any part, determined by Laguna Tools®, to have a defect will be repaired or replaced (and shipped), without charge. The defective item/part must be returned to Laguna Tools® with the complaint and proof of purchase in the original packaging that it was received in. In the event the item/part is determined to be not covered by this warranty, the customer will be responsible for the cost to replace the item/part and all related shipping charges.

WARRANTY LIMITATIONS

This limited warranty does not apply to natural disasters, acts of terrorism, normal wear and tear, product failure due to lack of maintenance or cleaning, damage caused by accident, neglect, or lack-of inadequate dust collection. The warranty may be voided against proof of misuse/abuse, damage caused where repair or alterations have been made or attempted by others, using the product for purposes other than those described as intended use (unless with consent by Laguna Tools®), modification to the product, or use with an accessory that was not designed for the product. It is the responsibility of the user to understand basic woodworking machinery settings and procedures and to properly maintain the equipment in accordance with the standards provided in this manual.

LENGTH OF WARRANTY

All new machines and optional accessories sold through an authorized dealer carry a two-year warranty effective the date of receiving the product. Machines sold for either commercial or industrial use have a one-year warranty. Wearable parts like throat plates, bandsaw guides, etc., have a ninety-day warranty.

Table A-1 Warranty Lengths

2 Year – New Machines Sold Through an Authorized Dealer
2 Year – Accessories Sold as Machine Options (excluding blades)
1 Year – Machines Sold for Commercial or Industrial Use
1 Year – Blades and Accessories outside of Machine Options
90 Days – Wearable Parts

Aside from being free of defects upon receiving, consumable parts, like cutters and abrasives, are not covered by this warranty unless otherwise stated by Laguna Tools®. These parts are designed to be used at the expense of the operator and are available for replacement or inventory purchase. The determination of a consumable part will be made on a case-by-case basis by Laguna Tools®.

SHIPPING DAMAGE

Laguna Tools® is not responsible for damage or loss caused by a freight company or other circumstances not in the direct control of Laguna Tools®. All shipping-related claims for loss or damage goods must be made to Laguna Tools within twenty-four hours of delivery.

HOW TO RECEIVE SUPPORT

To file a warranty-claim please contact the warranty department at 1-800-234-1976. To receive customer service or technical support please contact the customer service department at 1-800-332-4049. Parts, under warranty, are shipped at the expense of Laguna Tools® either by common carrier, FedEx ground services or similar method. Technical support to install replacement parts is primarily provided by phone, fax, email, or the Laguna Tools Customer Support Website.



Safety

Read and understand all warnings and operation instructions before using any tool or equipment. Always follow basic safety precautions to reduce the risk of personal injury. Improper operation, maintenance or modification of tools or equipment could result in serious injury and property damage. There are certain applications for which tools and equipment are designed. This product should NOT be modified and/or used for any application other than for which it was designed.

It is important for you to read and understand this manual. The information it contains relates to protecting your safety and preventing problems.

Safety Guidelines - Definitions

This manual contains information that is important for you to know and understand. This information relates to protecting your safety and preventing equipment problems. To help you recognize this information, we use the symbols below. Please read the manual and pay attention to these sections.

⚠ DANGER! or **DANGER!** Indicates an imminently hazardous situation which, if not avoided, will result in death or serious injury.

⚠ WARNING! or **WARNING!** Indicates a potentially hazardous situation which, if not avoided, could result in death or serious injury.

⚠ CAUTION! or **CAUTION!** Indicates a potentially hazardous situation which, if not avoided, may result in minor or moderate injury.

TECH TIP Indicates a helpful tip from our technical staff.

Important Safety Instructions

⚠ WARNING! Read and understand all warnings and operating instructions before using this equipment. Failure to follow all instructions listed below, may result in electric shock, fire, and/or serious personal injury or property damage.

Woodworking can be dangerous if safe and proper operating procedures are not followed. As with all machinery, there are certain hazards involved with the operation of the product. Using the machine with respect and caution will considerably lessen the possibility of personal injury. However, if normal safety precautions are overlooked or ignored, personal injury to the operator may result. Safety equipment such as guards, push sticks, hold-downs, feather boards, goggles, dust masks and hearing protection can reduce your potential for injury. But even the best guard won't make up for poor judgment, carelessness or inattention. Always use common sense and exercise caution in the workshop. If a procedure feels dangerous, don't try it. Figure out an alternative procedure that feels safer. **REMEMBER:** Your personal safety is your responsibility.

⚠ WARNING! This machine was designed for certain applications only. We strongly recommend that this machine not be modified and/or used for any application other than that for which it was designed. If you have any questions relative to a particular application, do not use the machine until you have first contacted the manufacturer to determine if it can or should be performed on the product.

If you have any questions relative to its application do not use the product until you have contacted the manufacturer and we have advised you.

General Safety Rules

⚠ WARNING! FAILURE TO FOLLOW THESE RULES MAY RESULT IN SERIOUS PERSONAL INJURY.

FOR YOUR OWN SAFETY, READ AND UNDERSTAND THE INSTRUCTION MANUAL BEFORE OPERATING THE MACHINE. Learn the unit's application and limitations as well as the specific hazards peculiar to it.

KEEP WORK AREA CLEAN. Cluttered areas and benches invite accidents.

DON'T USE IN DANGEROUS ENVIRONMENT. Don't use this unit in damp or wet locations or expose it to rain. Keep work area well-lighted.

KEEP CHILDREN AND VISITORS AWAY. All children and visitors should be kept a safe distance from work area.

DISCONNECT UNIT before servicing.

CHECK DAMAGED PARTS. Before further use of the unit, properly repair or replace any part that is damaged.

Proposition 65 Warning

Some dust created by power sanding, sawing, grinding, drilling and other construction activities contain chemicals known to cause cancer, birth defects or other reproductive harm. Some examples of these chemicals are:

- **Lead** from lead based paint.
- **Crystalline silica** from bricks, cement, and other masonry products.
- **Arsenic** and **chromium** from chemically treated lumber.

Your risk of exposure varies, depending on how often you do this type of work. To reduce your exposure to these chemicals, work in a well-ventilated area and work with approved safety equipment, such as face or dust masks that are specifically designed to filter out microscopic particles.

Specifications

LAGUNA DXIII DRIFTMASTER

DXIII DriftMaster Fence	Specifications
Fence Height	7-1/4" at high position 43/64" at low position
Fence Length	22-3/4"
Full Fence Travel	26" in total potential. The actual travel of the fence at left and right of the blade depends on bandsaw design.
Fence Travel per handle rotation	1/4" (6.28mm)
Fence Tilt	10° left to 10° right
Net Weight	27 lbs. (12.3 kg.)
Gross Weight	30.4 lbs. (13.8 kg.)

SKU.....110363

Package Dimensions (L x W x H)....33-7/8" x 12-1/4 x 10-5/8"
(860 x 310 x 270 mm)

DXIII FEATURES

- The world's only Multi-Mode Precision Bandsaw Fence
- Tool-free Drift Adjustment for exacting cuts
- Fits most bandsaws from 14"-18"
- Universal mounting bracket makes installation quick and easy
- Dual mode functionality:
 - Precision handwheel movements for repeated and incremental cuts
 - Manual movements with lock
- Hi/Low resaw fence retains accuracy when changing from high to low position
- Linear guide rail provides smooth, stable operation
- Turns bandsaws into a precision cutting machine
- Reversible manual tape scale included (In/mm)
- Color coded handles: Red - mode selection, Black - Fence lock, Grey - manual lock.

Benefits

- Precision Joinery
- Drift-free cuts
- Repeatable accuracy
- Higher accuracy
- Higher stock yield/less waste
- Quicker set-up

Recommendations/Other notes

- Carbide-tipped Resaw King blade recommended for flawless resaw cuts
- Installs directly on most bandsaws (some saws may require drilling front edge of table)
- See our other accessories that fit Laguna and other bandsaws
 - Bandsaw Blades
 - Work Lights

Set Up

Receiving

If this accessory was delivered by a third party, before unboxing, be sure to inspect the packaging and shipping documents supplied by the driver. Ensure that there is no visible damage to the shipment. If any damage has occurred because of shipment, note the damage on the bill of lading or refuse the shipment. Immediately call the dealer store where the accessory was purchased.

1. Never accept a shipment that is damaged or partial without notifying the shipping company and the purchasing store.

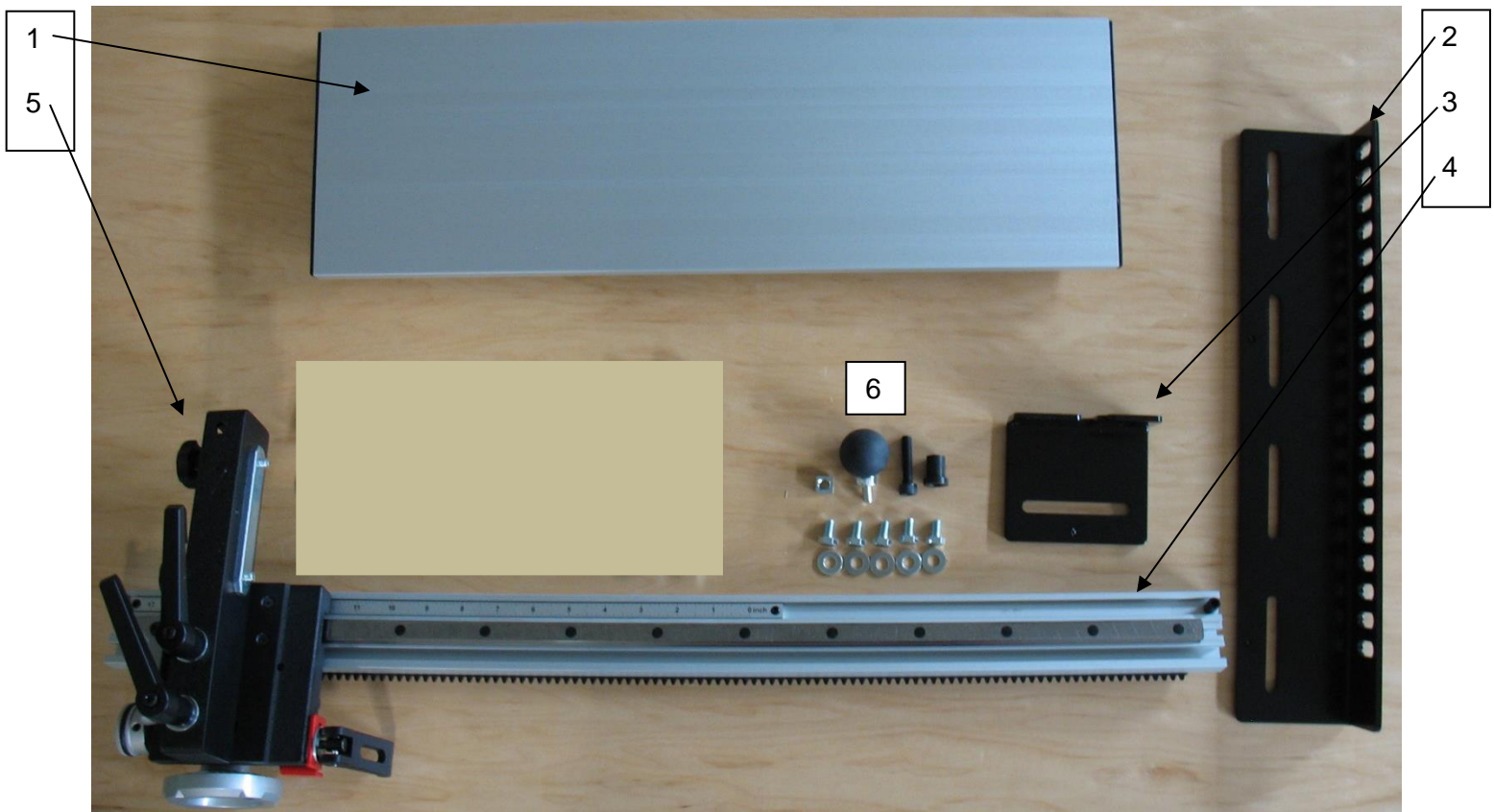
Unboxing

Carefully unbox and remove all components. Unboxing guidelines:

1. Do not cut deep into a box with a blade as it could scratch the paint; only cut deep enough to cut the tape or use a dull edge.
2. Prior to assembling, organize all hardware and setup tools needed.

Inventory

Confirm all items are accounted for before assembly.



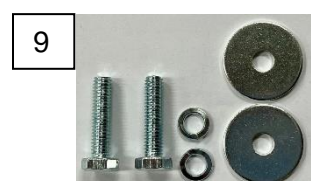
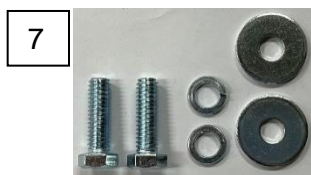
INVENTORY

1. Fence
 2. Large Bracket
 3. Small Bracket
 4. Rail, with double sided ruler (Standard & Metric)
 5. Adjustment Assembly with Locks
(Hardware Bag, #6-10)
 6. Mounting hardware for rail (5 bolts & washers), knob (w/nut) for handwheel, reference stop and hardware (stud, spacer, square nut).
- (continued next page)

INVENTORY cont.

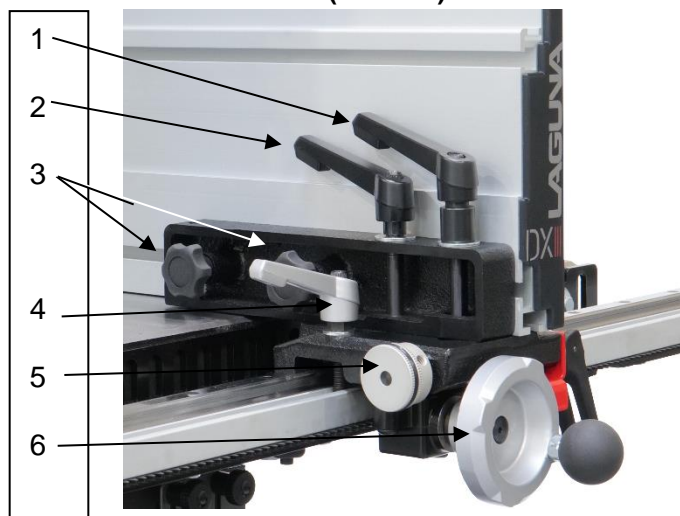
Bracket Mounting Hardware

- 7. Laguna bandsaws, 5/16" hardware
- 8. JET, Powermatic, Rikon, M8 hardware
- 9. Powermatic, M6 hardware
- 10. JET, Rikon, M10 hardware



Controls / Functions

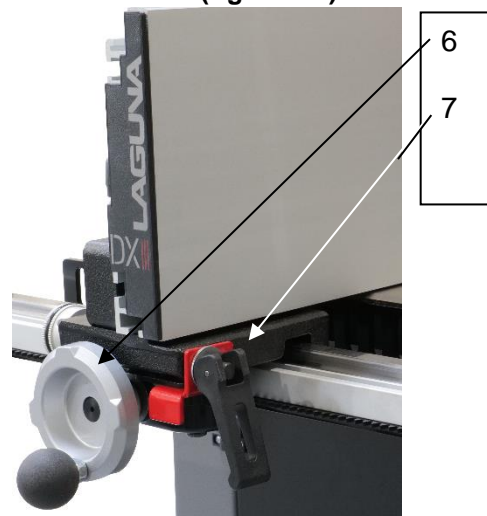
Fence Controls (left side)



Left Side

- 1. Drift Lock
- 2. Drift Lock
- 3. Lock Knobs (2) fence adjustment (forward/back)
- 4. Lock, fence travel (side-to-side)
- 5. Knob, fence drift adjustment
- 6. Handwheel, fence adjustment (side-to-side)

Fence Controls (right side)



Right Side

- 6. Handwheel, fence adjustment (side-to-side)
- 7. Lock, Micro-Adjust (Rack & Pinion) engagement

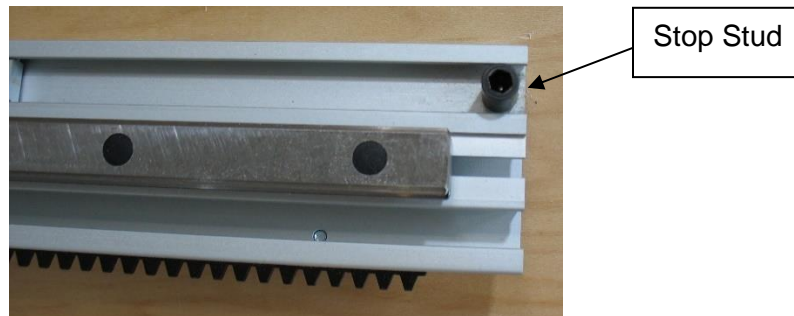
Fence Assembly

Fence Assembly:

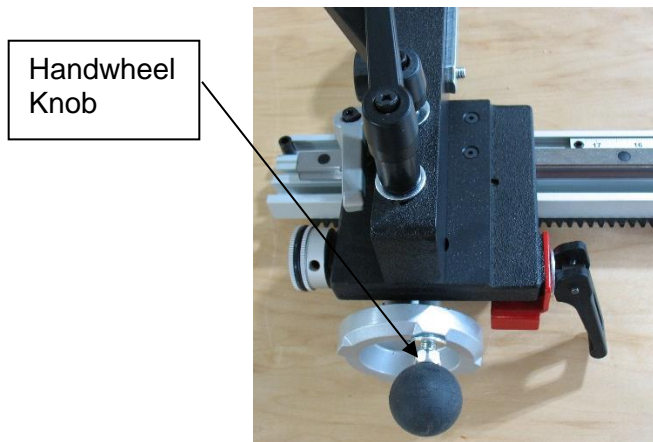
1. Insert the ruler, with the desired measuring system (in. or mm) facing “up”, into the front channel of the Rail.



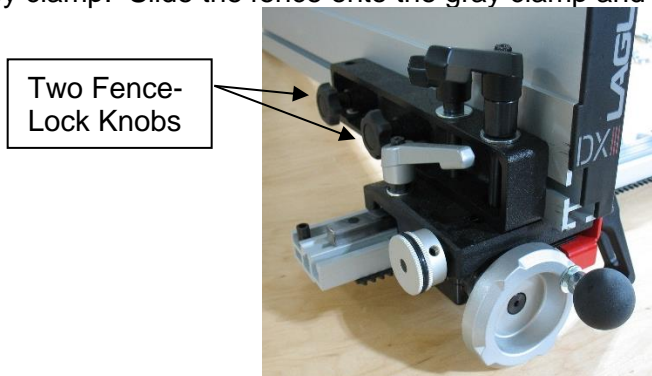
2. Screw in the black Stop Stud into the threaded hole of the front channel on the right side. Tighten with an Allen wrench.



3. Install the black Knob into the threaded hole of the Handwheel. Tighten the nut against the Handwheel to secure it.



4. Loosen the two black plastic fence-lock knobs on the left side of the Adjustment Assembly, but do not remove them from the grey clamp. Slide the fence onto the grey clamp and tighten the two black knobs.

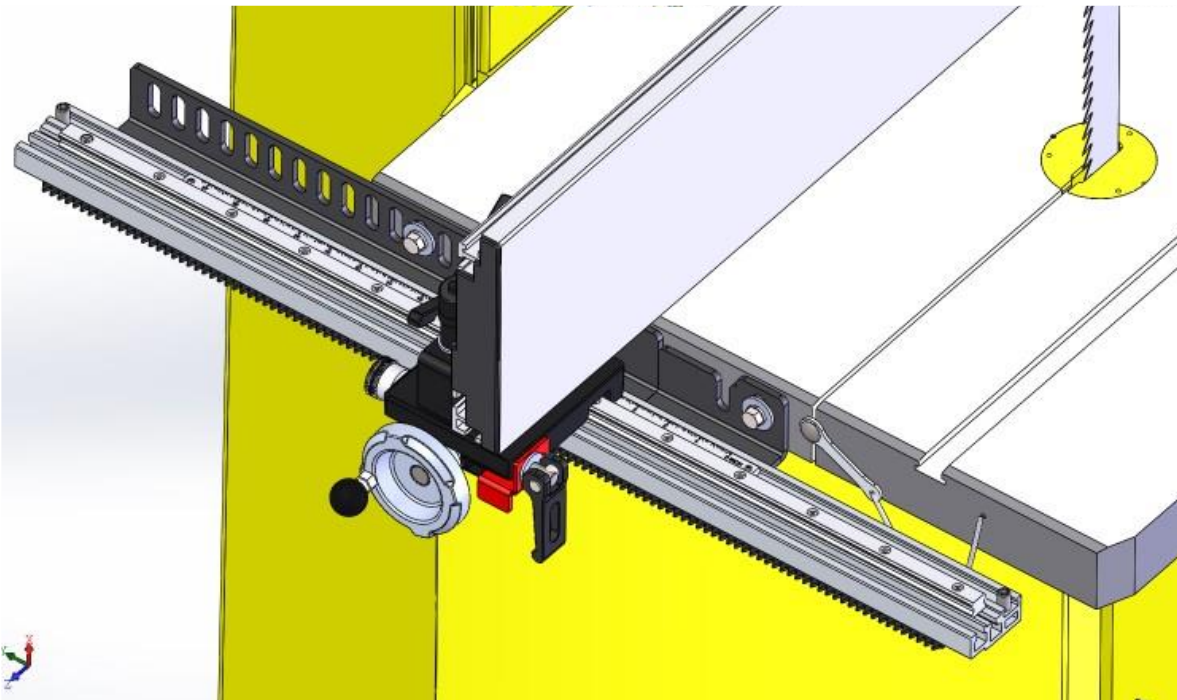
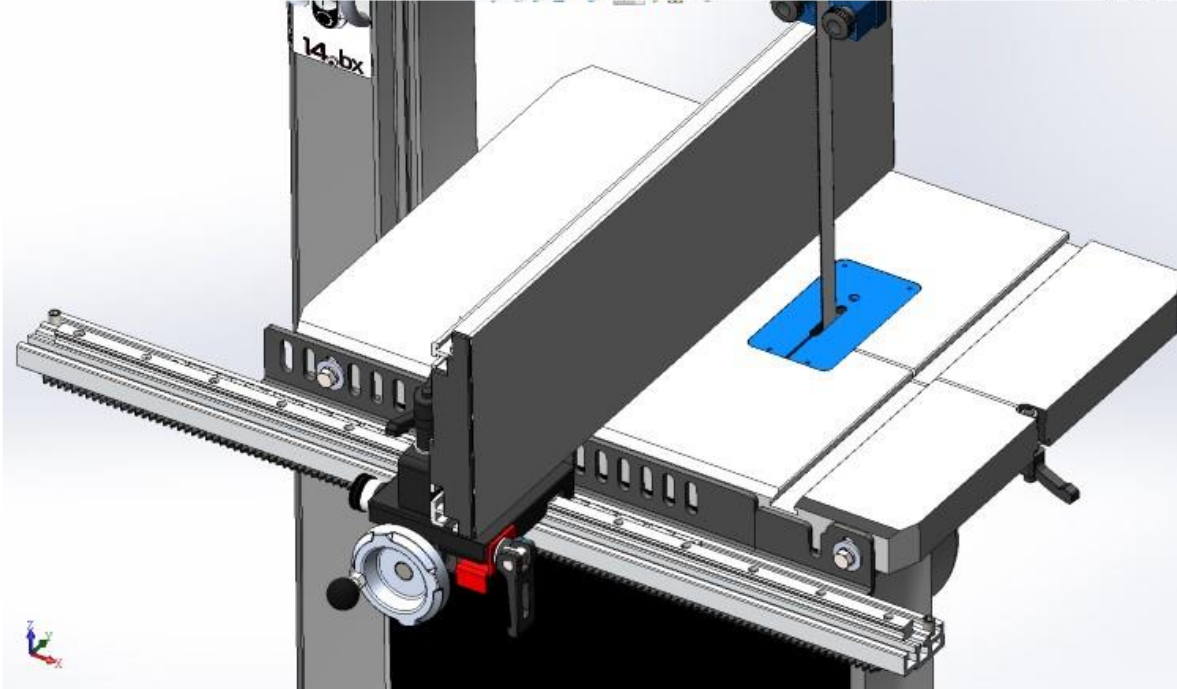


Bracket Assembly

Mounting Options:

There are several possible mounting positions for the brackets and fence, depending on the model of saw and desired fence location. Below are two of the most common examples of possible mounting scenarios. Mounting locations other than those shown below are possible, depending on your specific circumstances.

NOTE: Do not place fence mounting bracket over blade changing slot in table.



Bracket

Assembly:

The two mounting brackets can be attached as shown in either of the two previous pictures or in other configurations that best facilitate your specific saw and conditions.

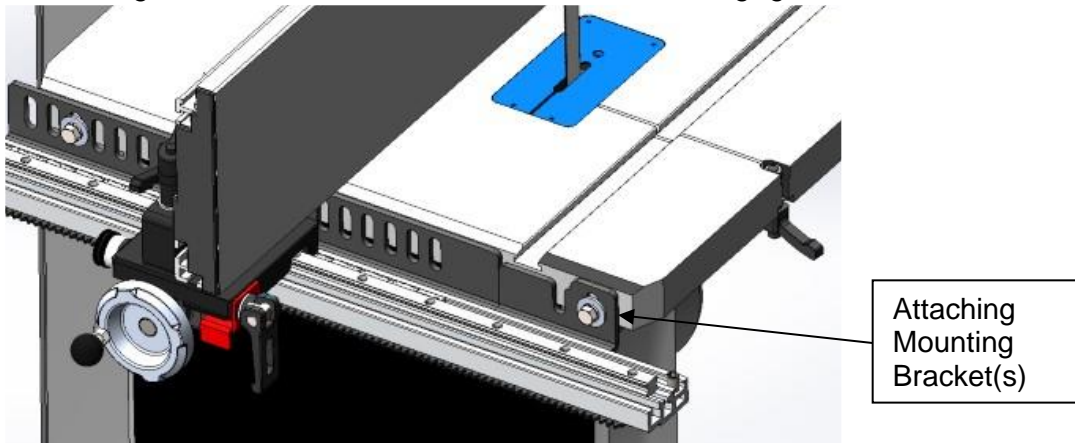
NOTE: If the longer bracket fully spans the table of your saw, it can be attached without use of the shorter bracket.

NOTE: If your saw does not have mounting holes on the side of the table, holes can typically be drilled to align with the openings in the mounting brackets.

NOTE: Bracket mounting hardware is included for many band saws, but it may not be the correct hardware depending on your saw configuration and may need to be sourced locally.

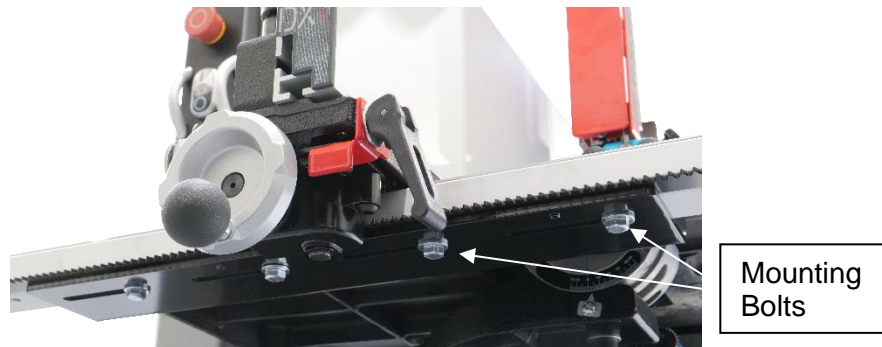
1. Attach the brackets to the infeed side of the band saw table, finger tighten. Use two bolts through the Bracket(s). Do not fully tighten the mounting bolts, at this time.

NOTE: Make sure the mounting brackets do not cover the slot in the table for changing blades.



2. Make sure the brackets are aligned and flush with each other, parallel to the table top and approximately 2-1/8" below the top of the table. Tighten the bolts securing the brackets to the side of the saw table.

3. Attach the Fence Assembly Rail to the mounting brackets using four or five bolts (one bracket or two brackets) and washers, from underneath. Make sure the rail is parallel to the edge of the table top and tighten the four bolts.



4. Assemble the Reference Stop as shown below. Install the Reference Stop by sliding it into the second channel. It can be used on either the right or left side of the fence. Tighten in place when utilizing it as a reference for repeated cut dimensions.

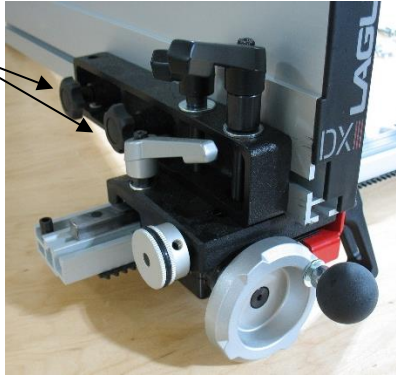


Adjustments

Fence Adjustments:

The fence can be adjusted front-to-back by loosening the two Fence-Lock knobs on the left side of the fence and sliding the fence to the desired position.

Fence-Lock
Knobs



Fence installed
High position

The fence can be repositioned to the “lower” height by loosening the two Fence-Lock knobs, sliding the fence off and re-installing the fence at 90 degrees.

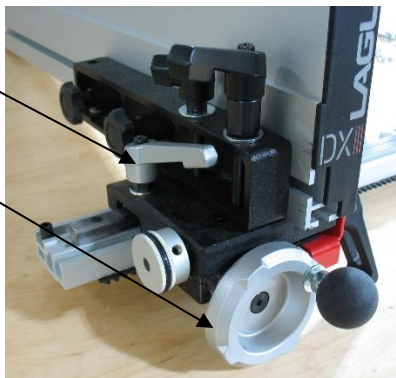


Fence installed
Low position

The fence can be moved right-to-left using the Handwheel. Loosen the Travel Lock and rotate the Handwheel to position the fence. Lock the Travel Lock. One revolution of the Handwheel equals $\frac{1}{4}$ ” fence travel.

Travel Lock

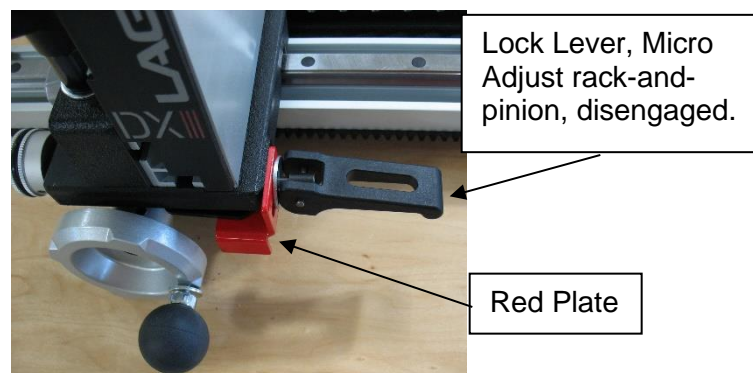
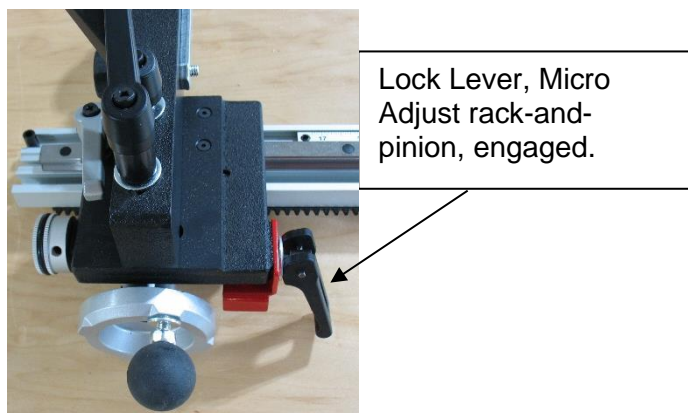
Handwheel



The fence can also be moved quickly from right-to-left, by disengaging the rack-and-pinion engagement, (by lifting the Lock Lever (straight-out), pulling out the **Red Plate** and sliding the fence).

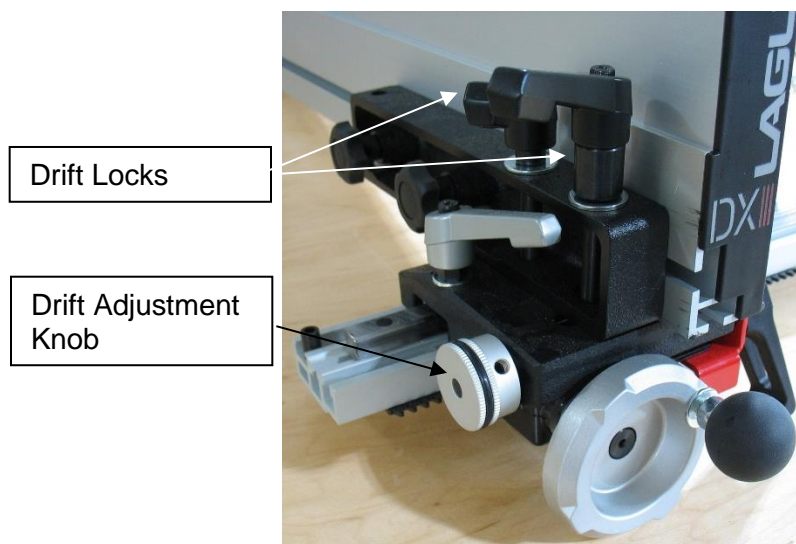
IMPORTANT! Always engage the Lever Lock, with Red Plate seated, when using the fence.

To re-engage the Micro-Adjustment, make sure the integrated spring has pulled the **Red Plate** into position and press down on the Lock Lever.



Drift Adjustment:

The fence can be adjusted for blade-drift by adjusting the fence parallel to the drifting of the band saw blade. To adjust the fence, loosen the two Drift Locks on the left side of the fence assembly. Rotate the drift Adjustment Knob, clockwise or counterclockwise to adjust the fence parallel to the blade drift and lock the two Drift Locks.



HINT: A method to adjust the fence for blade drift; Use a sample piece of wood with a straight edge along one side. Draw a pencil mark along the length of the stock, parallel to the straight edge several inches from the left edge. Position the stock with the straight edge against the fence and align the stock with the pencil mark to the saw blade. Cut the stock. When completed note the cut edge of the stock compared to the pencil line. If the cut does not exactly follow the cut line, adjust the Driftmaster fence and continue testing (by drawing a new parallel line on the stock and cutting and adjusting the fence) until the test cut parallels the pencil mark.

Ruler Adjustment:

After the desired bandsaw blade has been installed and properly tensioned and the fence has been adjusted for blade drift, move the fence close to the blade. Using a ruler, measure the distance between the blade and the fence.

Slide the Ruler to the same measurement as taken from the blade to fence. Tighten the two set screws, one on each side of the Ruler, to hold the Ruler in place. Be careful not to over tighten the set screws.



IMPORTANT NOTE!

Do not attempt to remove the fence assembly from the rail assembly! Do not lift the fence assembly and do not slide the fence assembly from the rail. Damage to linear guide system will occur. **The fence and rail must always remain as one unit and not separated.**

Removal of the fence and rail assembly can be safely accomplished by removing the bolts securing the rail to the mounting bracket(s) and removing the entire fence and rail assembly. Or by removing the bolts securing the mounting brackets to the saw.

Operation

Align the fence with the desired distance between the saw blade and the edge of the fence. Make sure the Lever Lock is tight (down) and lock the fence in place. Make the cut following the cutting instructions and warnings associated with your band saw.

Maintenance

⚠ WARNING! Never perform and setup, maintenance or adjustments with the machine connected to the power source!

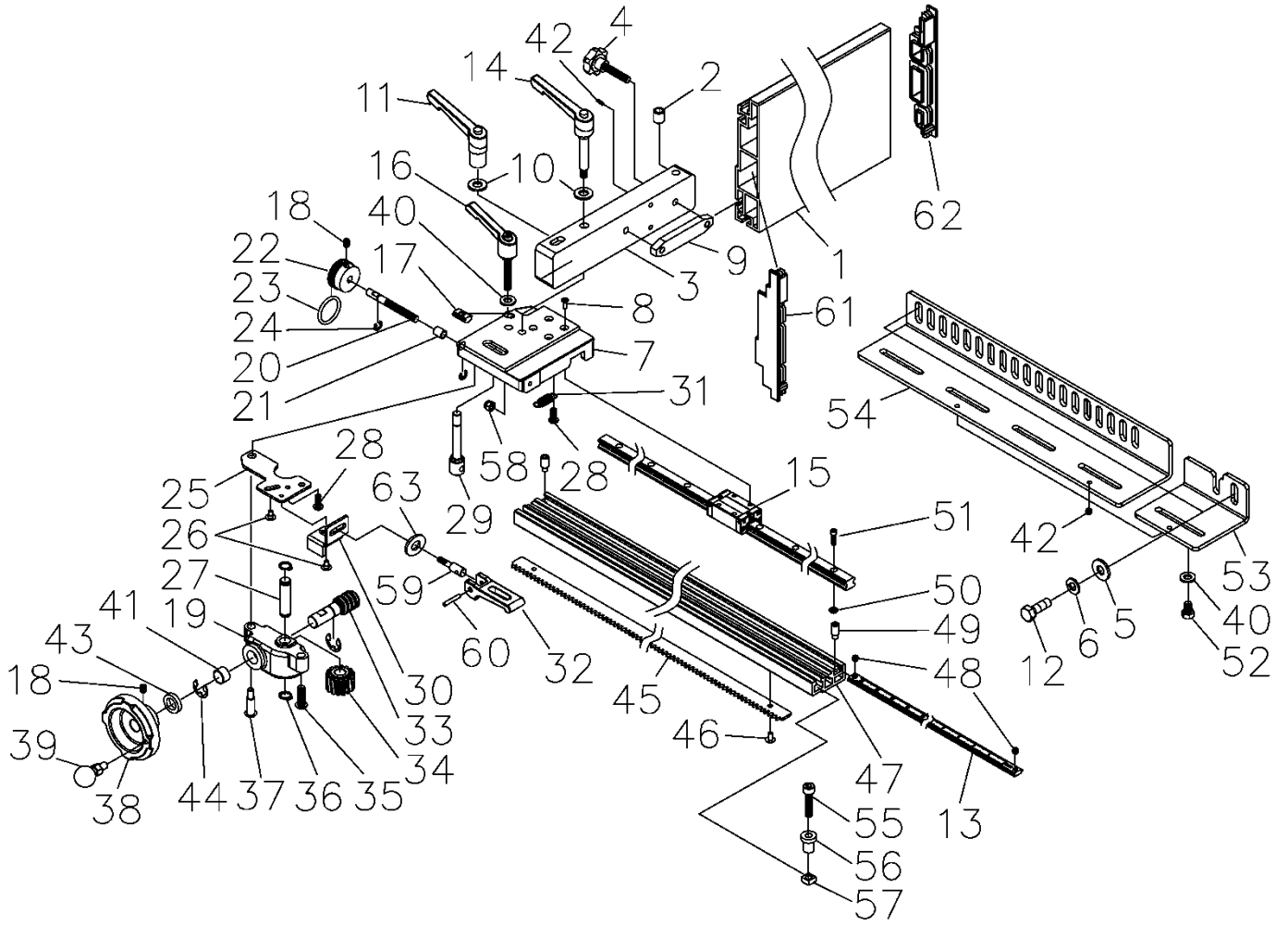
⚠ WARNING! If you have any doubt about the described procedure, seek professional assistance. Do not attempt any procedure that you feel is unsafe, or that you do not have the physical capability of achieving.

⚠ WARNING! When removing banding, extreme caution must be used as the banding will spring when cut.

General

1. Keep your machine and fence clean. At the end of each day, clean the machine and fence. Wood contains moisture, and if sawdust or wood chips are not removed they will cause rust.
2. Apply a light grease to the adjusting screw for drift adjustment & fence tilt (#20) once per month.
3. Apply a light grease to the worm gear (#33 & 34), which contacts the rack, once per month.
4. Periodically check that all nuts and bolts are tight.

Exploded View



Parts List

Index	Part Number	Description	Specification	Qty
1	PBAND18BX2203-3-1	Aluminum Fence		1
2	PBAND1412-175-3-2	Plastic Adjusting Screw		1
3	110363-3	Fence Body		1
4	110363-4	Lock Knob		2
5	110363-5	Flat Washer	5/16"	4
6	PBAND1412-175-2-13	Lock Washer	5/16"	4
7	110363-7	Fence Head		1
8	110363-8	Phillips Flat Head Screw	M4x12	4
9	PBAND1412-175-3-9	Lock Bar		1
10	PBAND1412-175-12	Flat Washer	3/8"	4
11	110363-11	Lock Handle		1
12	PBAND1412-175-4-40	Hex Cap Screw	5/16-18UNCx1"	2
13	110363-13	Scale		1
14	110363-14	Lock Handle		1
15	110363-15	Linear Guide		1
16	110363-16	Lock Handle		1
17	110363-17	T-block		1
18	PBAND1412-175-43	Set Screw	1/4-20UNCx3/8"	2
19	110363-19	Gear Base		1
20	110363-20	Adjusting Screw		1
21	110363-21	Bushing		1
22	110363-22	Knob		1
23	PLAREVO1836-1143	O-Ring	P29	1
24	110363-24	E-Ring	E6	2
25	110363-25	Plate		1
26	110363-26	Special Bolt		2
27	PBAND1412-175-4-18	Shaft		1
28	110363-28	Socket Head Button Screw	1/4-20UNCx5/8"	2
29	110363-29	Shaft		1
30	110363-30	Fast Handle		1
31	110363-31	Spring		1
32	110363-32	Fast Lock Handle		1
33	110363-33	Worm		1
34	110363-34	Gear		1
35	110363-35	Socket Head Button Screw	5/16-18UNCx1"	1
36	PBAND1412-175-4-13	C-Ring	S12	2
37	110363-37	Special Bolt		1
38	PLAREVO1216-175	Handwheel		1
39	PLAREVO1836-181	Knob		1
40	PBAND1412-175-2-11	Flat Washer	5/16"	8
41	110363-41	Bushing		1
42	PBAND1412-175-3-42	Set Screw	1/4-20UNCx1/4"	5
43	110363-43	Spacer		1
44	110363-44	E-Ring	E12	2
45	110363-45	Rack		1

46	110363-46	Phillips Flat Head Screw	M4x6	4
47	110363-47	Rail		1
48	110363-48	Set Screw	1/4-20UNCx1/4"	2
49	110363-49	Stop Bolt		2
50	110363-50	Square Nut	M4	13
51	110363-51	Socket Head Cap Screw	M4x16	13
52	110363-52	Hex Cap Screw	5/16-18UNCx1/2"	5
53	110363-53	Bracket-B		1
54	110363-54	Bracket-A		1
55	110363-55	Socket Head Cap Screw	M8x35	1
56	110363-56	Stop Bushing		1
57	110363-57	Square Nut	M8	1
58	110363-58	Nylon Inserted Lock Nut	M6	1
59	110363-59	Shaft		1
60	110363-60	Pin	D4x26	1
61	110363-61	End Cap-Front		1
62	110363-62	End Cap-Rear		1
63	110363-63	Flat Washer	M6	3
64	110363-64	Hex Cap Screw (not shown)	M8x30	2
65	110363-65	Hex Cap Screw (not shown)	M10x35	2
66	PBAND1412-175-42	Lock Washer (not shown)	1/4"	2
67	110363-67	Hex Cap Screw (not shown)	M6x25	2
68	PBAND1412-175-2-43	Lock Washer (not shown)	3/8"	2
69	PBAND1412-175-2-42	Flat Washer (not shown)	3/8"	2
70	110363-70	Hex Nut (not shown)	M8	2
71	110363-71	Hex Nut (not shown)	M10	2

Parts

⚠ WARNING! Never perform and setup, maintenance or adjustments with the machine connected to the power source!

TECH TIP Only use authentic Laguna Tools parts for replacements.

Customer Support: (800)-332-4049

or

customerservice@lagunatools.com

LAGUNA[®]

Laguna Tools 744 Refuge Way, Suite 200
Grand Prairie TX 75050
800-234-1976

www.lagunatools.com

Service: +1 (800) 332-4049 or email
customerservice@lagunatools.com
091923