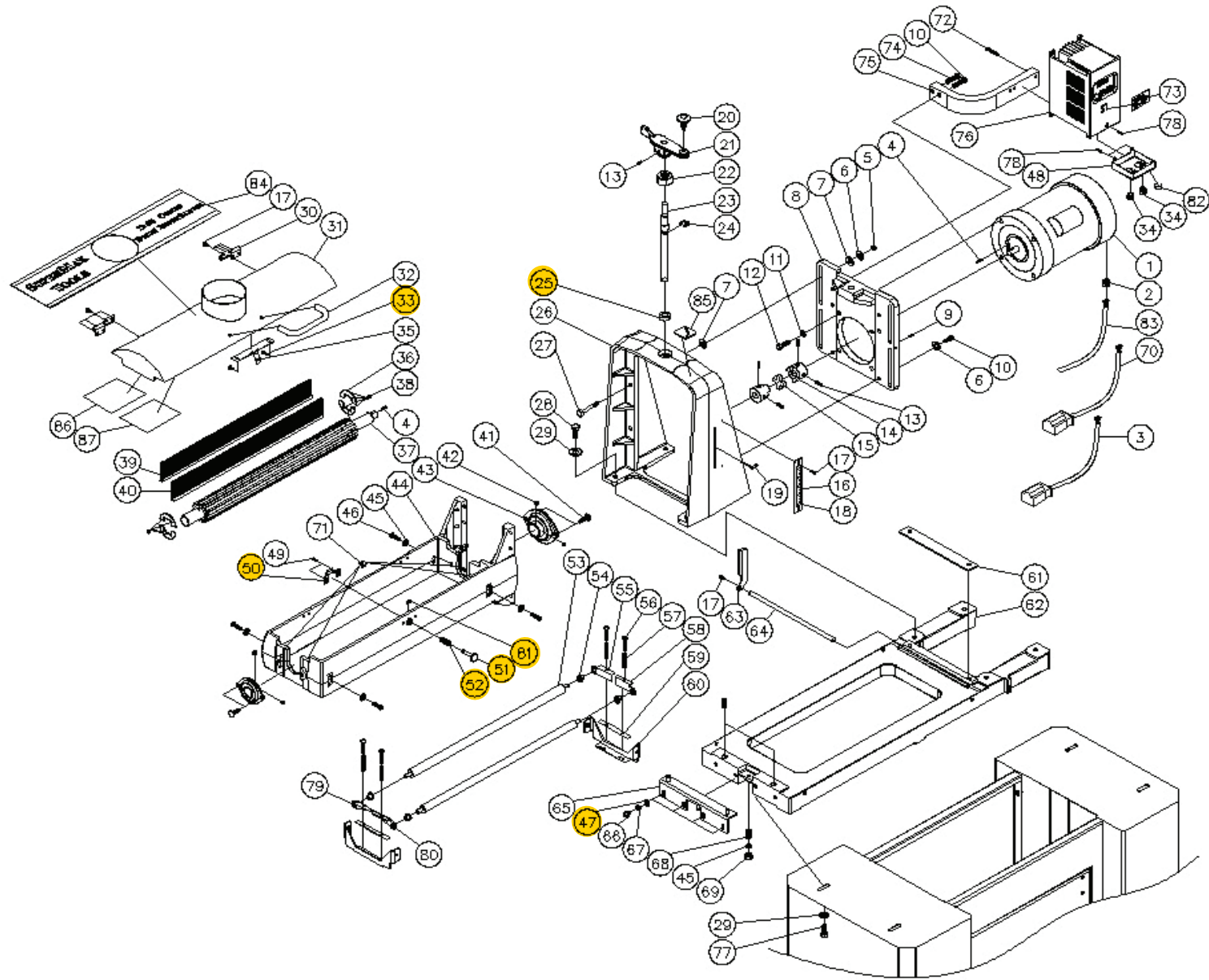


# 19-38 Combo Sander Conveyor and Motor Assembly



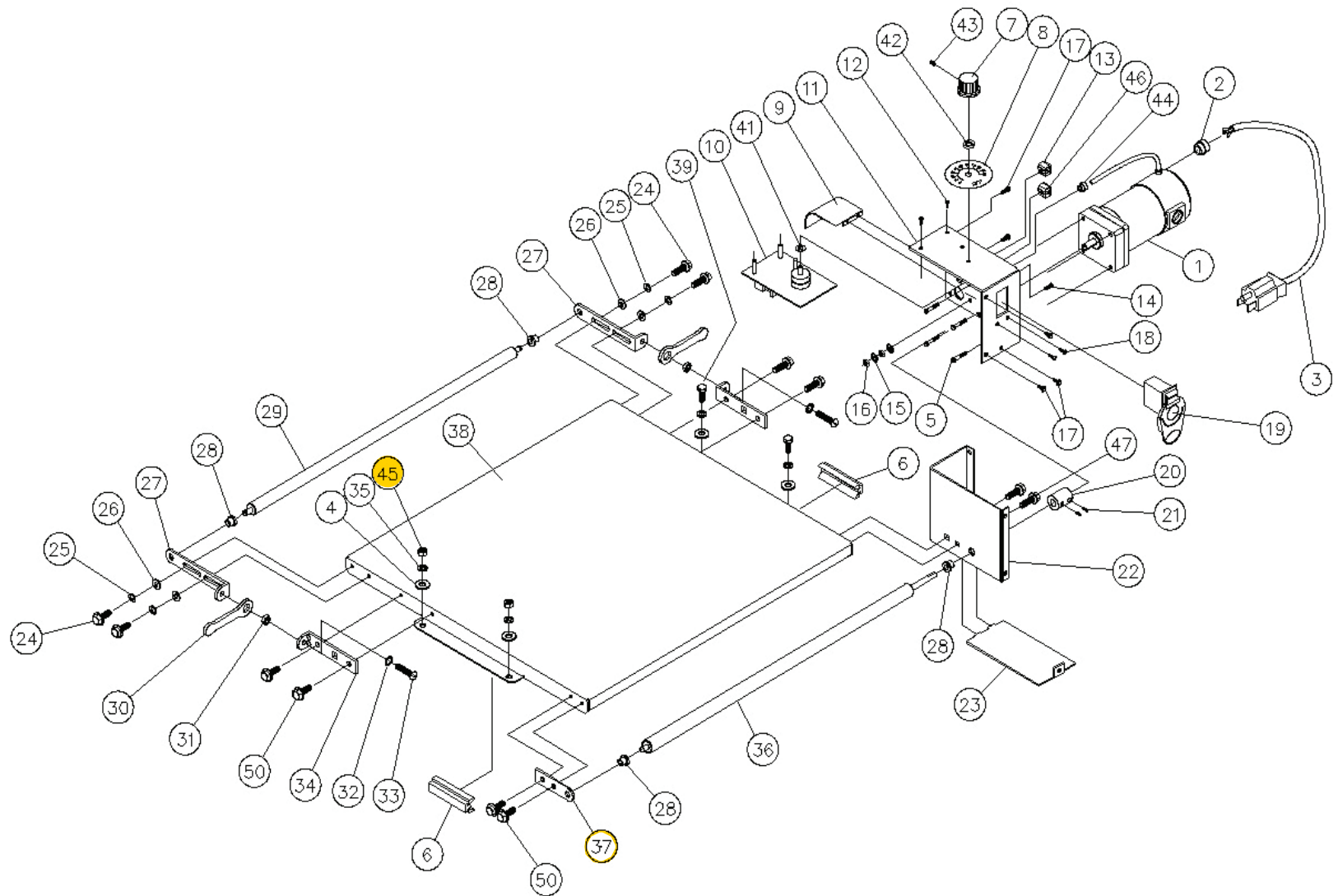
## Part List: Conveyor and Motor Assembly

Index	Part			
No.	No.	Description	Size	Qty.
1	480BS-201	Gear Motor	90 VDC	1
2	480BS-202	Strain Relief, Power Cord	6P3-4	1
3	480BS-203	Power Cord		1
4	480BS-147	Flat Washer	5/16"	4
5	480BS-205	Socket Head Cap Screw	#10-32x1/2"	4
6	480BS-206	Tracker Kit (optional)		2
7	480BS-207	Knob		1
8	480BS-208	Speed Adjustment Label		1
9	480BS-209	Wiring Guard		1
10	480BS-210	Controller		1
11	480BS-211	Control Housing Bracket		1
12	480BS-212	Pan Head Self-Tapping Screw	5/32"x1/2"	2
13	480BS-213	Receptacle, Main Cord		1
14	480BS-214	Pan Head Machine Screw	#10-32x1/2"	1
15	480BS-215	Washer, Lock-Int. Tooth	#10	2
16	480BS-216	Hex Nut	#10-32	2
17	480BS-217	Screw, Hex Head-Slotted	#10-32x3/8"	5
18	480BS-218	Screw, Phil Pan Head	#6-32x1/2"	2
19	480BS-219	Switch, ON/OFF		1
20	480BS-220	Coupler, Shaft		1
21	480BS-113	Set Screw	1/4"-20x1/4"	2
22	480BS-222	Bracket, Base- Controller		1
23	480BS-223	Cover, Base-Control Housing		1
24	480BS-224	Hex Cap Screw	1/4"-20x3/4"	4
25	480BS-225	Washer, Wave	1/4"	4
26	480BS-145	Flat Washer	1/4"	4
27	480BS-227	Bracket, Take Up-Slide		2
28	480BS-154	Bushing, Oilite		4
29	480BS-229	Roller, Driven		1
30	480BS-230	Wrench		2
31	480BS-231	Hex Nut	1/4"-20	2
32	480BS-232	Washer, Lock-Int. Tooth	1/4"	2
33	480BS-233	Screw, Round Head- Slotted	1/4"-20x1-3/4"	2
34	480BS-234	Bracket, Take Up-Base		2
35	480BS-167	Lock Washer	5/16"	4
36	480BS-236	Roller, Drive		1
37	480BS-237	Bracket, Support-Drive Roller		1
38	480BS-238	Bed, Conveyor		1
39	480BS-239	Hex Cap Screw	5/16"-18x3/4"	2
40	480BS-240	Belt Conveyor, Rubber (Not Shown)		1
41	480BS-241	Flat Washer		1
42	480BS-242	Hex Nut	5/16"-24	1
43	480BS-243	Slotted Set Screw	#8-36UNFx5/16"	1
44	480BS-244	Strain Relief, Gear Motor	6N-4	1
45	480BS-245	Hex Nut	5/16"-18	2
46	480BS-246	Receptacle, Signal Cord		1
47	480BS-247	Hex Cap Screw	1/4"-20x1/2"	8

---

49	480BS-149	Hex Cap Screw w/ Washer	#10-24x3/8"	2
50	480BS-150	Dust Cover Catch		1
51	480BS-151	Stud		1
52	480BS-152	Spring		1
53	480BS-153	Tension Roller		2
54	480BS-154	Bushing, Oilite		4
55	480BS-155	Tension Roller Bracket, Inner Left		1
56	480BS-156	Screw	#8-32x1"	4
57	480BS-157	Spring, Tension Roller		4
58	480BS-158	Tension Roller Bracket, Inner Right		1
59	480BS-159	Pad, Bracket-Tension Roller		2
60	480BS-160	Bracket		2
61	480BS-161	Plate		1
62	480BS-162	Base		1
63	480BS-163	Adjusting Lever		1
64	480BS-164	Adjusting Rod		1
65	480BS-165	Height Adjusting Plate		1
66	480BS-166	Round Socket Head Cap Screw	5/16"-18x1/2"	4
67	480BS-167	Lock Washer	5/16"	4
68	480BS-168	Spring		3
69	480BS-169	Nylon Insert Lock Nut	1/4"-20	1
70	480BS-170	Signal Cord, Interfer to Control Box		1
71	480BS-171	Hex Nut w/ Washer	M8x1.25	4
72	480BS-172	Hex Cap Screw	M5x30	2
73	480BS-173	RPM Speed Label		1
74	480BS-174	Hex Cap Screw	5/16"-18x1-1/2"	1
75	480BS-175	Mounting Bracket		1
76	480BS-176	Inverter		1
77	480BS-177	Hex Cap Screw		1
78	480BS-178	Screw	M3x10	3
79	480BS-179	Tension Roller Bracket, Outer Right		1
80	480BS-180	Tension Roller Bracket, Outer Left		1
81	480BS-181	E-Ring	E5	1
82	480BS-182	Strain Relief, Signal Cord	HP-19	1
83	480BS-183	Motor Cord, Motor to Inverter		1
84	480BS-184	Label		1
85	480BS-185	Height Direction Label		1
86	480BS-186	Maintenance Label		1
87	480BS-187	Warning Label		1

# 19-38 Combo Sander Drum Head Assembly



## Part List: Drum Head Assembly

Index No.	Part No.	Description	Size	Qty.
1	480BS-101	Motor		1
	480BS-101MF	Motor Fan (not shown)		1
	480BS-101MFC	Motor Fan Cover (not shown)		1
	480BS-101JB	Junction Box (not shown)		1
	480BS-101JBC	Junction Box Cover (not shown)		1
2	480BS-102	Strain Relief, motor	7P-2	1
3	480BS-103	Main Cord, Inverter to Control Box		1
4	480BS-104	Key	3/16"SQx3/4"	2
5	480BS-105	Nylon Insert Lock Nut	5/16"-24UNF	4
6	480BS-106	Flat Washer	5/16"	9
7	480BS-107	Oilite Washer		8
8	480BS-108	Motor Slide Plate		1
9	480BS-109	Set Screw	#8-32x1/4"	1
10	480BS-110	Hex Cap Screw	5/16"-18x1-1/4"	6
11	480BS-111	Lock Washer	3/8"	4
12	480BS-112	Socket Head Cap Screw	3/8"-16x1-1/4"	4
13	480BS-113	Set Screw	1/4"-20x1/4"	5
14	480BS-114	Coupling		2
15	480BS-115	Coupling Spider		1
16	480BS-116	Height Plate, Depth Gauge		1
17	480BS-117	Screw	M4x0.7x6	11
18	480BS-118	Label, Depth Gauge (inch)		1
19	480BS-119	Depth Gauge Pointer		1
20	480BS-120	Knob		1
21	480BS-121	Height Adjustment Handle		1
22	480BS-122	Nylon Insert Lock Nut	5/8"-11	1
23	480BS-123	Height Adjustment Screw		1
24	480BS-124	E-Ring	E12	1
25	480BS-125	Thrust Bearing	51103	1
26	480BS-126	Shroud		1
27	480BS-127	Stud		4
28	480BS-128	Hex Cap Screw	3/8"-16x1-1/4"	4
29	480BS-129	Flat Washer	3/8"	8
30	480BS-130	Hinge		2
31	480BS-131	Dust Cover		1
32	480BS-132	Handle		1
33	480BS-133	Pan Head Machine Screw	#8x1/2"	2
34	480BS-134	Strain Relief, inverter	7N-2	2
35	480BS-135	Dust Cover Latch		1
36	480BS-136	End Cover		4
37	480BS-137	Flatter Head		1
38	480BS-138	Screw	M4x0.7x6	8
39	480BS-139	180 Grit Abrasive Strip	7mm Wide	6
40	480BS-140	180 Grit Arbasive Strip	4mm Wide	6
41	480BS-141	Carriage Bolt	M8x1.25x30	4
42	480BS-142	Set Screw	1/4"-28UNFx1/4"	4
43	480BS-143	Bearing Set		2
44	480BS-144	Drum Carriage		1
45	480BS-145	Flat Washer	1/4"	5
46	480BS-146	Round Socket Head Cap Screw	1/4"-20x1"	4
47	480BS-147	Flat Washer	5/16"	4
48	480BS-148	Junction Box		1