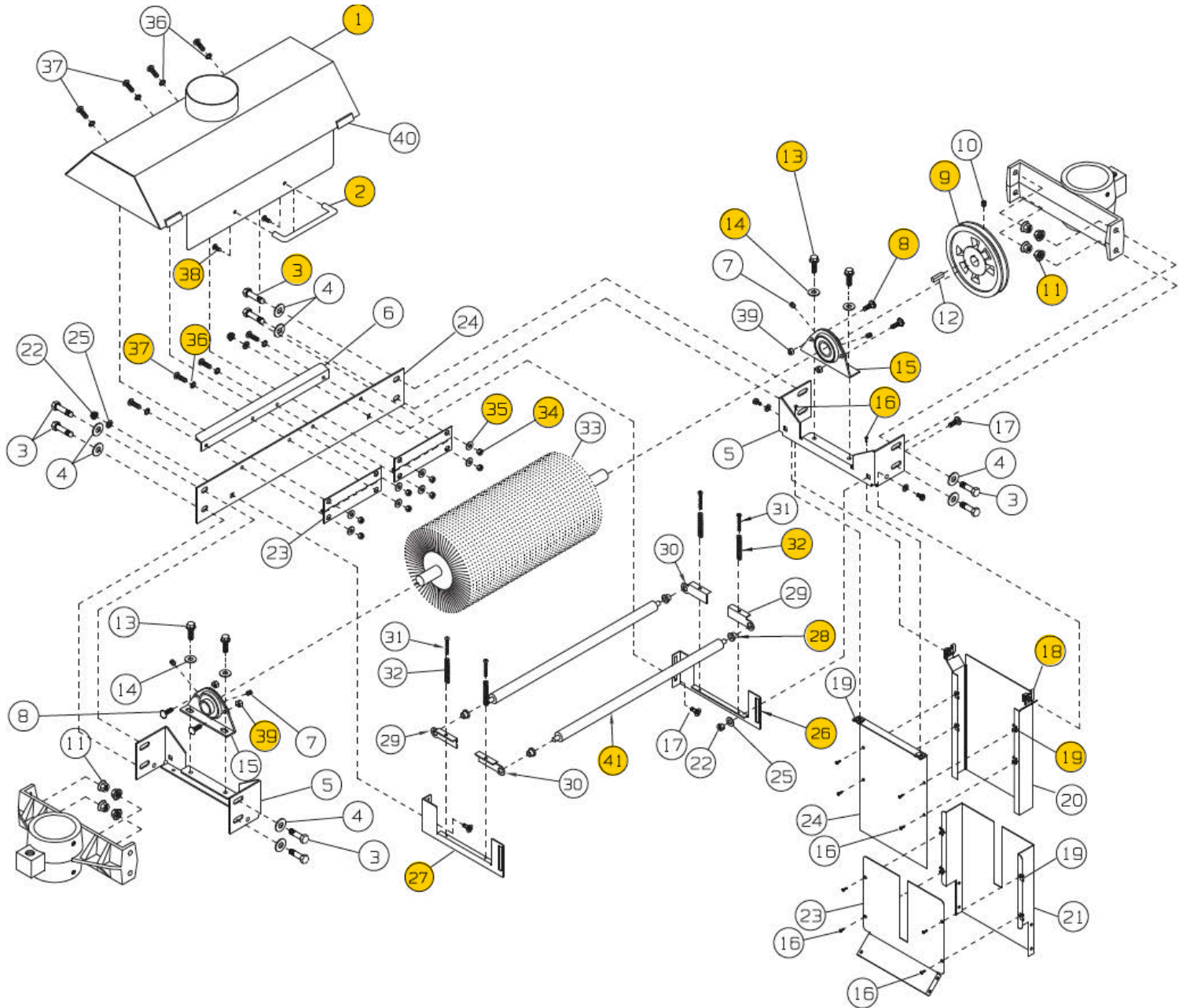
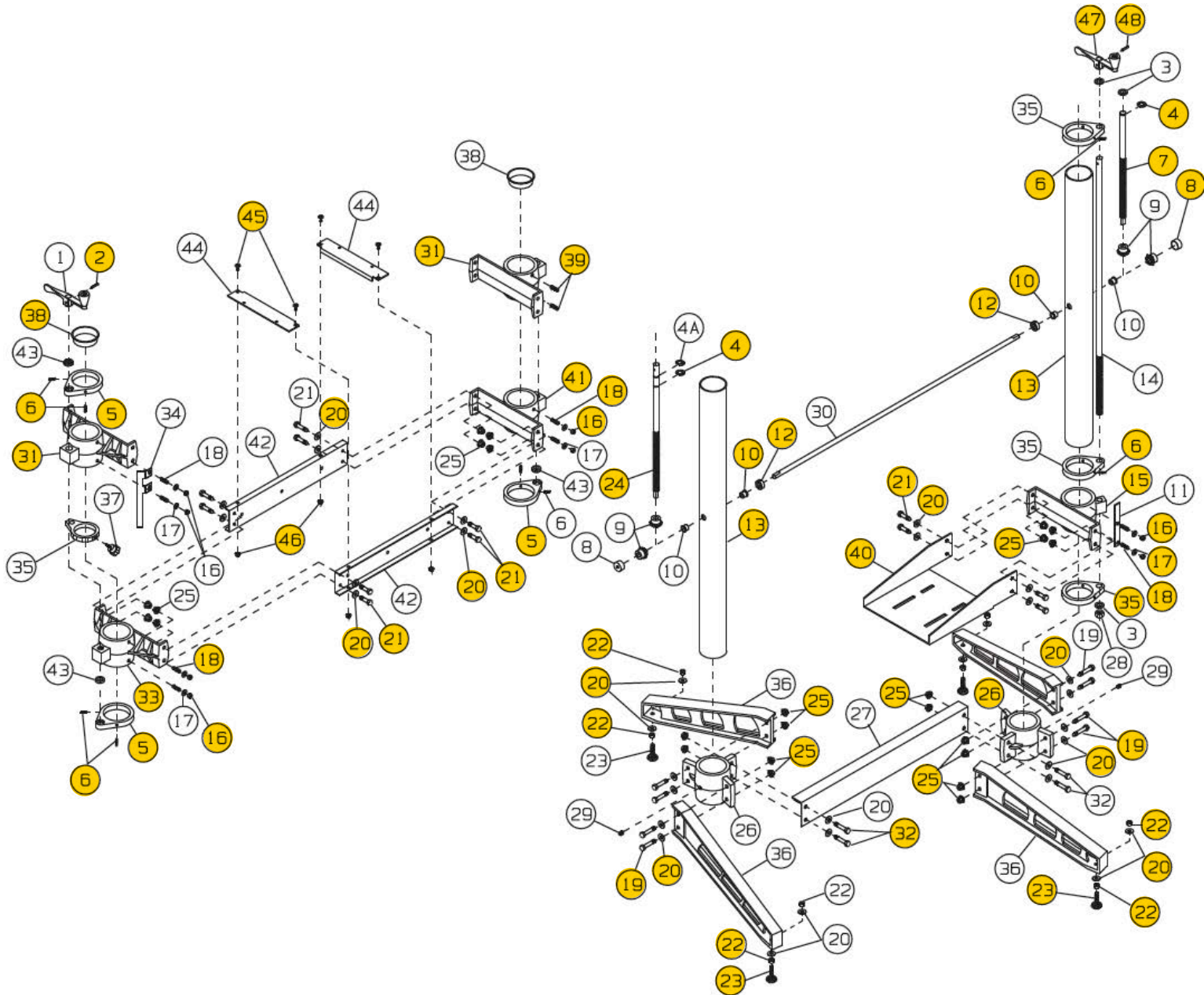


Ref. No.	Description	Part No.	Qty.
1	Gear Motor	71-1301	1
2	Strain Relief, large	72-6014	1
3	Cord Set	72-5336	1
4	Bracket, Control Housing	40-4017	1
5	Socket Head Cap Screw	10-2404	4
6	Strain Relief, small	72-6101	1
7	Controller, variable speed	72-1255	1
8	Switch, on/off, drum	72-2004	1
9	Receptacle, 110 Volt	72-2120	1
10	Wiring Guard	40-4018	1
11	Bracket, Controller Base	40-4018	1
12	Coupler, shaft	30-0122	1
13	Socket Head Set Screw	10-2702	2
14	Bushing	50-3105	4
16	Cover, control housing base	40-4022	1
17	Hex Head Slotted Screw	10-9002	5
18	Conveyor Bed	40-4010	1
19	Drive Roller, rubber covered	30-3050-01	1
20	Driven Roller	30-3010-01	1
21	Bracket, base take-up	40-0004	2
22	Bolt, Hex Head Washer	10-9010	12
23	Screw, slotted round head	10-3213	2
24	Lock Washer, internal tooth	11-0504	2
25	Hex Nut	12-0001	2
26	Wrench	40-0260	2
27	Bracket, take-up slide	40-0030	2
28	Wave washer	20-1161	4
29	Flat washer	11-0205	4
30	Bracket, drive roller support	40-0005	1
31	Bolt, hex washer head	10-9106	4
32	Conveyor Belt (not shown)	60-0316R	1
38	V-Belt	50-2031	1
39	Strain relief	72-6014	1
41	Cord set	72-5338	1
42	Set screw	10-8902	1
43	Key	20-0762	1
44	Pulley, variable speed	50-0705	1
45	Nut, hex	12-0001	2
46	Lock washer, internal tooth	11-0504	2
47	Spacer	30-1308	2
48	Bolt, Hex Head	10-3213	2
49	Washer, flat	11-0205	2
50	Nut, flange lock washer	12-0207	4
51	Guard, pulley, lower-inner	40-0017	1
52	Washer	11-0104	2
53	Nut, retaining	20-1157	4
54	Motor, 1-¾ HP, 110-120 Volt	71-0152	1



Ref. No.	Description	Part No.	Qty.
1	Dust Cover	40-0014	1
2	Handle	80-2841	1
3	Bolt, hex head	10-9205	8
4	Washer, flat	11-0206	8
5	Bracket, bearing mount	40-0630	2
6	Stop, dust cover	40-0040	1
7	Set screw	10-8602	4
8	Bolt, carriage	10-1203	4
9	Pulley, brush	50-0701	1
10	Set screw	10-8903	1
11	Nut, flange lock	12-0209	8
12	Key	20-0764	1
13	Bolt, hex head	10-9205	4
14	Washer	11-0206	4
15	Bearing assembly	50-3086	2
16	Screw	10-3803	16
17	Carriage Bolt	10-9101	2
18	Retaining nut	20-1172	2
19	Retaining nut	20-1155	16
20	Guard, upper outer belt	40-0020	1
21	Guard, lower outer belt	40-0018	1
22	Nut	12-0401	
23	Guard, lower inner	40-0017	1
24	Guard, upper inner belt	40-0016	1
25	Washer	11-9104	4
26	Bracket, main tension roller RH	40-0340	1
27	Bracket, main tension roller LH	40-0341	1
28	Bushing	50-3105	4
29	Bracket, support, tension roller RH	40-0302	2
30	Bracket, support, tension roller LH	40-0303	2
31	Screw	10-3109	4
32	Spring coil	20-3284	4
33	Brush head or drum (varies)	60-xxxx	1
34	Nut, hex	12-0001	8
35	Washer, flat	11-0205	10
36	Washer, lock	11-0504	10
37	Bolt, Slotted head	10-3205	8
38	Screw, Hex head	10-3904	2
39	Nut, flange lock washer	12-0207	4
40	Bumper	80-1035	2
41	Roller, Tension	30-1225	2



Ref. No.	Description	Part No.	Qty.
1	Handle, height adjustment	31-0030	1
2	Set screw	10-2903	1
3	Washer, bronze	50-3080	2
4	Clip, retaining, large	20-0752	2
4A	Clip, retaining, small	20-0750	1
5	Support, adjusting screw w/BB	30-1112-0	3
6	Set screw	10-2804	14
7	Screw, inboard height adj, follow	30-1251	1
8	Cap	80-4013	2
9	Miter gear	20-1101	4
10	Bushing	50-3107	4
11	Gauge, RPM, assembly	41-0670	1
12	Collar	20-1103	2
13	Column Tube	30-1236	2
14	Screw, RPM	30-1220	1
15	Support, motor casting	30-5103	1
16	Nut, hex	12-0003	6
17	Washer, flat	11-0206	6
18	Set screw, brass tipped	10-9906	6
19	Bolt, Hex head	10-9207	8
20	Washer, flat	11-9103	32
21	Bolt, hex head	10-9205	12
22	Nut, hex head	12-0005	8
23	Leveling foot	20-0655	4
24	Screw, height adj. (RH threads)	30-1252	1
25	Nut, flange lock	12-0209	24
26	Column base casting	30-1101	2
27	Bracket, base support	40-0130	1
28	Nut, Heavy lock hex	12-8015	1
29	Set screw, pointed	10-8905	2
30	Transfer rod	30-3033-06	1
31	Support casting brush head	30-5106	2
32	Bolt, hex head	10-9206	4
33	Support casting table (RH thread)	30-5104	1
34	Depth Gauge	41-0131	1
35	Support, adj screw, elongated	30-1112	4
36	Leg	30-1102	4
37	Knob w/set screw	81-3132	1
38	Cap, column tube	80-4015	2
39	Set screw	10-2903	4
40	Bracket, motor mount	40-0106	1
41	Support casting table (LH thread)	30-5105	1
42	Bracket, table mounted	40-0112	2
43	Ball bearing	R8ZZ	3
44	Bracket, vert. bed support	40-0135	2
45	Bolt, carriage	10-1203	4
46	Nut	12-0207	4
47	Handle, RPM adj.	31-0020	1
48	Roll Pin	20-0772	1