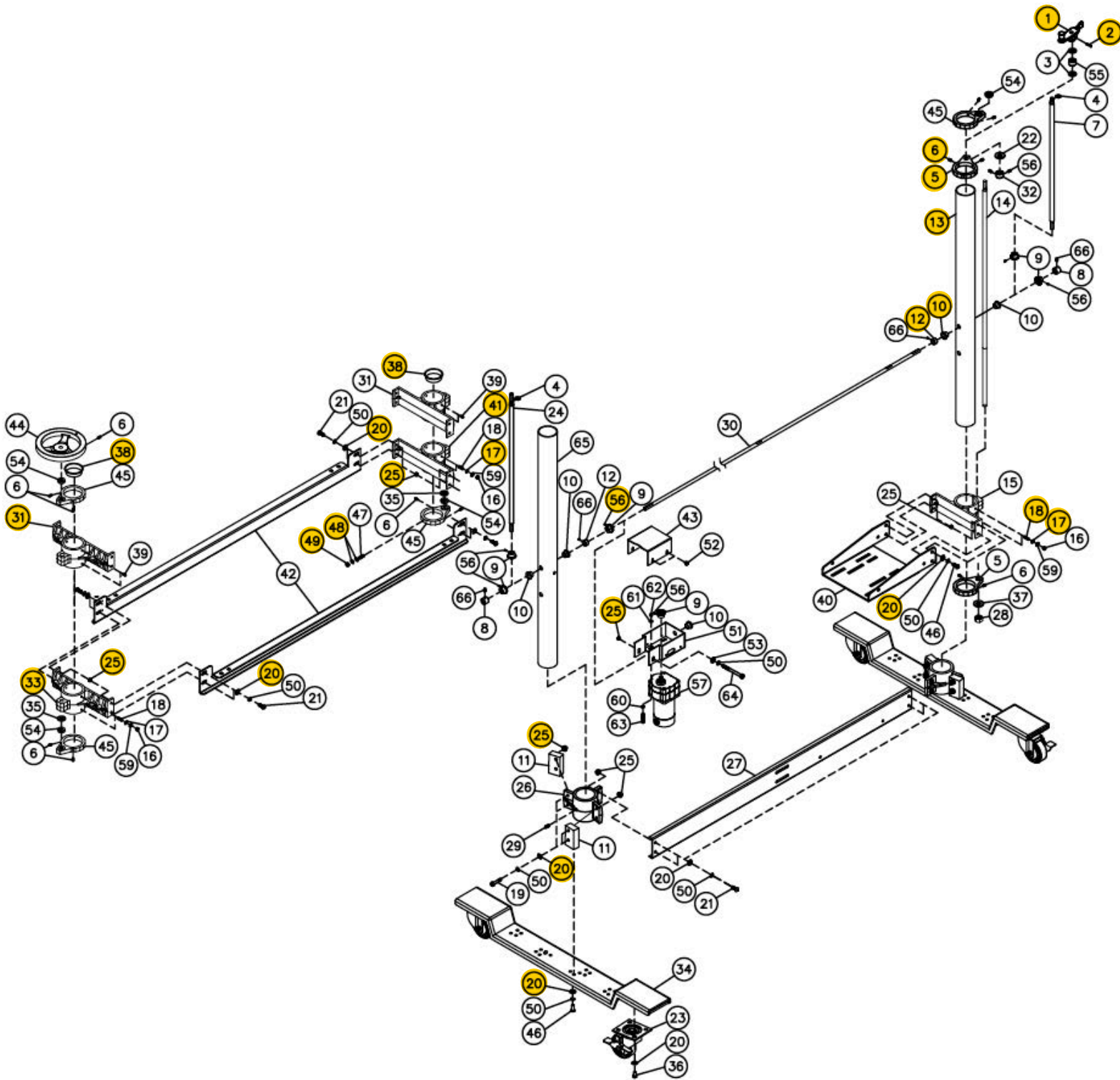


STAND ASSEMBLY

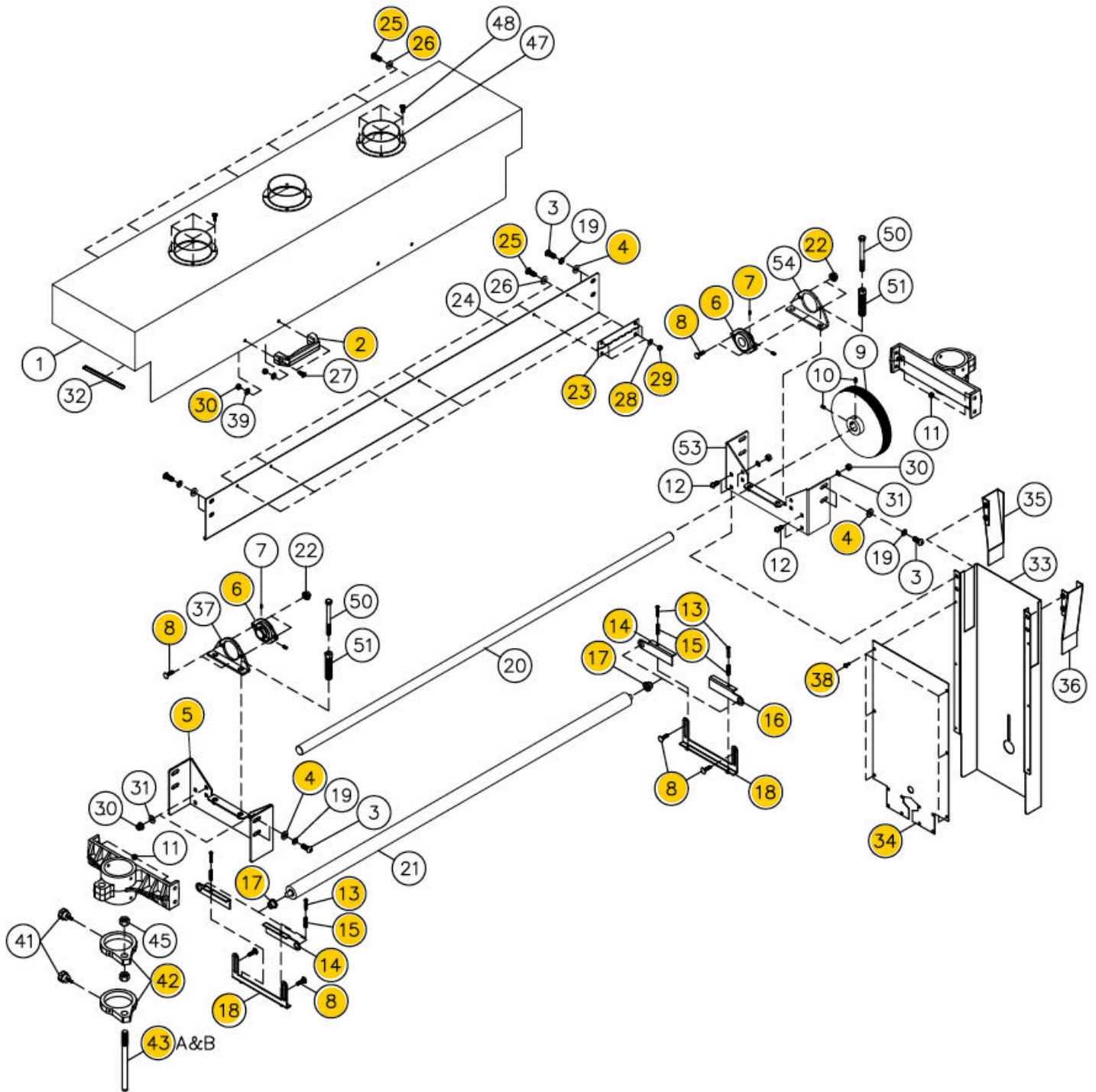


Stand Assembly Parts List

<u>Ref. No.</u>	<u>Part No.</u>	<u>Description</u>	<u>Size</u>	<u>Qty.</u>
1	31-0020	HANDLE, SWIVEL ASSY		1
2	20-0772	ROLL PIN	3/16"X1"	1
3	50-3080	OILITE WASHER	5/8" I.D.	2
4	635DS-139	E-RING	E-10	2
5	30-1112	SUPPORT, ADJUSTING SCREW		2
6	10-2804	SET SCREW	1/4"-20X1/2"	18
7	30-1240	SCREW, INBOARD HEIGHT ADJ. FOLLOW		1
8	93497-2-108	SPACER		2
9	20-1101-1	GEAR, MITER HEAVY DUTY		6
10	50-3107	OILITE ROUND BUSHING	1/2" I.D.	5
11	93497-2-111	SUPPORT BLOCK		4
12	20-1103	SHAFT COLLAR	1/2" I.D.	2
13	30-3044	TUBE, COLUMN		1
14	30-1209B	SCREW, RPM, MOTOR		1
15	30-5103	MOUNT, MOTOR		1
16	12-0003	HEX NUT	5/16"-18	6
17	11-0206	FLAT WASHER	5/16"X18X2t	6
18	10-9906	SET SCREW, BRASS TIPPED	5/16"-18X3/4"	6
19	93497-2-119	HEX CAP SCREW	3/8"-16x2-1/4"	8
20	11-9103	FLAT WASHER	3/8"X23X2t	48
21	913002-121	SOCKET HEAD BUTTON SCREW	3/8"-16X1-1/4"	12
22	80-2324	NYLON WASHER		1
23	93497-2-123	CASTER	4PUKB	4
24	30-1241	SCREW, OUTBOARD HEIGHT ADJ. MAIN		1
25	12-0209	FLANGE LOCK NUT	3/8"-16	25
26	30-1101-1	BASE, COLUMN		2
27	93497-2-127	BASE SUPPORT BRACKET		1
28	12-8015	NYLON INSERT LOCK NUT	5/8"-11	1
29	10-8905	SET SCREW	1/2"-13X1/2"	2
30	93497-2-130	ROD, TRANSFER		1
31	30-5206	SUPPORT BRUSH		2
32	20-1180-02	SPACER		1
33	30-5204	SUPPORT, OUTBOARD TABLE		1
34	93497-2-134	BASE		2
35	93267-2-135	WASHER, OILITE		2
36	93497-2-136	HEX CAP SCREW	3/8"-16X5/8"	16
37	91267-146	FLAT WASHER	5/8"X30X3t	1
38	80-4015	CAP, PLASTIC COLUMN TUBE		2
39	10-2903	SET SCREW	5/16"-18X3/8"	8
40	40-0106	MOTOR MOUNT		1
41	30-5205	SUPPORT, INBOARD TABLE		1
42	40-0049	BRACKET, TABLE MOUNT		2
43	93497-143	COVER		1
44	31-0027	HANDLE, SWIVEL, LARGE		1
45	30-1112-0	SUPPORT, ADJUSTING SCREW, W/BEARING		4
46	93497-2-146	SOCKET HEAD BUTTON SCREW	3/8"-16X1"	12
47	93267-2-147	SET SCREW, BRASS TIPPED	1/4"-20X1"	1
48	480BS-145	FLAT WASHER	1/4"X16X2t	2
49	12-0001	HEX NUT	1/4"-20	2
50	480BS-111	LOCK WASHER	3/8"	33
51	93497-151	SUPPORT BRACKET		1
52	93497-152	SCREW	1/4"-20X3/8"	4
53	93497-153	FLAT WASHER	D27xd10x3t	1

Ref. No.	Part No.	Description	Size	Qty.
54	BB-R8ZZ	BEARING	R8ZZ	4
55	93267-2-155	SPACER		1
56	10-8802	SET SCREW	5/16"-18X1/4"	14
57	93497-157	DC GEAR MOTOR	180VDC	1
59	480BS-167	LOCK WASHER	5/16"	6
60	635DS-343	FLAT WASHER	M6	4
61	93267-2-413	LOCK WASHER	M6	4
62	635DS-344	HEX NUT	M6X1.0	4
63	93267-2-409	SOCKET HEAD CAP SCREW	M6X1.0X80	4
64	91267-242	HEX CAP SCREW	3/8"-16X4"	1
65	93497-165	TUBE, COLUMN		1
66	93267-2-158	SET SCREW	1/4"-20X1/4"	4

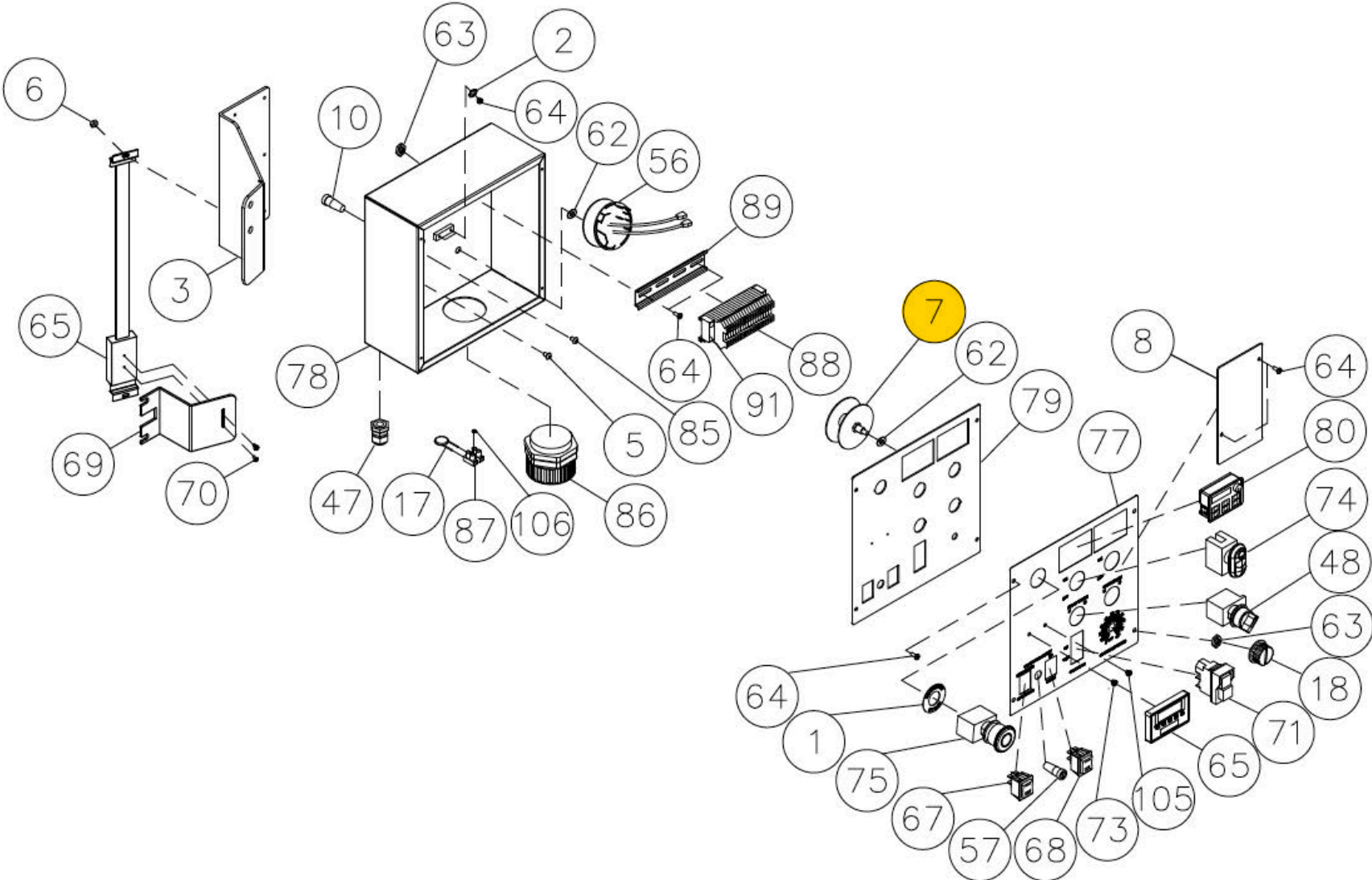
HEAD ASSEMBLY



Head Assembly Parts List

<u>Ref. No.</u>	<u>Part No.</u>	<u>Description</u>	<u>Size</u>	<u>Qty.</u>
1	40-3250	DUST COVER		1
2	80-2841	HANDLE, DUST COVER		2
3	913002-121	SOCKET HEAD BUTTON SCREW	3/8"-16X1-1/4"	8
4	11-0104	FLAT WASHER	3/8"X20X2t	8
5	40-0613	BRACKET, BEARING MOUNTING		1
6	50-3067	BEARING		2
7	10-8802	SET SCREW	1/4"-20X1/4"	4
8	10-1203	CARRIAGE BOLT	5/16"-18X3/4"	8
9	93497-2-209	PULLEY		1
10	10-8903	SET SCREW	5/16"-18X3/8"	2
11	12-0209	FLANGE LOCK NUT	3/8"-16	8
12	91267-212	SOCKET HEAD BUTTON SCREW	5/16"-18X3/8"	4
13	10-3213	SCREW	1/4"-20X1-3/4"	4
14	40-0323	BRACKET, LEFT SUSPENSION		2
15	20-3284	SPRING, TENSION ROLLER		4
16	40-0326	BRACKET, RIGHT SUSPENSION		2
17	50-3107	OILITE ROUND BUSHING	1/2" I.D.	4
18	40-0322	BRACKET, SUSPENSION BASE		2
19	480BS-111	LOCK WASHER	3/8"	8
20	93497-2-220	ROD		1
21	30-5218	ROLLER TENSION		2
22	12-0207	FLANGE LOCK NUT	5/16"-18	4
23	40-0225	HINGE		3
24	40-4048	BRACKET, DUST COVER MOUNTING		1
25	10-3205	SCREW	1/4"-20X1/2"	12
26	11-0504	INTERNAL TOOTH LOCK WASHER	1/4"	12
27	913022-203	SCREW	5/16"-18X5/8"	4
28	11-0205	FLAT WASHER	1/4"X16X2t	12
29	12-0001	HEX NUT	1/4"-20	12
30	12-0003	HEX NUT	5/16"-18	8
31	11-0505	INTERNAL TOOTH LOCK WASHER	5/16"	4
33	40-0009	GUARD, BELT COVER		1
34	40-0010	GUARD, BELT, PLATE		1
35	91267-235	GUARD, RIGHT BELT COVER		1
36	91267-236	GUARD, LEFT BELT COVER		1
37	93267-2-237	BEARING SET		1
38	10-3803	SLOTTED HEX HEAD SCREW	#10-24X3/8"	6
39	635DS-207	FLAT WASHER	5/16"	4
41	81-3132W	KNOB, LOCKING W/SET SCREW		2
42	30-1112	SUPPORT, ADJUSTING SCREW		2
43A	30-1260HR	DEPTH GAUGE ROD		1
43B	94-1654	DECAL, SCALE		1
45	925002-109	HEX NUT	1/2"-13	2
47	635DS-210	DUST PORT		3
48	635DS-135	SCREW	1/4"-20X3/8"	12
50	91267-242	HEX CAP SCREW	3/8"-16X4"	4
51	93267-2-251	ADJUSTMENT NUT		4
53	93497-2-253	BRACKET, BEARING MOUNTING		1
54	93497-2-254	BEARING SET		1

CONTROL PANEL ASSEMBLY (Incl. w/Conveyor Parts)



Conveyor Assembly Parts List, includes Control Box & VFD

<u>Ref. No.</u>	<u>Part No.</u>	<u>Description</u>	<u>Size</u>	<u>Qty.</u>
1	635DS-361	EMERGENCY STOP LABEL		1
2	93267-2-302	EXTERNAL TOOTH LOCK WASHER	M4	2
3	93497-2-303	CONTROL BOX SUPPORT BRACKET		1
4	93497-2-304	CONTACTOR		1
5	93267-2-305	SOCKET HEAD BUTTON SCREW	M5X0.8X8	5
6	93267-2-306	HEX NUT	M5X0.8	1
7	72-1260	CONTROLLER, 180 VDC, VARIABLE SPEED, CONVEYOR ...		1
8	93497-308	PLATE		1
9	93497-2-309	SCREW	5/16"-18X5/8"	2
10	93267-2-310	FUSE HOLDER		1
12	93497-2-312	DC GEAR MOTOR	180VDC	1
13	93497-2-313	STRAIN RELIEF	PG-21	2
14	93497-2-314	POLY-V BELT		1
15	93497-315	LOWER CONTROL BOX		1
16	93497-2-316	KEY	8x7x60	1
17	93267-2-317	ZINC OXIDE VARISTOR		1
18	72-6106-01A	KNOB		1
19	93497-2-319	PULLEY, DRIVE		1
20	20-0763	KEY	3/16"X3/16"X3/4"	1
21	93267-2-321	KEY	3/16"x3/16"x1-1/4"	1
22	40-1000	LOWER, INNER BELT GUARD		1
23	93267-2-323	FLAT WASHER	5/16"X18X2t	2
24	12-0207	FLANGE LOCK NUT	5/16"-18	6
25	93497-2-325	MOTOR, TEFC, 3 Phase	10 HP	1
26	635DS-234	CARRIAGE BOLT	5/16"-18X1"	4
27	10-9101	HEX CAP SCREW	5/16"-18X1/2"	4
28	93497-2-328	CONTROL HOUSING		1
29	40-4116	CONTROL BOX BOTTOM COVER		1
30	10-8902	SET SCREW	5/16"-18X3/8"	4
31	93497-2-331	COUPLER		1
32	93497-2-332	BRACKET, CONTROL HOUSING		1
33	93497-2-333	RAIL, BED RH		1
34	93497-2-334	RAIL, BED LH		1
35	12-0209	FLANGE LOCK NUT	3/8"-16	30
36	40-4153	BRACKET, DRIVEN ROLLER SUPPORT		2
37	40-4155A	BRACKET, DRIVE ROLLER SUPPORT LH		1
38	40-4154	BRACKET, DRIVE ROLLER SUPPORT RH		1
39	13-1015	BEARING, DRIVE ROLLER		2
40	30-3112-1	ROLLER, DRIVE		1
41	30-3113	ROLLER, DRIVEN		1
42	93267-2-375	SCREW	1/4"-20X3/8"	2
43	10-1302	CARRIAGE BOLT	3/8"-16X3/4"	14
44	10-9207	HEX CAP SCREW	3/8"-16X1-1/2"	12
45	10-9205	HEX CAP SCREW	3/8"-16X1"	4
46	10-9215	SET SCREW	3/8"-16X3"	2
47	PG-11	STRAIN RELIEF	PG-11	2
48	93497-2-348	FWD/REV SWITCH		1
49	40-4202	CONVEYOR BED		1
50	93497-350	LOWER CONTROL BOX COVER		1
51	20-0753	E-RING	E-15	2
52	93497-2-352	STARKLOCK	3/4"	1
53	480BS-177	HEX CAP SCREW	3/8"-16X3/4"	2

Ref. No.	Part No.	Description	Size	Qty.
54	11-0104	FLAT WASHER	3/8"X20X2t	14
55	61-1017	BELT, CONVEYOR POLYURETHANE		1
56	93267-2-356	CONTROLLER, 180 VDC, VARIABLE SPEED, CONVEYOR		1
57	72-6202-1	FUSE HOLDER		1
58	10-3803	SLOTTED HEX HEAD SCREW	#10-24X3/8"	6
59	93267-2-359	CORD HOLDER		1
60	40-0012	GUARD, BELT ANGLED		1
61	40-0011	GUARD, BELT LOWER		1
62	72-1270-3	FLAT WASHER	5/16" I.D. THIN	2
63	72-1270-4	JAM NUT	5/16"-32	2
64	PLAREVO1836-1152	SCREW	M4X0.7X6	21
65	93267-2-365	LCD MONITOR		1
66	913002-169	SCREW	M4X0.7X8	5
67	72-2051	SIWTCH, HIGH/LOW		1
68	72-2050	SWITCH, UP/DOWN		1
69	93497-2-369	DRO MOUNTING PLATE		1
70	93267-2-370	SCREW	M3X0.5X8	2
71	72-2004E	ON/OFF SWITCH, CONVEYOR		1
72	93497-2-372	EXTENSION CORD (NOT SHOWN) , INVERTER		1
73	93267-2-373	SCREW	M3X0.5X6	1
74	PLAREVO1836-170	ON/OFF SWITCH, DRUM		1
75	PLAREVO1836-171	EMERGENCY STOP		1
76	480BS-111	LOCK WASHER	3/8"	6
77	93497-2-377	CONTROL PANEL LABEL		1
78	93497-2-378	UPPER CONTROL BOX		1
79	93497-2-379	UPPER CONTROL BOX COVER		1
80	93497-2-380	INVERTER		1
81	PLAREVO1216-205	RUBBER BUSHING	D25	1
82	93497-2-382	MOTOR CORD, FRONT MOTOR		1
83	93497-2-383	POYFLEX-CORRUGATED PIPES		1
84	93497-384	STRAIN RELIEF	PG-29	1
85	93497-2-385	SOCKET HEAD BUTTON SCREW	M5X0.8X16	1
86	93497-2-386	FIEXIBLE CONDUIT ADAPTOR	PF2"	2
87	93267-2-387	TERMINAL BLOCK		1
88	93497-2-388	FEED-THROUGH TERMINALS		15
89	93497-2-389	DIN RAIL		1
90	93497-2-390	DIN RAIL		1
91	93497-2-391	END BRACKET		4
92	93497-2-392	FILTER SPONGE PLATE		1
93	93497-2-393	FILTER SPONGE		1
94	93497-2-394	HEX CAP SCREW	M5X0.8X8	4
95	93497-2-395	AC FAN		1
96	93497-2-396	METAL FAN GUARDS		1
97	93497-2-397	SCREW	M5X0.8X10	4
98	93497-2-398	SCREW	M5X0.8X8	4
99	93497-399	JUNCTION BOX		1
100	93497-3100	JUNCTION BOX COVER		1
101	93497-3101	RAIL-MOUNT TERMINAL BLOCKS		3
102	93497-2-3102	EXTERNAL TOOTH LOCK WASHER	M5	1
103	93497-2-3103	DIN RAIL		1
105	93497-2-3105	SCREW	M3X0.5X20	1
106	93497-2-3106	HEX NUT	M3X0.5	1