

Parts List for REVO 24 | 36 Lathe

Index	Part Number	Description	Specification	Qty
1	PLAREVO1836-101	Bed		1
2	PLAREVO1836-102	Spindle Pulley		1
3	PLAREVO1836-103	Spring		1
4	PLAREVO1836-104	Spindle Lock Plunger		1
5	PLAREVO1836-105	Locking Collar		1
6	PLAREVO1836-106	Bearing Nut		1
7	PLAREVO1836-107	Door		1
8	PLAREVO2436-220-108	Tailstock		1
9	PLAREVO1836-109	Motor Pulley		1

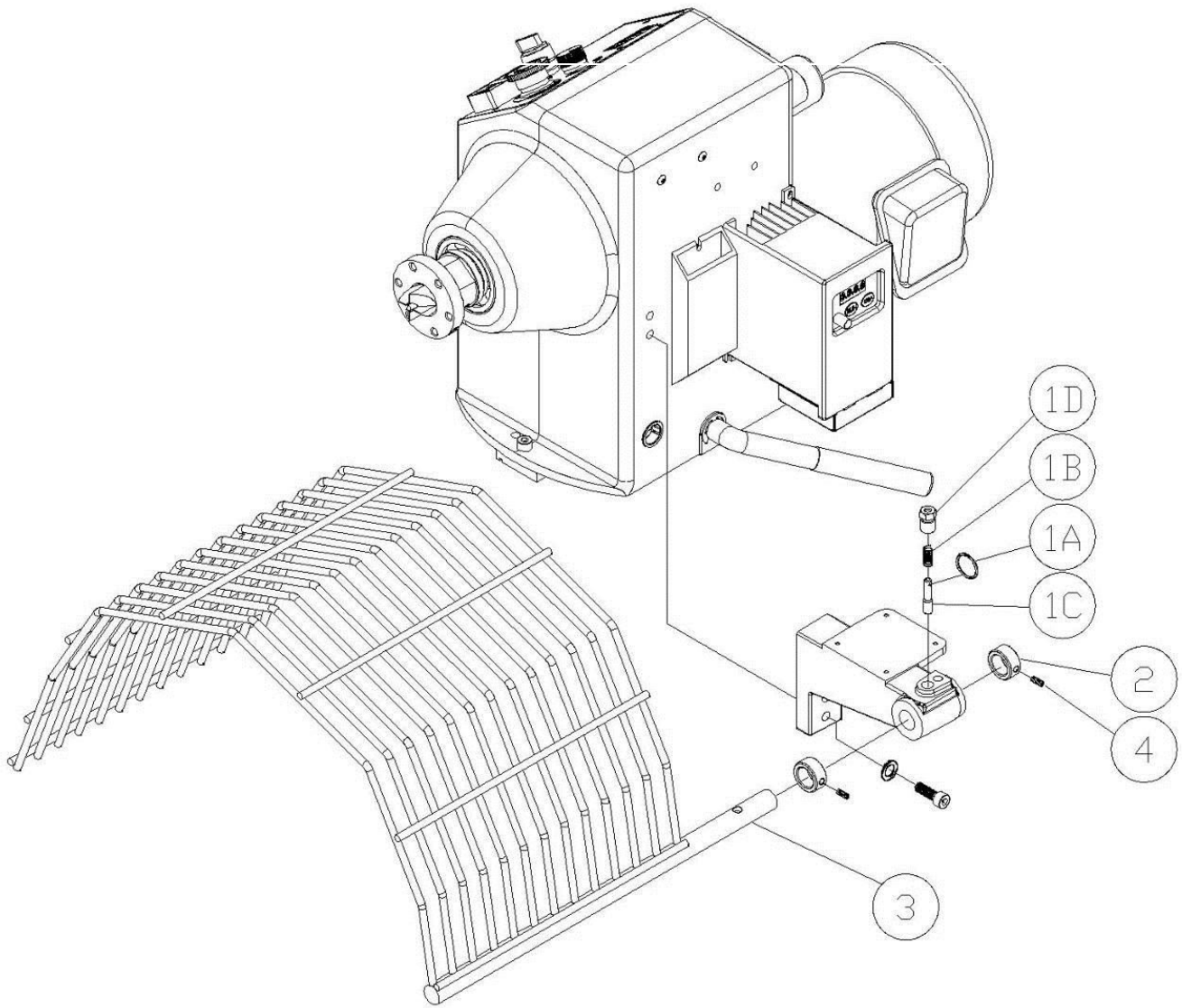
10	PLAREVO1836-110	Motor Plate	1
11	PLAREVO1836-111	Headstock Locking Handle	1
12	PLAREVO2436-220-112	Headstock	1
13	PLAREVO1836-113	3" Faceplate	1
14	PLAREVO1836-114	Clamp Bolt	2
15	PLAREVO1836-115	Sleeve	2
16	PLAREVO1836-116	Rubber Sleeve	2
17	PLAREVO1836-117	Knob	1
18	PLAREVO1836-118	Headstock Adjusting Plate	1
19	PLAREVO1836-119	Clamp	2
20	PLAREVO1836-120	Lock Handle	1
21	PLAREVO1836-121	Control Panel	1
22	PLAREVO1836-122	Handwheel	1
23	PLAREVO2436-220-123	Motor	1
24	PLAREVO1836-124	Spur Center	1
25	PLAREVO1836-125	Spindle	1
26	PLAREVO1836-126	Index Stud	1
27	PLAREVO1836-127	Index Shaft	1
28	PLAREVO1836-128	Index Bracket	1
29	PLAREVO1836-129	Spring	1
30	PLAREVO1836-130	Spring	1
31	PLAREVO1836-131	Index Plate	1
32	PLAREVO1836-132	Disc, Spindle Lock	1
33	PLAREVO1836-133	Index Bolt	1
34	PLAREVO1836-134	Index Knob	1
35	PLAREVO2436-220-135	Tool Rest Support Base	1
36	PLAREVO1836-136	Cord Holder	1
37	PLAREVO2436-220-137	Tool Rest Locking Handle	1
38	PLAREVO1836-138	12" Tool Rest	1
39	PLAREVO2436-220-139	Leg	2
40	PLAREVO1836-140	Lock Handle	1
41	PLAREVO1836-141	Handwheel	1
42	PLAREVO1836-142	Quill	1
43	PLAREVO1836-143	Tailstock Locking Handle	1
44	PLAREVO1836-144	Live Center Assembly	1
45	PLAREVO1836-145	Tailstock Adjusting Plate	1
46	PLAREVO1836-146	Lead Screw	1

47	PLAREVO1836-147	Stop Bolt		3
48	PLAREVO1836-148	Key		1
49	PLAREVO1836-149	Quill Lock Sleeve		1
50	PLAREVO1836-150	Tool Caddy		1
51	PLAREVO1836-151	Knockout Rod		1
52	PLAREVO1836-152	Braking Resistor Cord		1
53	PLAREVO1836-153	Lock Handle		1
54	PLAREVO1836-154	Control Box		1
55	PLAREVO2436-220-155	Control Cord		1
56	PLAREVO1836-156	Tailstock Tool Caddy		1
57	PLAREVO1836-157	Hex Cap Screw	M6x6	4
58	PLAREVO1836-158	Door Hinge		1
59	PLAREVO1836-159	Speed Knob		2
60	PLAREVO1836-160	Rubber Sleeve		2
61	PLAREVO1836-161	Rubber Bushing		1
62	PLAREVO2436-220-162	Bottom Cover		1
63	PLAREVO2436-220-163	Inverter		1
64	PLAREVO1836-164	Braking Resistor		1
65	PLAREVO1836-165	Screw	M4x12	1
66	PLAREVO1836-166	Digital Readout		1
67	PLAREVO1836-167	Digital Readout Sensor		1
68	PLAREVO1836-168	Screw	M3x20	2
69	PLAREVO1836-169	Control Pot Assembly		2
70	PLAREVO1836-170	ON/ OFF Switch		2
71	PLAREVO1836-171	Emergency Stop		2
72	PLAREVO1836-172	Spacer		2
73	PLAREVO1836-173	Fwd/Rev Switch		3
74	PLAREVO1836-174	Relay		2
75	PLAREVO1836-175	Ball Bearing	6205LLU	1
76	PLAREVO1836-176	Ball Bearing	6207LLU	1
77	PLAREVO1836-177	Pillar		2
78	PLAREVO1836-178	Index Label		1
79	PLAREVO1836-179	Index Indicator		1
80	PLAREVO1836-180	Power Cord		1
81	PLAREVO1836-181	Knob		1
82	PLAREVO1836-182	Leveling Foot		4
83	PLAREVO1836-183	Bushing		1

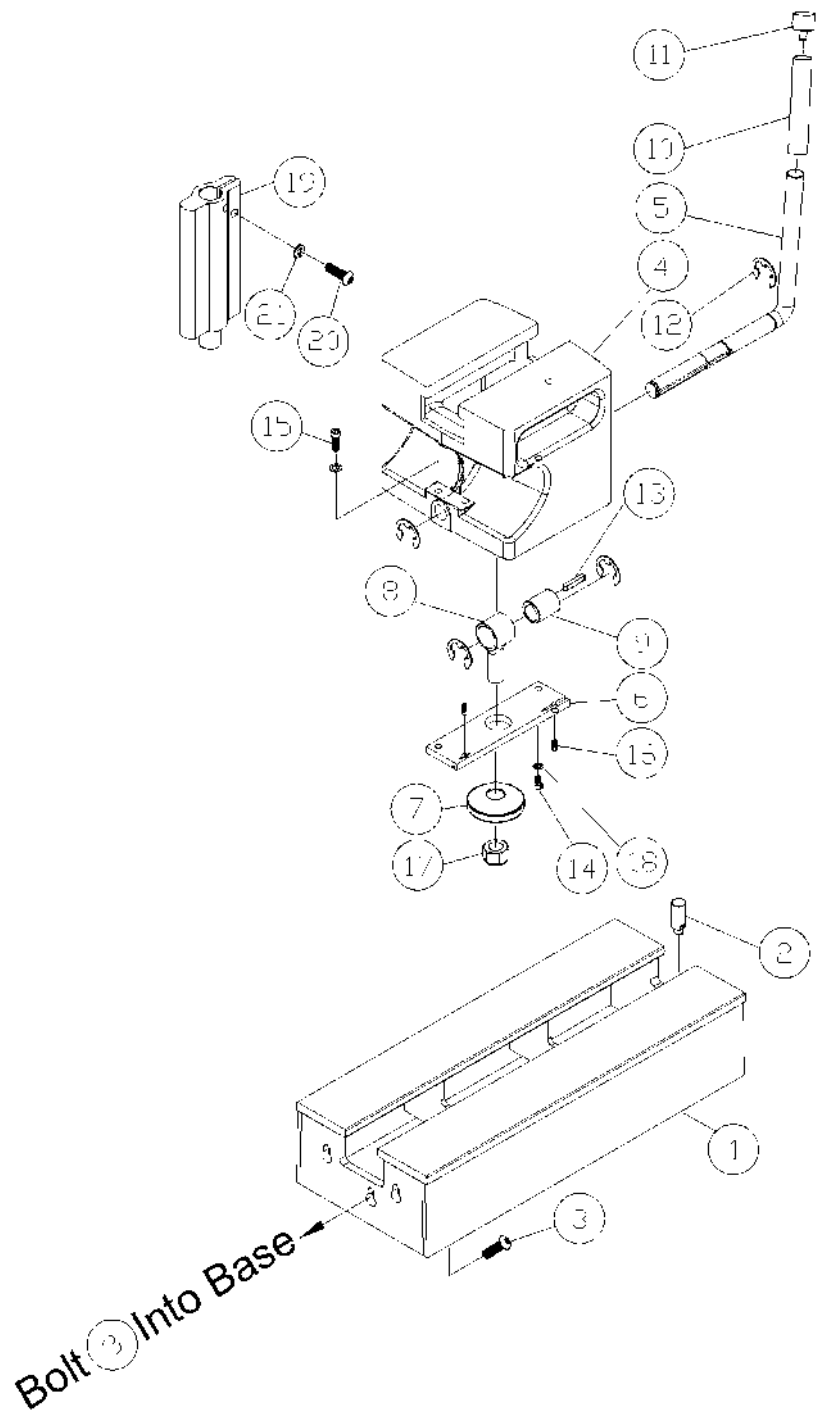
84	PLAREVO1836-184	Wave Washer	6205	1
85	PLAREVO1836-185	Key	6x6x30	2
86	PLAREVO1836-186	Key	8x7x25	1
87	PLAREVO1836-187	Key	8x7x60	1
88	PLAREVO1836-188	E-Ring	E24	2
89	PLAREVO1836-189	E-Ring	E15	4
90	PLAREVO1836-190	E-Ring	E5	1
91	PLAREVO1836-191	C-Ring	R22	1
92	PLAREVO1836-192	Socket Head Cap Screw	1/4-20UNCx1"	1
93	PLAREVO1836-193	Hex Cap Screw	3/8-16UNCx1/2"	1
94	PLAREVO2436-220-194	Washer,Lock-Int. Tooth	M3	4
95	PLAREVO1836-195	Socket Head Cap Screw	3/8-16UNCx1"	1
96	PLAREVO1836-196	Knob		1
97	PLAREVO1836-197	Socket Head Cap Screw	5/16-18UNCx1"	8
98	PLAREVO1836-198	Set Screw	5/16-18UNCx3/8"	2
99	PLAREVO1836-199	Set Screw	M8x6	4
100	PLAREVO1836-1100	Set Screw	M4x4	3
101	PLAREVO1836-1101	Set Screw	1/4-20UNCx1/4	4
102	PLAREVO1836-1102	Key	5x5x50	1
103	PLAREVO1836-1103	Screw	M4x15	4
104	PLAREVO1836-1104	Screw	M3x8	8
105	PLAREVO1836-1105	Phillips Flat Head Screw	M3x8	2
106	PLAREVO1836-1106	Phillips Flat Head Screw	M6x16	4
107	PLAREVO1836-1107	Screw	M3x4	2
108	PLAREVO1836-1108	Motor Cord		1
109	PLAREVO1836-1109	Flat Washer	D3xD8x1t	2
110	PLAREVO1836-1110	Nylon Insert Lock Nut	M18x2.5	3
111	PLAREVO1836-1111	Hex Nut	3/8-16UNC	4
112	PLAREVO1836-1112	Flat Washer	D10xD23x2t	7
113	PLAREVO1836-1113	Flat Washer	D8xD18x2t	14
114	PLAREVO1836-1114	Lock Washer	5/16"	12
115	PLAREVO1836-1115	Lock Washer	3/8"	5
116	PLAREVO1836-1116	Phillips Flat Head Screw	3/8-16UNCx3/4"	4
117	PLAREVO1836-1117	Strain Relief	7N-2	3
118	PLAREVO1836-1118	Strain Relief	SB2F-1	1
119	PLAREVO1836-1119	Set Screw	1/4-20UNCx3/8	1
120	PLAREVO1836-1120	Socket Head Button Screw	M8x25	3

121	PLAREVO1836-1121	Socket Head Button Screw	M8x45	1
122	PLAREVO1836-1122	Socket Head Cap Screw	5/16-18UNCx1/2"	3
123	PLAREVO2436-220-1123	Poly-V Belt	PJ8-200	1
124	PLAREVO1836-1124	Set Screw	M6x6	1
125	PLAREVO1836-1125	Set Screw	5/16-18UNCx1/4	1
126	PLAREVO1836-1126	Socket Head Button Screw	3/8-16UNCx5/8"	2
127	PLAREVO1836-1127	Screw	M3x12	2
128	PLAREVO1836-1128	Spacer		2
129	PLAREVO1836-1129	Handle		4
130	PLAREVO1836-1130	Sensor Bracket		1
131	PLAREVO1836-1131	Phillips Flat Head Screw	M3x4	4
132	PLAREVO1836-1132	Knob		1
133	PLAREVO1836-1133	Screw	M3x4	1
134	PLAREVO1836-1134	Screw	M3x8mm	3
135	PLAREVO1836-1135	Clamp		1
136	PLAREVO1836-1136	Handle, Faceplate		1
137	PLAREVO2436-220-1137	Logo Plate		1
138	PLAREVO1836-1138	Strain Relief	6N-4	6
139	PLAREVO1836-1139	Bracket		1
140	PLAREVO1836-1140	Thimble		1
141	PLAREVO1836-1141	Socket Flat Head Screw	M3x8	1
142	PLAREVO1836-1142	Cord Holder		1
143	PLAREVO1836-1143	O-Ring	P29	2
144	PLAREVO1836-1144	Speed Label		1
145	PLAREVO1836-1145	Cap		4
146	PLAREVO1836-1146	Socket Head Button Screw	1/4-20UNCx3/8"	8
147	PLAREVO2436-220-1147	Headstock Bracket		1
148	PLAREVO1836-1148	Socket Head Cap Screw	3/8-16UNCx1-1/4"	2
149	PLAREVO2436-220-1149	Tailstock Bracket		1
150	PLAREVO1836-1150	Socket Head Cap Screw	3/8-16UNCx3/4"	2
151	PLAREVO1836-1151	Magnet		1
152	PLAREVO1836-1152	Screw	M4x6	2
153	PLAREVO1836-1153	Hex Nut	M4x0.7	1
154	PLAREVO1836-1154	Braking Resistor Cover		1
155	PLAREVO1836-1155	Set Screw	M6x12	2
156	PLAREVO2436-220-1156	Outlet		2
157	PLAREVO2436-220-1157	Relay		1

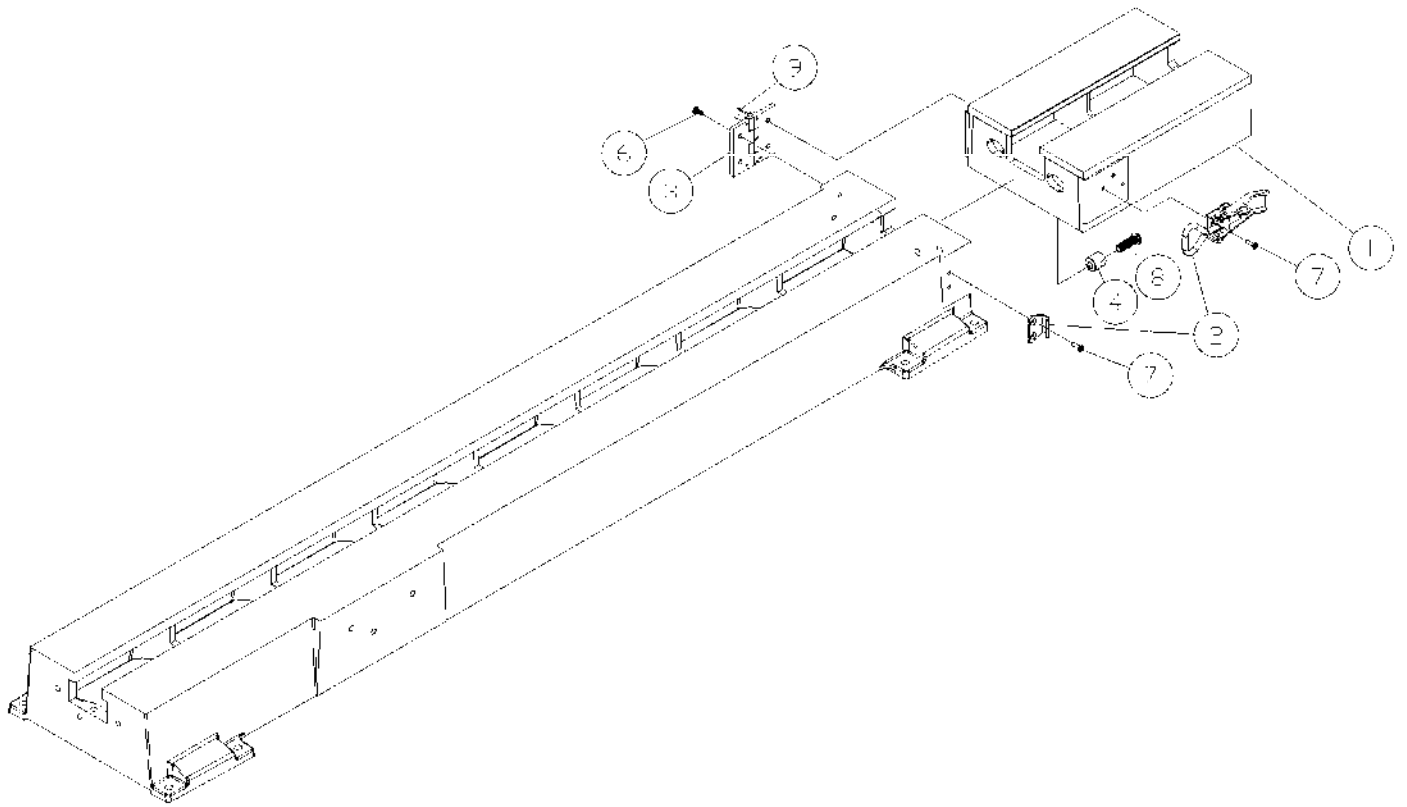
158	PLAREVO2436-220-1158	Hex Cap Screw	M3x6	1
159	PLAREVO2436-220-1159	Remote Control Panel		1
160	PLAREVO2436-220-1160	Flat Washer	D4xD20x2t	4
161	PLAREVO2436-220-1161	Clamp Bolt		1
162	PLAREVO2436-220-1162	Remote Control Box		1
163	PLAREVO2436-220-1163	Bracket		2
164	PLAREVO2436-220-1164	Remote Control Cord		1
165	PLAREVO2436-220-1165	Screw	M4x15	4
166	PLAREVO2436-220-1166	Screw	M3x6	4
167	PLAREVO2436-220-1167	Flat Washer	D1/4x16x2t	2
168	PLAREVO2436-220-1168	Hex Cap Screw	1/4-20UNCx3/8"	2
170	PLAREVO2436-220-1170	Head/Remote Label		1



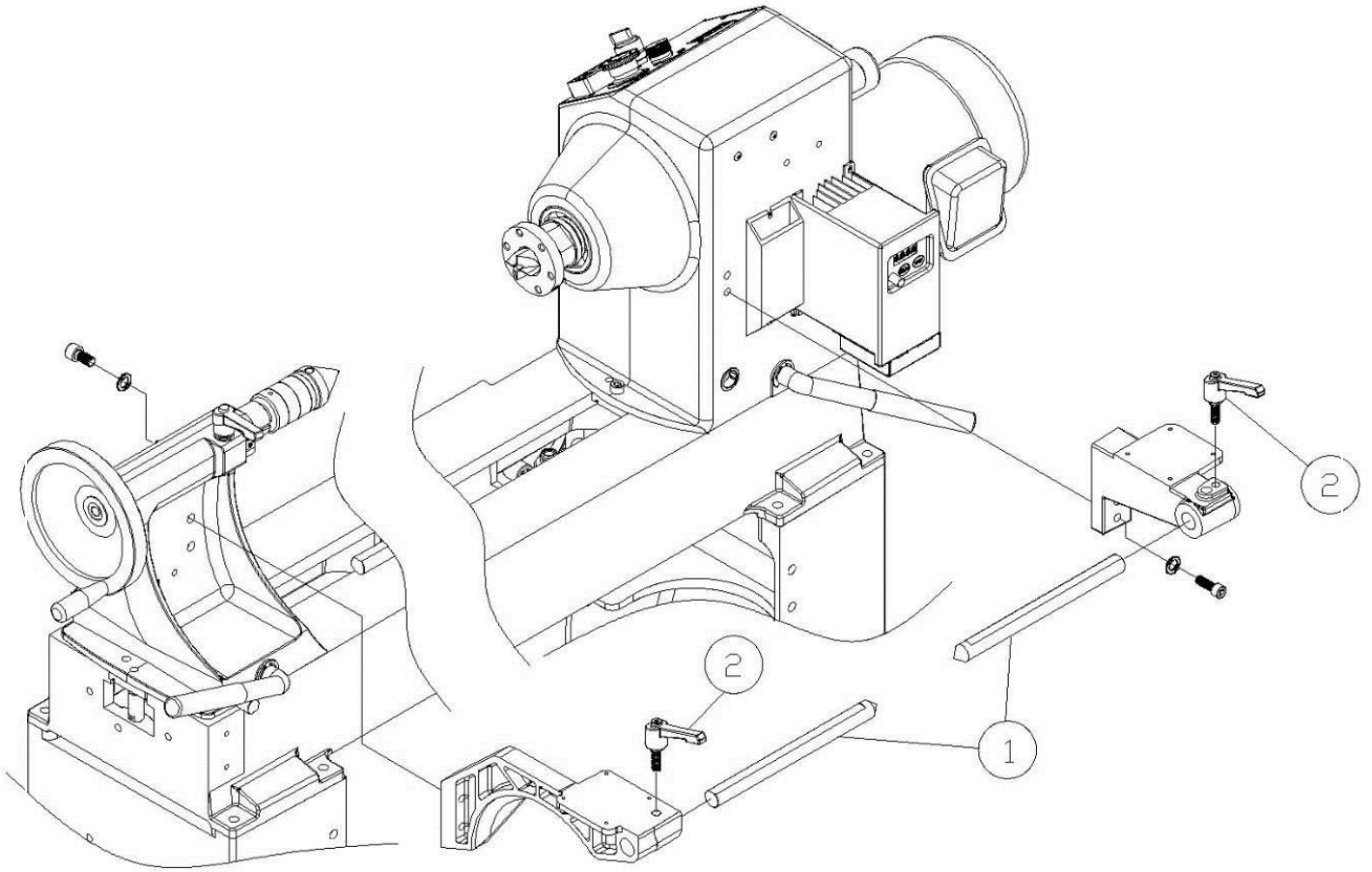
Optional Headstock Guard				
Index	Part Number	Item Description	Specification	Qty
1	PLAREVO1836-201	Plunger		1
2	PLAREVO1836-202	Retaining Collar		2
3	PLAREVO1836-203	Guard		1
4	PLAREVO1836-204	Set Screw	1/4-20UNCx1/4"	2



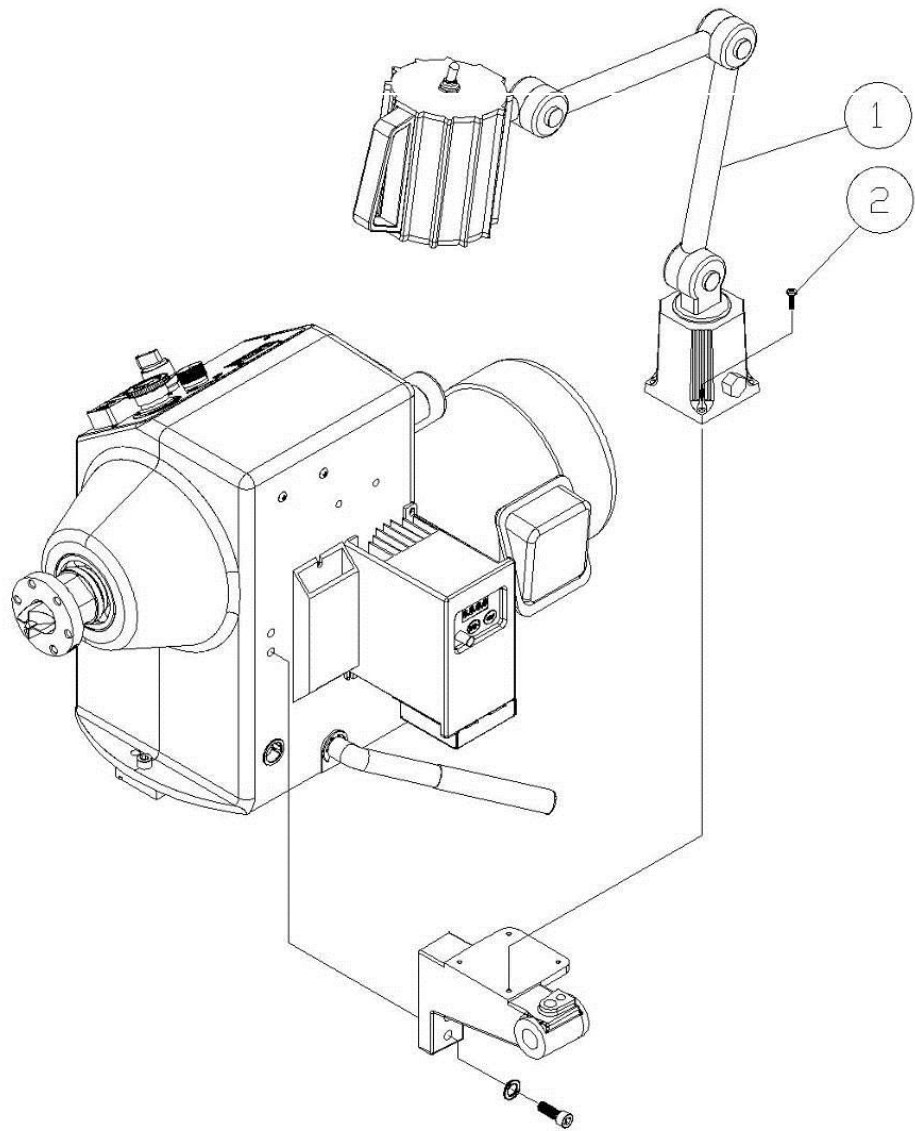
Optional 20" Bed Extension with Riser Block and Tool Rest Extension				
Index	Part Number	Item Description	Specification	Qty
1	PLAREVO1836-301	20" Bed Extension		1
2	PLAREVO1836-147	Stop Bolt		2
3	PLAREVO1836-195	Socket Head Cap Screw	3/8-16UNCx1"	3
4	PLAREVO1836-304	Riser Block		1
5	PLAREVO1836-305	Riser Block Locking Handle		1
6	PLAREVO1836-306	Riser Block Adjusting Plate		1
7	PLAREVO1836-119	Clamp		1
8	PLAREVO1836-114	Clamp Bolt		1
9	PLAREVO1836-115	Sleeve		1
10	PLAREVO1836-116	Rubber Sleeve		1
11	PLAREVO1836-1145	Cap		1
12	MPAREVO1836-189	E-Ring	E15	4
13	PLAREVO1836-185	Key	6x6x30	1
14	PLAREVO1836-194	Socket Head Button Screw	M8x20	1
15	PLAREVO1836-315	Socket Head Button Screw	M8x50	1
16	PLAREVO1836-199	Set Screw	M8x6	2
17	PLAREVO1836-1110	Nylon Insert Lock Nut	M18x2.5	1
18	PLAREVO1836-1114	Lock Washer	5/16"	2
19	PLAREVO1836-319	Tool rest Extension		1
20	PLAREVO1836-320	Socket Head Button Screw	3/8-16UNCx1-1/4"	1
21	PLAREVO1836-1115	Lock Washer	3/8"	1



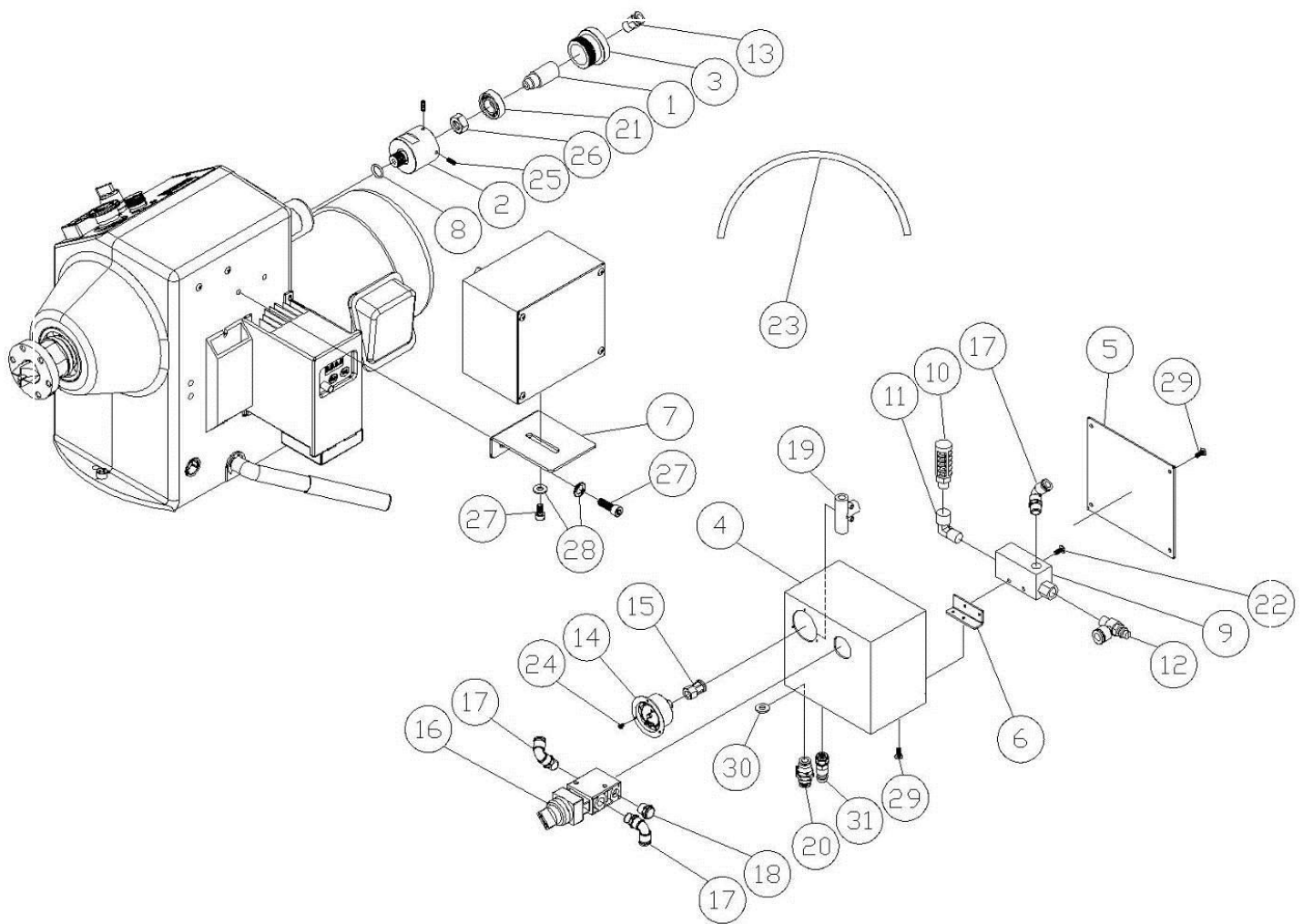
Optional 12" Swing-Away Extension				
Index	Part Number	Item Description	Specification	Qty
1	PLAREVO1836-401	12" Bed Extension		1
2	PLAREVO1836-402	Draw Latch Assembly		1
3	PLAREVO1836-403	Hinge		1
4	PLAREVO1836-404	Pin		3
5	PLAREVO1836-147	Stop Bolt		1
6	PLAREVO1836-406	Socket Head Cap Screw	M6x12	4
7	PLAREVO1836-407	Phillips Flat Head Screw	M5x12	5



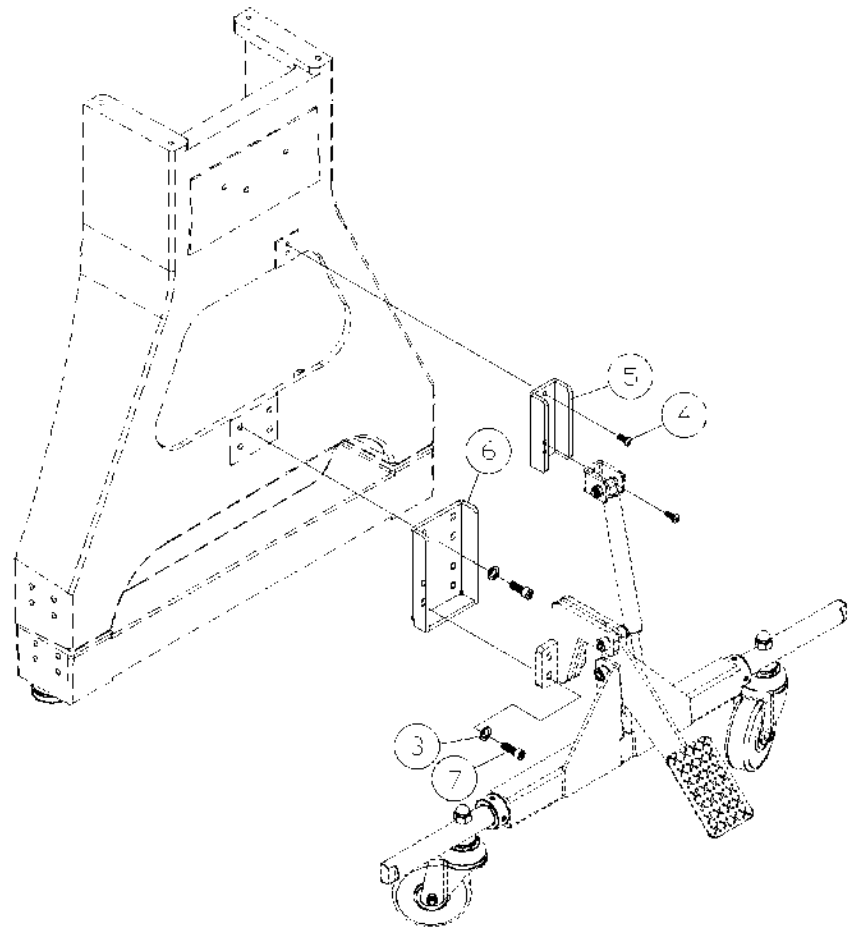
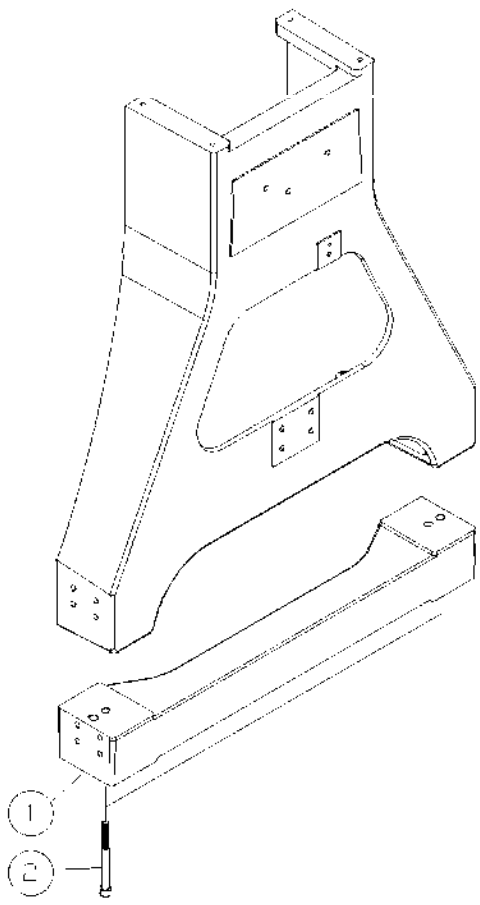
Optional Comparator				
Index	Part Number	Item Description	Specification	Qty
1	PLAREVO1836-501	Center		2
2	PLAREVO1836-502	Lock Handle		2



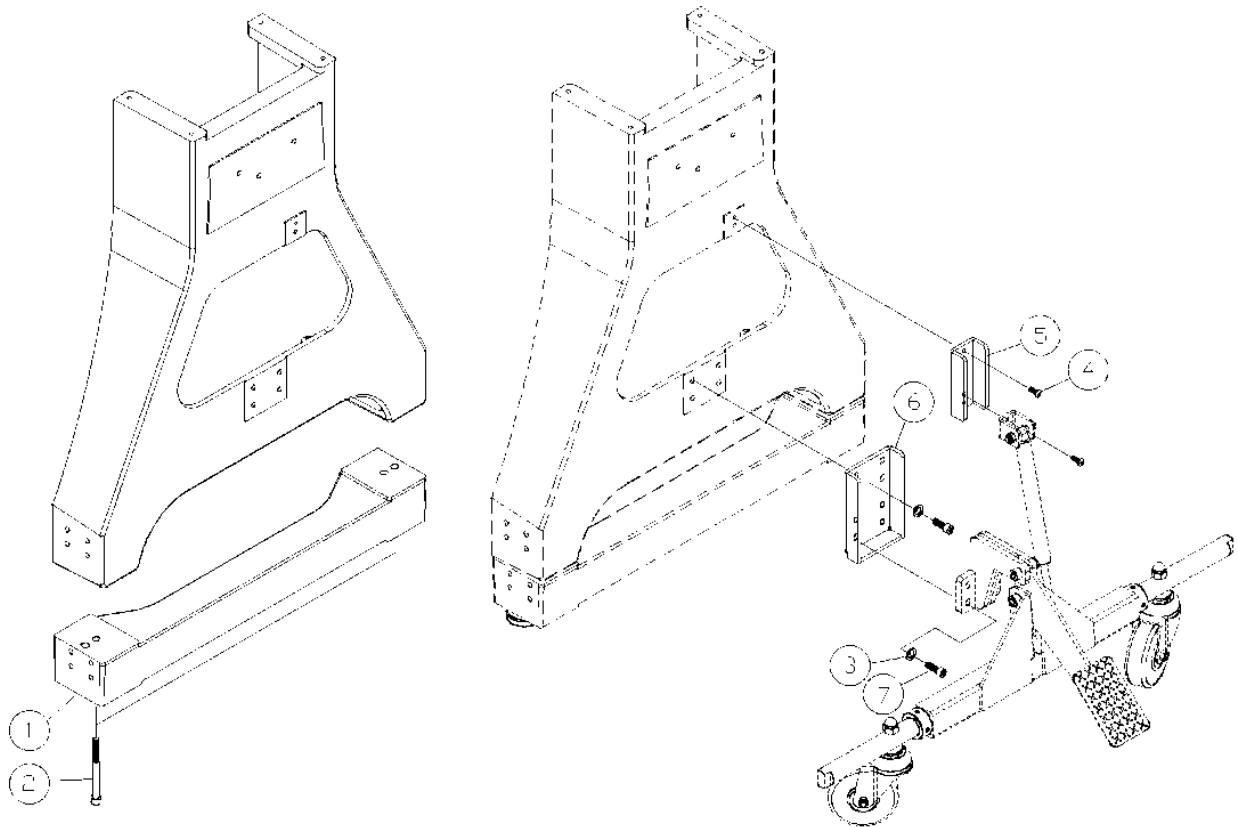
Optional Industrial Flood Light				
Index	Part Number	Item Description	Specification	Qty
1	PLAREVO1836-601	Work Light		1
2	PLAREVO1836-602	Screw	M4x15	4



Optional Inverter for Vacuum				
Index	Part Number	Item Description	Specification	Qty
1	PLAREVO1836-801	Connecting Shaft		1
2	PLAREVO1836-802	Vacuum Adaptor Body		1
3	PLAREVO1836-803	Cover		1
4	PLAREVO1836-804	Vacuum System Box		1
5	PLAREVO1836-805	Plate		1
6	PLAREVO1836-806	Vacuum Generator Bracket		1
7	PLAREVO1836-807	Vacuum System Bracket		1
8	PLAREVO1836-808	O-Ring	P14	1
9	PLAREVO1836-809	Vacuum Generator		1
10	PLAREVO1836-810	Silencer		1
11	PLAREVO1836-811	L-Type Fitting		1
12	PLAREVO1836-812	Air Flow Regulator		1
13	PLAREVO1836-813	Quick Release Fitting		1
14	PLAREVO1836-814	Pressure Vacuum Gauge		1
15	PLAREVO1836-815	Gauge Fitting		1
16	PLAREVO1836-816	Vacuum Switch		1
17	PLAREVO1836-817	H-Type Fitting		1
18	PLAREVO1836-818	Flat Type Silencer		1
19	PLAREVO1836-819	T-Type Fitting		1
20	PLAREVO1836-820	Straight Fitting-Female		1
21	PLAREVO1836-821	Ball Bearing	6003ZZ	1
22	PLAREVO1836-822	Screw	M4x30	2
23	PLAREVO1836-823	Air Hose		1
24	PLAREVO1836-824	Screw	M2.5x5	3
25	PLAREVO1836-825	Set Screw	M5x5	2
26	PLAREVO1836-826	Hex Nut	M12	1
27	PLAREVO1836-827	Socket Head Cap Screw	5/16-18UNCx1/2"	4
28	PLAREVO1836-1113	Flat Washer	D8xD18x2t	4
29	PLAREVO1836-829	Screw	M4x10	6
30	PLAREVO1836-830	Flat Washer	D1/2"xD26x2.5t	1
31	PLAREVO1836-831	Quick Fitting- Inlet		1



Optional Deluxe Wheel System				
Index	Part Number	Item Description	Specification	Qty
1	PLAREVO1836-901	Support Bracket-Right		2
2	PLAREVO1836-1115	Lock Washer	3/8"	24
3	PLAREVO1836-195	Socket Head Cap Screw	3/8-16UNCx1"	24
4	PLAREVO1836-904	Support Bracket-Left		2
5	PLAREVO1836-905	Nylon Insert Lock Nut	M8x1.25	6
6	PLAREVO1836-906	Support Bracket		2
7	PLAREVO1836-907	Socket Head Cap Screw	M8X45mm	2
8	PLAREVO1836-1146	Socket Head Button Screw	1/4-20UNCx3/8"	8
9	PLAREVO1836-909	Spacer		4
10	PLAREVO1836-910	Cylinder		2
11	PLAREVO1836-911	Nylon Insert Lock Nut	M10x1.5	4
12	PLAREVO1836-912	Support Bracket		2
13	PLAREVO1836-913	Bushing		2
14	PLAREVO1836-914	Socket Head Cap Screw	M10x35mm	4
15	PLAREVO1836-915	Connecting rod		2
16	PLAREVO1836-916	Bushing		2
17	PLAREVO1836-917	Foot Brake		2
18	PLAREVO1836-918	Socket Head Cap Screw	M8X30mm	2
19	PLAREVO1836-919	Bushing		2
20	PLAREVO1836-920	Socket Head Cap Screw	M8X50mm	2
21	PLAREVO1836-199	Set Screw	M8x6	8
22	PLAREVO1836-922	Spacer		4
23	PLAREVO1836-923	Rod		2
24	PLAREVO1836-924	Nut	1/2"-12UNC	4
25	PLAREVO1836-925	Flat Washer	1/2"	4
26	PLAREVO1836-926	Caster		4
27	PLAREVO1836-927	Support Bracket		2



Optional 3" Riser Blocks				
Index	Part Number	Item Description	Specification	Qty
1	PLAREVO1836-701	3" Riser Blocks		2
2	PLAREVO1836-702	Socket Head Cap Screw	3/8-16UNCx3-1/2"	4
3	PLAREVO1836-1115	Lock Washer	3/8"	8
4	PLAREVO1836-1146	Socket Head Button Screw	1/4-20UNCx3/8"	4
5	PLAREVO1836-705	Support Bracket		2
6	PLAREVO1836-706	Support Bracket		2
7	PLAREVO1836-707	Socket Head Cap Screw	3/8-16UNCx3/4"	8