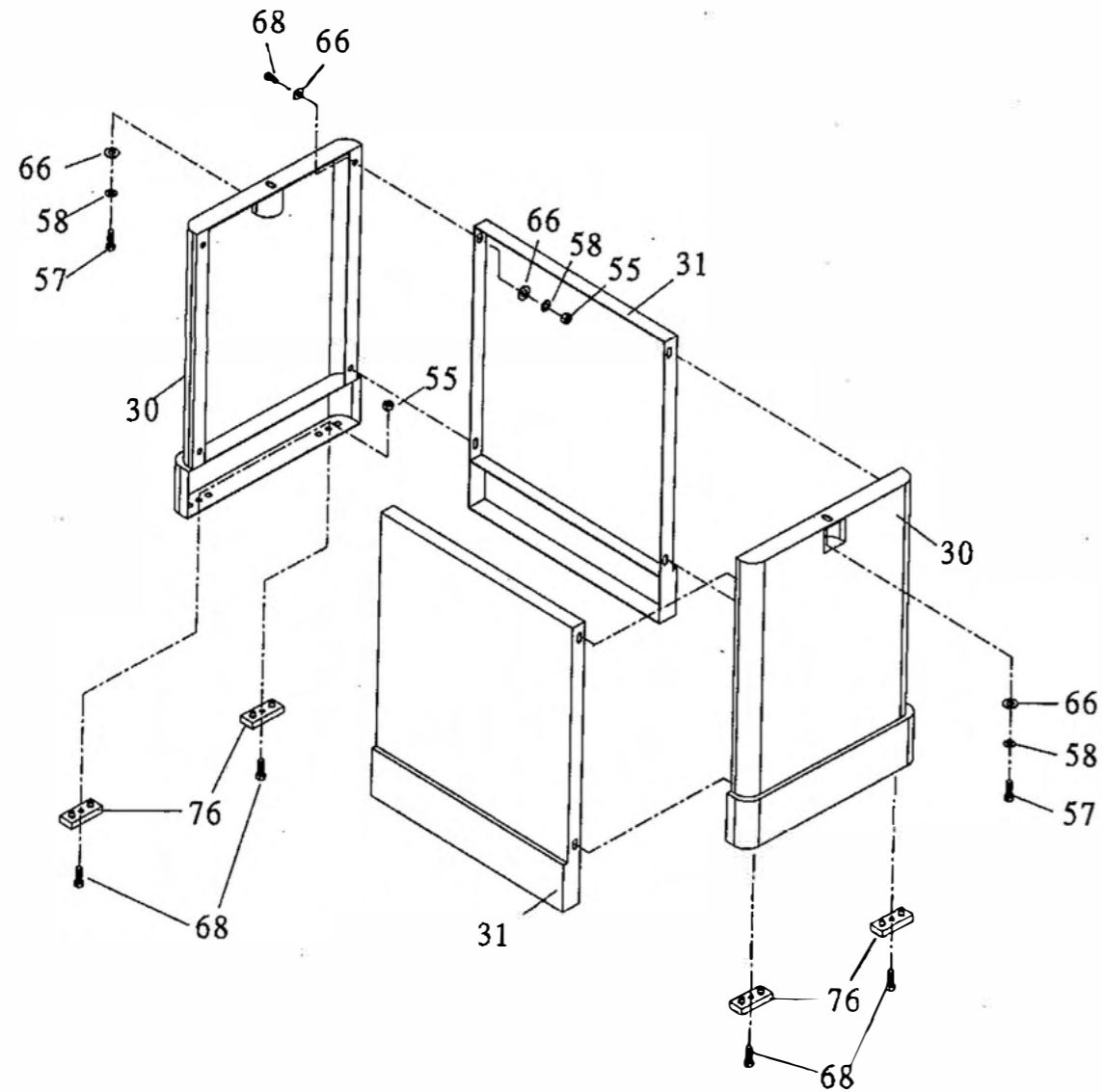


PARTS LIST OF DB12-48



| No. | COM No. | DESCRIPTION | QTY. |
|-----|-----------|---------------------------------|------|
| 1 | 30500001 | BASE LOW | 1 |
| 2 | 30500002 | BASE UP | 1 |
| 3 | 21100028 | 12"TABLE WORKING TABLE | 1 |
| 4 | 30300014 | FRONT GRADUATED SCALE | 1 |
| 5 | 30300015 | REAR GRADUATED SCALE | 1 |
| 6 | 30300016 | 12" DUST HOOD | 1 |
| 7 | 30300017 | DISC GUARD | 1 |
| 8 | 30300018 | DISC | 1 |
| 9 | 30300019 | FRONT BRACKET | 1 |
| 10 | 30300020 | REAR BARACKET | 1 |
| 11 | J3020005 | GRADUATED SCALE | 1 |
| 12 | 30300030 | (6×48")INDICATOR | 1 |
| 13 | 30400007 | BEARING FIX PLATE | 1 |
| 14 | 21000006A | 6×48" TABLE | 1 |
| 15 | 30400002 | AUXICIARY LEFT SCALE PLATE | 1 |
| 16 | 30400003 | AUXICIARY RIGHT SCALE PLATE | 1 |
| 17 | 30400006 | 6×48" DUST HOOD | 1 |
| 18 | 30400008 | SHORT SPACER | 1 |
| 19 | 30400009 | LONG SPACER | 1 |
| 20 | 30400004 | RIGHT GRADUATEDSCALE BASE | 1 |
| 21 | J30300027 | GRADUATED SCALE | 1 |
| 22 | S0010615L | CPA M6X15L LEFT SCREW | 1 |
| 23 | M3050000 | MOTOR | 1 |
| 24 | 30500003 | SWITCH BOX | 1 |
| 25 | W0000000 | SWITCH | 1 |
| 26 | S0020529 | SCREW 5/16"X11/2"L | 1 |
| 27 | 30400001 | TILTING FIX BRACKET | 1 |
| 28 | 30400010 | CONNECTION BLOCK | 1 |
| 29 | 30400011 | SANDING PLATEN | 1 |
| 30 | 30300036 | RIGHT & LEFT BRACKET | 2 |
| 31 | 30300037 | FRONT & REAR SPACING PLATE | 2 |
| 32 | S0050404 | 1/4"-24 UNC ×1/4" SOC-SET SCREW | 1 |

PARTS LIST OF DB12-48

| No. | COM No. | DESCRIPTION | QTY. |
|-----|-----------|---|------|
| 33 | C1106202 | BEARING 6202 | 1 |
| 34 | 20900049 | BEARING CAP 6202 | 1 |
| 35 | 20101031 | BELT CHANGEHANDLE | 1 |
| 36 | 20101032a | HANDLE KNOB | 1 |
| 37 | S0210501 | FLAT WASHER 5/16" | 2 |
| 38 | C1106201 | BEARING 6201 | 2 |
| 39 | 21100012 | DRIVEN ROLLER | 1 |
| 40 | S0120200 | NYL ON NUT 1/4" | 1 |
| 41 | S0521200 | " C " CIRCLIP STW-12 | 1 |
| 42 | 21100009 | DRIVEN ROLLER BRACKET | 1 |
| 43 | S0310420 | SPRING PIN 4 x 16 | 1 |
| 44 | 21100010 | BRACKET SHAFT | 1 |
| 45 | 21100013 | DRIVE ROLLER | 1 |
| 46 | 21100019 | SCREW | 5 |
| 47 | 20101040 | STOP FENCE | 1 |
| 48 | 20101024 | SCREW | 1 |
| 49 | 21100018 | SPRING | 1 |
| 50 | 21100014A | DUST GUARD A | 1 |
| 51 | 21100014 | DUST GUARD BASE | 1 |
| 52 | S0030304 | ROUND CROSS HEAD SCREW 3/16" x 1/4" | 4 |
| 53 | 21100029 | SANDING BELT 6x48" | 1 |
| 54 | S0020300a | FLAT WASHER 5X12 | 4 |
| 55 | S0110400 | 1/4" -20 UNC NUT | 1 |
| 56 | 21100011 | DRIVEN ROLLER AXLE | 1 |
| 57 | S0010501 | CAP SCREW 5/16"-18UNC x 1" | 7 |
| 58 | S0230503 | SPING WASHER 5/16 " | 21 |
| 59 | 30400017 | LONG SPACED RING | 4 |
| 60 | 30400015 | COUPLER | 2 |
| 61 | 30102007 | COMPOUND BLOCK | 1 |
| 62 | S0400530 | KEY 5 x 5 x 30 | 1 |
| 63 | 40101011 | UP SPACED RING | 4 |
| 64 | S0010409 | HEX A GONAL SOCKET HEAD SCREW 1/4" x 1/2" | 7 |

PARTS LIST OF DB12-48

| No. | COM No. | DESCRIPTION | QTY. |
|-----|-----------|-----------------------------------|------|
| 65 | 30400016 | PLATE | 1 |
| 66 | S0210500 | FLAT WASHER | 38 |
| 67 | 20103044 | SCREWDRIVER | 1 |
| 68 | S0010501 | HEX SCREW 5/16"-18UNC x 1" | 20 |
| 69 | S0010500 | CAP 5/16"-18UNC-1/2" | 2 |
| 70 | 30300038 | FASFEN | 1 |
| 71 | 30300039 | SANDING PAPER | 1 |
| 72 | S0230400 | SPRING WASHER 1/4" | 8 |
| 73 | S0030308 | PAN-KEAP SCREW 3/16"-24UNC x 5/8" | 2 |
| 74 | S1006P1 | STRAIN RELIEF BUSHING | 1 |
| 75 | L0000000 | POWER CORD | 1 |
| 76 | 10401029 | PAD | 4 |
| 77 | S0090512 | SCREW 1/4"-20UNC x 1" | 4 |
| 78 | S0220300 | GEAR WASHER 1/4" | 2 |
| 79 | S0120500a | LOCKING NUT 5/16"-18UNC | 5 |
| 80 | S0210403 | 1/4"X16 | 8 |
| 81 | S0030308 | PAN-KEAP SCREW 3/16"-24UNC x 1/2" | 6 |
| 82 | S0110300 | NYL ON NUT 3/16" | 2 |
| 83 | S0020531 | HEX SCREW 5/16"-18UNC x 3" | 4 |
| 84 | S0120500a | NUT 5/16" CHEMICAL BLOCK | 2 |
| 85 | 21000007 | MICRO METRIC ADJUSTMENT SCREW | 1 |
| 86 | 20103029B | STEEL BALL | 1 |
| 87 | 20103029A | MICRO METRIC NUT | 1 |
| 88 | F3050001 | CARTON | 1 |
| 89 | A3050001 | POLYLON | 1 |
| 90 | 30400014 | COUPLED AXLE | 1 |
| 91 | S0910104 | HEX WRENCH 6mm | 1 |
| 92 | S0520032 | RTW-32 C" CIRCLIP | 2 |
| 93 | S0520015 | STW-15 C" CIRCLIP | 3 |
| 94 | I3050000 | MANUAL | 1 |
| | | | |
| | | | |
| | | | |