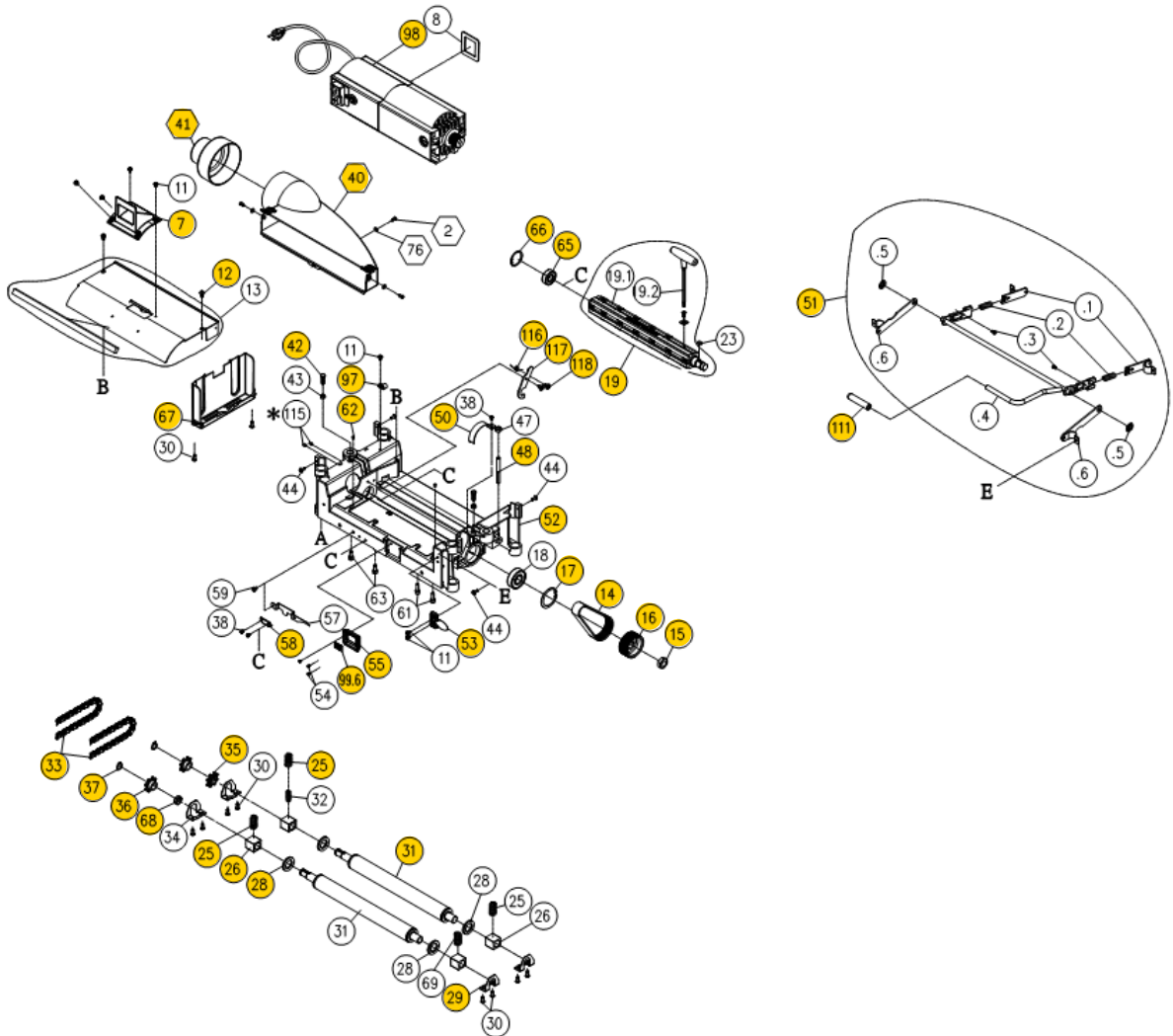
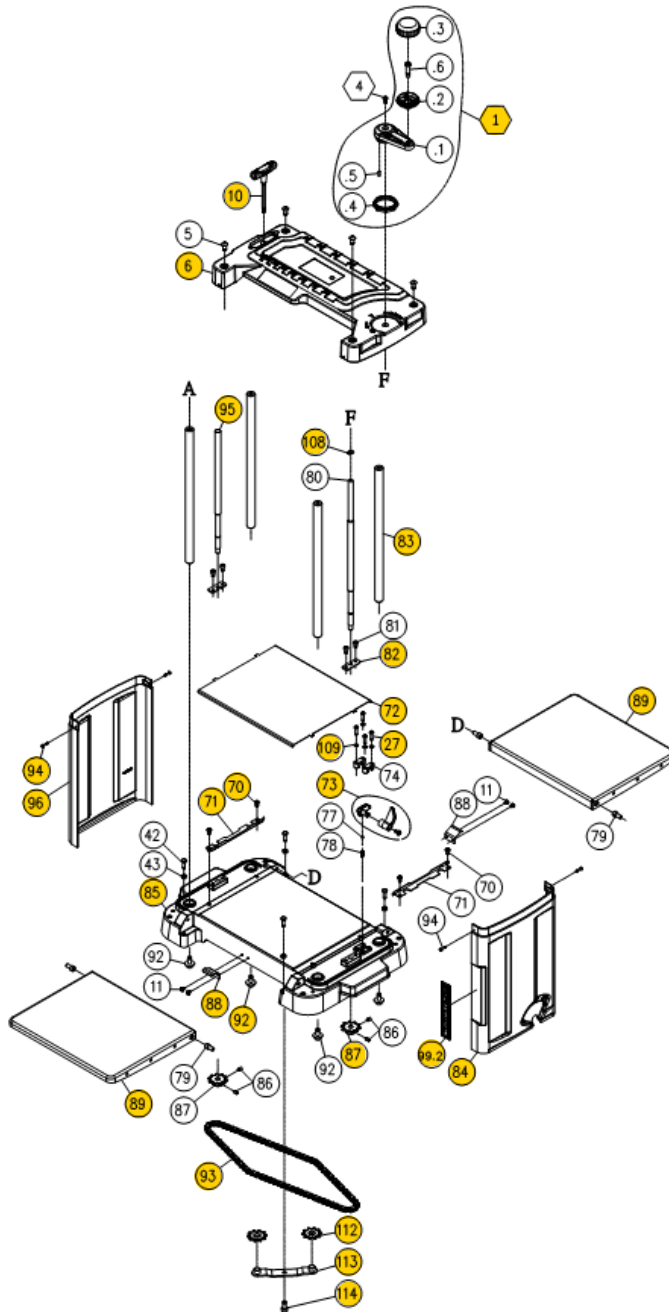


# Replacement Parts Diagram

## Cutterhead & Drivetrain



# Table & Lift



# Replacement Parts Table

REF NO	PART NUMBER	DESCRIPTION	SPECIFICATION	QTY
1	924830-000	HANDLE ASSY.		1
.1	090354-148	HANDLE		1
.2	250260-615	KNOB		1
.3	250262-615	KNOB COVER		1
.4	251421-675	SCALE RING		1
.5	250662-615	PIN	6200	1
.6	360302-901	HANDLE SHAFT		1
2	000302-103	ROUND HEAD PHILLIP SCREW	M4-0.7X10	3
4	049103-104	T TYPE SCREW	M6-1.0X12	1
5	000802-101	ROUND HEAD HEX. SCREW	M8-1.25X16	4
6	251436-615	TOP COVER	M16-1.5(23B-8H)	1
7	251400-615	INLET		1
8	200111-615	SPONGE	2MM	1
10	923507-000	TORX WRENCH	T30	1
11	001601-101	ROUND HEAD PHILLIP SCREW & WASHER	M4-0.7X8/4-10X0.8	11
12	029301-101	TORX SCREW W/LOCK WASHER	M5-0.8X10/5.1X7.9	2
13	924827-001	DEFLECTOR ASSY.	6200	1
14	014303-000	DRIVE BELT	135J-9	1
15	008036-200	HEX NUT	M16-1.5(23BX8H)	1
16	110010-000	DRIVE PULLEY		1
17	010107-000	RETAINING RING	RTW-47	1
18	030208-001	BALL BEARING	6204	1
19	925046-001	SEGMENTED CUTTERHEAD ASSEMBLY	QUADTEC1	1
19	925149-001		QUADTEC1	1
	038201-101		#10-32X1/2"	26
	040710-000	TORX WRENCH	T-25	1
OP	925135-001	KNIFE INSERTS	10PCS/BOX	1
23	012003-002	KEY	5X5X10	1
25	280035-901	SPRING		3
26	130088-000	BEARING BLOCK		4
27	000303-707	ROUND HEAD PHILLIP SCREW	M5-0.8X20	4
28	660010-000	DUST PROOF PLATE		4
29	170737-902	RIGHT MOUNTING PLATE		2
30	000303-104	ROUND HEAD PHILLIP SCREW	M5-0.8X12	10
31	340098-000	FEED ROLLER		2
32	280036-901	SPRING		1
33	016204-000	CHAIN	#410X26P	2

REF NO	PART NUMBER	DESCRIPTION	SPECIFICATION	QTY
34	170736-902	LEFT MOUNTING PLATE		2
35	380257-901	SPROCKET		1
36	150004-000	SPROCKET		2
37	010006-000	RETAINING RING	STW-15	2
38	000302-102	ROUND HEAD PHILLIPS SCREW	M4-0.7X8	3
40	250114-615	DUST PORT		1
41	250133-615	CONNECTOR		1
42	000002-111	HEX SCREW	M6-1.0X20	6
43	008005-100	HEX NUT	M6-1.0(10BX5H)	6
44	002401-101	ROUND HEAD PHILLIPS NYLOCK SCREW W/WASHER	M4-0.7X12/4X10X0.8	4
47	008006-100	HEX NUT	M8-1.25(13BX6.5H)	1
48	360309-901	SHAFT		1
50	170315-901	PULLEY COVER		1
51	924820-001	ROD LINKAGE ASSEMBLY		1
.1	921937-001	ROD ASSEMBLY		2
.2	280039-901	SPRING		2
.3	000302-102	ROUND HEAD PHILLIP SCREW	M4-0.7X8	2
.4	924819-001	KNOB ASSEMBLY		1
.5	010304-000	SPN RING	SPN-10	2
.6	921938-000	ROD LINKAGE ASSEMBLY		2
52	090093-147	CARRIAGE		1
53	250141-620	SCALE POINTER		1
54	000301-101	ROUND HEAD PHILLIP SCREW	M3-0.5X6	3
55	251401-615	SCALE PLATE		1
57	170314-458	POINTER		1
58	170313-901	CONTACT PLATE		1
59	290012-901	SHOULDER SCREW		1
61	230238-905	SELF-TAPPING SCREW W/LOCK WASHER		2
62	360297-000	PIN		2
63	001802-102	CAP SCREW W/LOCK WASHER	M6-1.0X20/6.5X10.5	2
65	030206-001	BALL BEARING	6202	1
66	010103-000	RETAINING RING	RTW-35	1
67	250086-615	CHAIN COVER		1
68	160031-000	SPACER		1
69	280037-000	SPRING		1
70	000304-102	ROUND HEAD PHILLIP SCREW	M6-1.0X10	4
71	170296-901	GUIDE RAIL		2
72	170311-000	WEAR PLATE		1
73	924828-001	DEPTH STOP ASSY		1
74	130392-903	BLOCK		2

REF NO	PART NUMBER	DESCRIPTION	SPECIFICATION	QTY
76	006001-001	FLAT WASHER	4.3-10X1.0	3
77	017002-000	BALL	Ø6	1
78	280052-000	SPRING		1
79	000104-107	CAP SCREW	M8-1.25X15	4
80	361376-902	LEAD SCREW		1
81	000103-102	CAP SCREW	M6-1.0X10	4
82	270005-000	FIX PLATE		2
83	360307-000	COLUMN		4
84	251402-000	RIGHT SIDE COVER		1
85	090353-147	BASE		1
86	001902-101	NYLOCK SET SCREW	M6-1.0X10	4
87	150005-000	SPROCKET		2
88	270007-901	CLIP		2
89	921933-001	EXTENSION TABLE ASSEMBLY		2
92	001701-101	CAP SCREW W/WASHER	M8-1.25X20/8X23X2.0	4
93	016211-000	CHAIN	#410X82P	1
94	001201-501	TAPPING SCREW	M4-1.41X12	4
95	360306-902	LEAD SCREW		1
96	251403-000	LEFT SIDE COVER		1
97	021102-000	CORD CLAMPS	ACC-2.5	1
98	910140-000	MOTOR ASSEMBLY	110V-120V	1
99.2	575140-000	SCALE		1
99.6	575545-000	MATERIAL REMOVE GAUGE SCALE	3/32"	1
108	010002-000	RETAINING RING	STW-11	1
109	006003-009	FLAT WASHER	5.2-10X1.0	4
111	251437-615	LOCK HANDLE		1
112	150006-000	SPROCKET		2
113	170310-901	PLATE		1
114	001803-102	CAP SCREW & LOCK WASHER	M8-1.25PX20/8.2X13.7	1
115	001901-102	SET NYLOCK SCREW	M5-0.8X8	2
116	280038-901	SPRING		1
117	170738-905	POSITION PLATE		1
118	001602-101	ROUND HEAD PHILLIP SCREW W/WASHER	M5-0.8X10/5X12X0.8	2