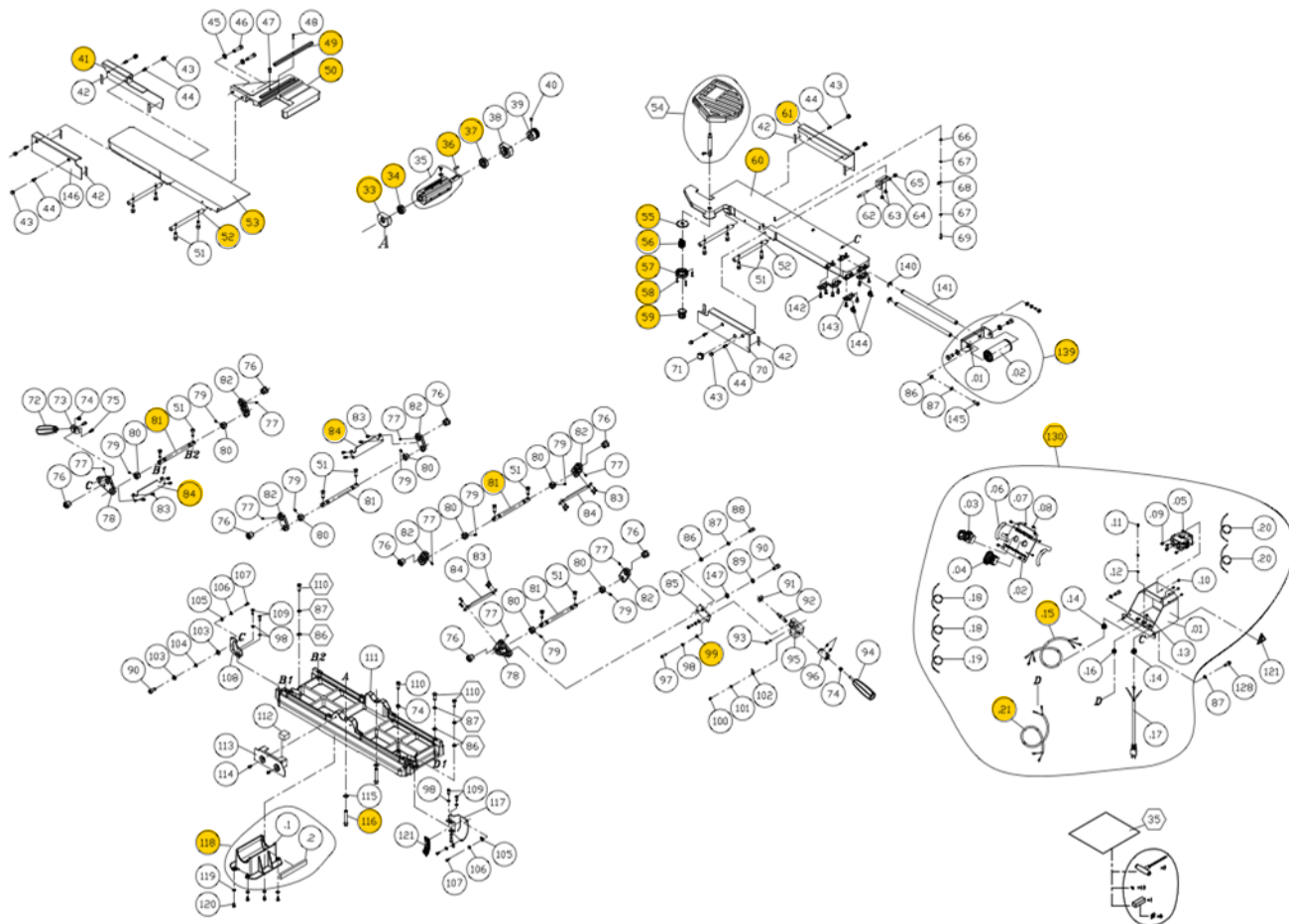
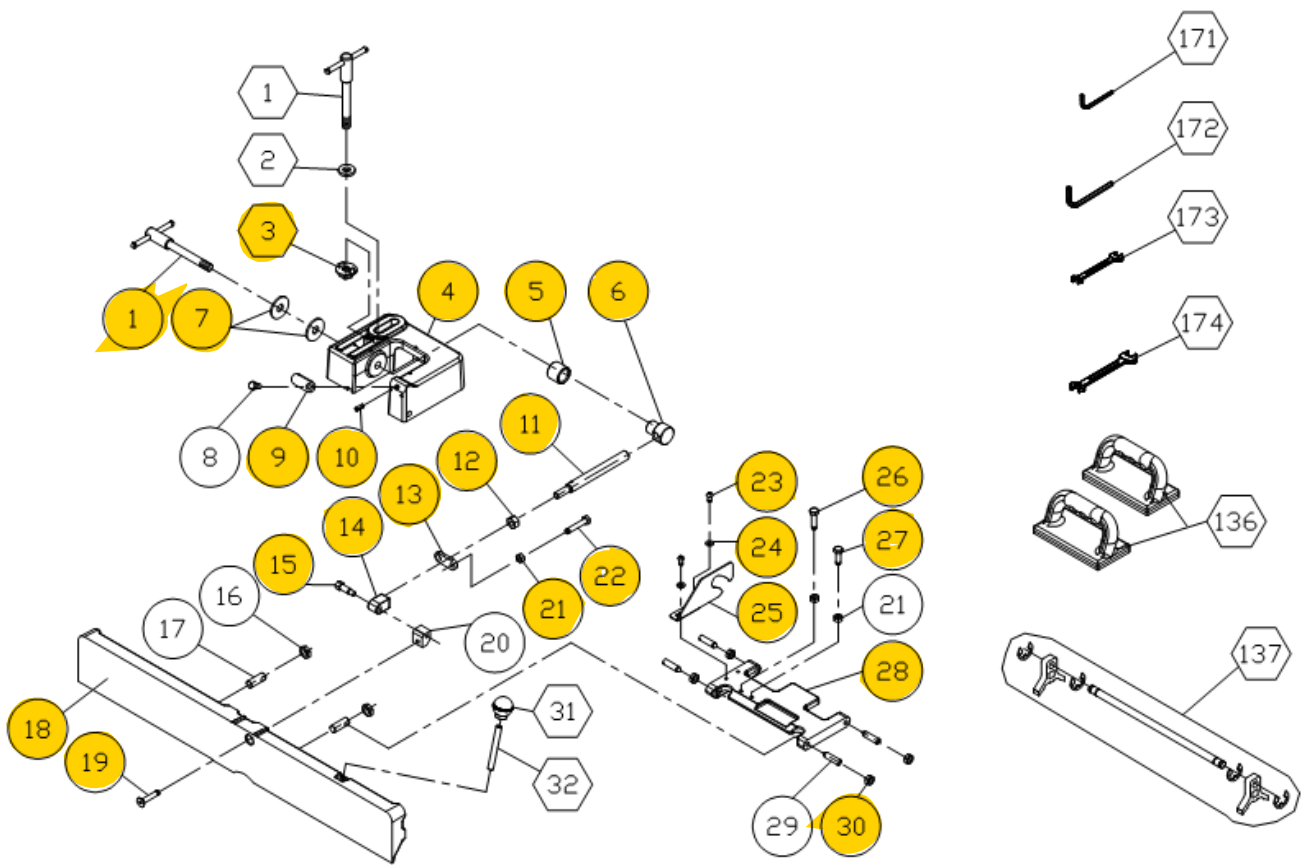


JX6 Quadtec: I Parts

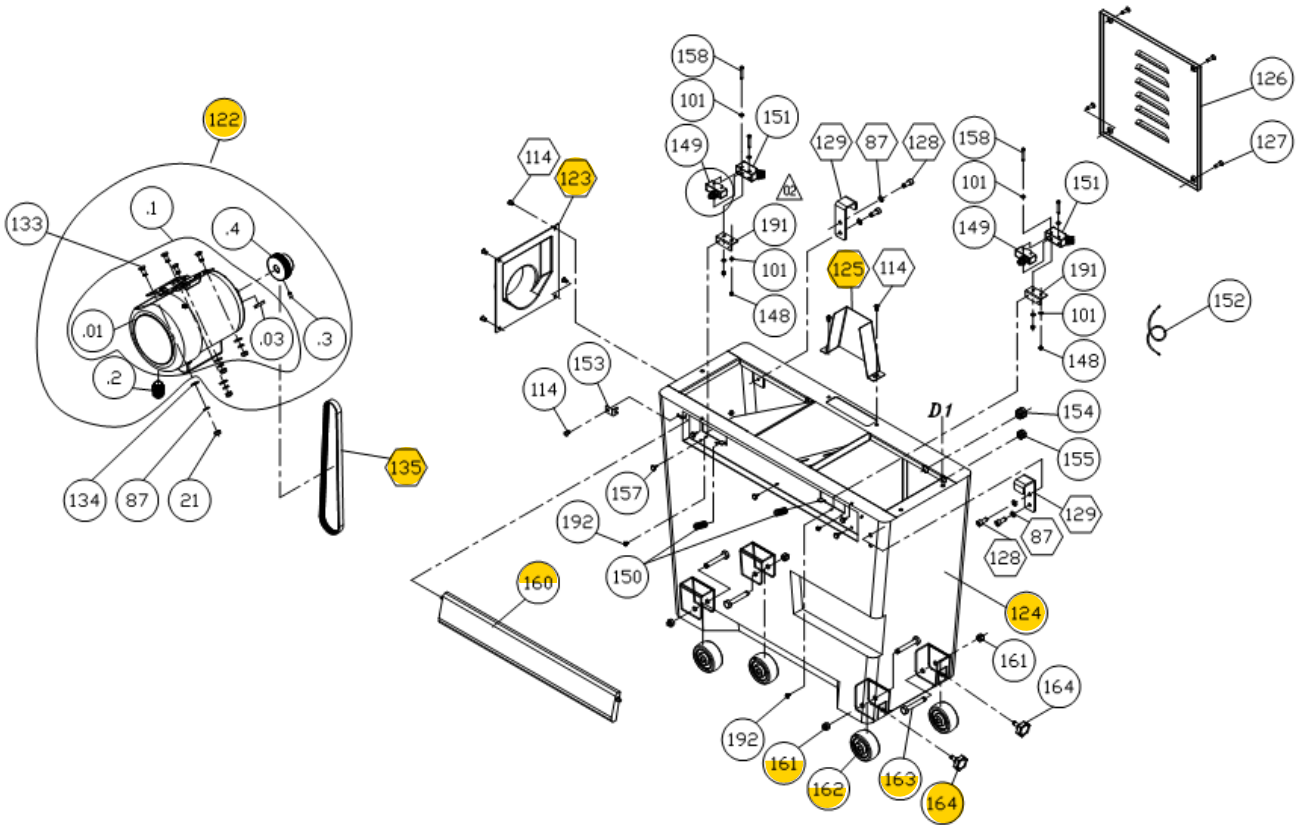
Cutterhead & Drivetrain



Fence



Stand & Motor



REF NO	PART NUMBER	DESCRIPTION	SPECIFICATION	QTY
1	360034-901	LOCK HANDLE		2
2	006003-091	FLAT WASHER	13-28X3.0	1
3	380209-901	T-NUT		1
4	051301-196	FENCE BRACKET - UPPER		1
5	130055-903	SLEEVE		1
6	130009-903	FIXING BLOCK		1
7	006003-097	FLAT WASHER	13.5-40X3.0	2
8	290003-901	BOLT		1
9	170047-901	STOP PLATE		1
10	011002-103	SPRING PIN	4X12	2
11	360068-901	FIXING ROD		1
12	009008-300	HEX NUT	7/16"-14 (17.4BX9.52H)	1
13	170598-901	FENCE STOP		1
14	130007-903	PIVOT		1
15	290004-901	BOLT		1
16	009010-100	HEX NUT	1/2"-20 (19.05BX6.35H)	2
17	360676-901	STUD PIVOT		2
18	051300-196	FENCE		1

REF NO	PART NUMBER	DESCRIPTION	SPECIFICATION	QTY
19	003602-702	FLAT HD. SOC. SCREW	5/16"-18X1-5/8"	1
20	130008-903	PIVOT		1
21	009005-300	HEX NUT	5/16"-18 (12.7BX6.75H)	7
22	003003-708	HEX SCREW	5/16"-18X1-3/4"	1
23	003301-701	PAN HEAD SCREW	1/4"-20X1/2"	2
24	006003-023	FLAT WASHER	6.3-13X2	2
25	170048-901	SAFT PLATE		1
26	003003-706	HEX SCREW	5/16"-18X1-1/4"	1
27	003003-705	HEX SCREW	5/16"-18X1"	1
28	051303-196	TILT PLATE		1
29	230015-901	STUD		4
30	009022-300	HEX NUT	3/8"-16 (13.83BX6.68H)	4
31	250372-615	FENCE TILT KNOB		1
32	360038-901	HANDLE ROD		1
33	050018-901	BEARING HOUSING		1
34	030206-002	BALL BEARING	6202	1
35	925133-001	SEGMENTED CUTTERHEAD	QUADTEC1	1
35	925134-001	SEGMENTED CUTTERHEAD	4 SLOTS	1
	925135-001	KNIFE INSERT	10PCS/BOX	1
	038201-101	TORX SCREW	#10-32X1/2"	
	040710-000	TORX WRENCH	T-25	1
36	012003-009	KEY	5X5X25	1
37	030207-002	BALL BEARING	6203	1
38	050019-901	BEARING HOUSING		1
39	381427-902	PULLEY	6SLOT	1
40	001902-101	SET LOCK SCREW	M6-1.0X10	1
41	174794-196	REAR BASE COVER - L		1
42	200024-615	PACKING		8
43	042505-000	CORD PLUG	HP-13	8
44	000103-102	CAP SCREW	M6*1.0P*10	8
45	006001-163	FLAT WASHER	8.5-19X3	2
46	000104-110	CAP SCREW	M8-1.25X30	2
47	003103-102	CAP SCREW	1/4"-20X1/2"	1
48	011002-105	SPRING PIN	4X20	1
49	380080-000	KEY		1
50	051445-196	FENCE BRACKET		1
51	000104-108	CAP SCREW	M8-1.25X25	16
52	361373-902	SUPPORT SHAFT		4
53	051443-196	OUTFEED TABLE		1
54	920155-001	CUTTERHEAD GUARD ASSEMBLY		1
55	170045-901	RETAINER RING		1
56	280009-000	SPRING		1

REF NO	PART NUMBER	DESCRIPTION	SPECIFICATION	QTY
57	110004-000	RETAINING KNOB		1
58	003305-206	PAN HEAD SCREW	5/32"-32X5/8"	3
59	110024-000	KNOB		1
60	051459-196	TABLE INFEED		1
61	174793-196	REAR BASE COVER - R		1
62	361327-902	HANDLE SHAFT BOLT		1
63	290028-901	SHOULDER SCREW		2
64	174603-902	FIXING PLATE		1
65	009103-100	LOCK NUT	1/4"-20 (11BX8H)	1
66	008004-100	HEX NUT	M5-0.8 (8BX4H)	1
67	006001-009	FLAT WASHER	5.2-10X1.0	2
68	280082-000	TENSION SPRING		1
69	000102-116	CAP SCREW	M5-0.8X15	1
70	174796-196	FRONT COVER - R		1
71	230156-615	KNOB PLUNGER	22 X 1/4-20	1
72	230141-615	HANDLE		1
73	174786-904	PLATE		1
74	008006-100	HEX NUT	M8-1.25 (13BX6.5H)	3
75	000102-104	CAP SCREW	M5-0.8X12	2
76	130350-903	BUSHING		8
77	001901-102	SET LOCK SCREW	M5-0.8X8	8
78	130351-903	CONNECTING ROD PLATE		2
79	001902-102	SET LOCK SCREW	M6-1.0X8	10
80	361241-902	BUSHING		8
81	361374-902	ROD		4
82	130352-903	ROD PLATE		6
83	002603-101	CAP LOCK SCREW	M5-0.8X10	16
84	174790-000	FIXING ROD PLATE		4
85	174784-904	FIXING PLATE		1
86	006001-049	FLAT WASHER	8.5-16X2.0	6
87	006305-100	LOCK WASHER	8.2-13.7	16
88	000104-104	CAP SCREW	M8-1.25X16	1
89	006307-100	LOCK WASHER	10.2-18.5	1
90	000105-101	CAP SCREW	M10-1.5X20	2
91	130393-903	INCLINED BLOCK		1
92	361370-902	HANDLE SHAFT BOLT		1
93	002602-101	CAP LOCK SCREW	M6-1.0X12	1
94	230191-000	MITER GAUGE HANDLE		1
95	310548-911	FIXED BLOCK		1
96	381428-902	BUSHING		1
97	000103-108	CAP SCREW	M6-1.0X25	2
98	006303-100	LOCK WASHER	6.5-10.5	7

REF NO	PART NUMBER	DESCRIPTION	SPECIFICATION	QTY
99	006001-022	FLAT WASHER	6.3-13X1.0	2
100	000302-101	PAN HEAD SCREW	M4-0.7X6	1
101	006001-001	FLAT WASHER	4.3-10X1.0	9
102	174782-156	POINTER		1
103	006003-080	FLAT WASHER	10.5-23X3.0	2
104	006703-100	WAVE WASHER	WW-10	1
105	174785-904	FIXING PLATE		3
106	006502-100	INT. TOOTH WASHER	5.3-10 (BW-5)	3
107	000102-103	CAP SCREW	M5-0.8X10	3
108	174787-904	LOCKING PLATE - L		1
109	000103-105	CAP SCREW	M6-1.0X15	5
110	000003-105	HEX SCREW	M8-1.25X25	1
110	000003-105	HEX SCREW	M8-1.25X25	3
111	051444-196	BASE		1
112	200105-615	SPONGE	30X30X22 (LXWXH)	1
113	174797-196	CUTTERHEAD FRONT COVER		1
114	000801-101	ROUND HEAD HEX SCREW	M6-1.0X10	3
114	000801-101	ROUND HEAD HEX SCREW	M6-1.0X10	6
115	006306-100	LOCK WASHER	9.8-17.8	2
116	003111-302	CAP SCREW	3/8"-24X2-1/2"	2
117	174783-904	LOCKING PLATE - R		1
118	924851-001	CHIP HOOD ASSEMBLY	6"	1
119	006002-032	FLAT WASHER	6.6-13X1.0	4
120	000304-203	PAN HEAD SCREW	M6-1.0X12	4
122	901269-000	MOTOR ASSEMBLY	1.5HP/115V/230V/60HZ/1P H PREWIRED 115V	1
123	250036-615	DUST CHUTE		1
124	174933-196	STAND		1
125	174795-196	PULLEY COVER		1
126	170445-196	COVER		1
127	000403-104	FLAT HEAD PHILLIPS SCREW	M6-1.0X20	4
128	000104-106	CAP SCREW	M8-1.25X20	2
128	000104-106	CAP SCREW	M8-1.25X20	4
129	174695-902	HOOK		2
130	950868-001	CONTROL BOX ASSEMBLY	LAGUNA-QUADTEC I (110-120V)	1
130.1	174936-000	CONTROL BOX	LAGUNA	1
130.2	575554-000	SWITCH PLATE	LAGUNA-QUADTEC I	1
130.3	491153-000	EMERGENCY STOP SWITCH	NPB22-H01R	1
130.4	491223-000	POWER SWITCH	M22DP-SF11W	1
130.5	491186-000	CONTACTOR	SF20C2A (110-120V)	1
130.6	300117-909	SWITCH GUARD		2

REF NO	PART NUMBER	DESCRIPTION	SPECIFICATION	QTY
130.7	000301-101	PAN HEAD SCREW	M3-0.5X6	4
130.8	000804-101	ROUND HEAD HEX. SCREW	M5*0.8P*8	4
130.6	001601-101	ROUND HEAD PHILLIPS SCREW W/WASHER	M4*0.7P*8/4*10*0.8T	4
130.10	008103-100	HEX. CUP NUT	M4*0.7P	4
130.11	000302-101	PAN HEAD SCREW	M4*0.7P*6	1
130.12	006501-100	TEETH WASHER	4.3*8.5(BW-4)	1
130.13	570695-000	GROUNDING LABEL		1
130.14	020005-000	STRAIN RELIEF	SB8R-3	2
130.15	473003-068	CONNECT CORD	SJT 14AWG*3C*2100MM	1
130.16	020008-000	STRAIN RELIEF	SBR5-2	1
130.17	453011-048	POWER CORD	SJT 14AWG*3C*3400MM	1
130.18	471001-001	CONNECT CORD	18AWG*1C*85MM	2
130.19	471037-109	CONNECT CORD	18AWG*1C*200MM	1
130.20	471037-110	CONNECT CORD	18AWG*1C*200MM	2
130.21	472001-056	CONNECT CORD	SJT 18AWG*2C*2000MM	1
133	003801-107	CARRIAGE BOLT	5/16-18X3/4"	4
134	006001-053	FLAT WASHER	8.5-19X2.0	4
135	014367-000	POLY-V-BELT	320J-6	1
136	250035-629	PUSH BLOCK		2
139	925093-001	EXTENSION ROLLER ASSEMBLY	6"	1
140	010208-000	RETAINING RING	ETW-12	2
141	361435-902	EXTENSION ROD		2
142	000103-103	CAP SCREW	M6-1.0X12	8
143	130405-903	BUSHING BLOCK		4
144	250705-000	WING SCREW	M6-1.0P	2
145	000003-104	HEX SCREW	M8-1.25X20	2
146	174792-196	FRONT COVER - L		1
147	006001-069	FLAT WASHER	10X20X3.0	1
148	008301-200	LOCK NUT	M4-0.7 (7BX5H)	4
149	491101-000	LIMIT SWITCH	MJ2-1307	2
150	280274-000	SPRING		2
151	490229-615	COVER FOR LIMIT SWITCH		2
152	471037-103	CONNECT CORD	18AWG/1C/700MM	1
153	174955-904	LIMITED PLATE		1
154	020005-000	STRAIN RELIEF	SB8R-3	1
155	020008-000	STRAIN RELIEF	SBR5-2	1
157	340007-615	BLOCK		5
158	000101-110	CAP SCREW	M4-0.7X30	4
160	174934-156	EMERGENCY STOP PLATE		1
161	009102-100	LOCK NUT	3/8"-16	4
162	250400-000	WHEEL		4

REF NO	PART NUMBER	DESCRIPTION	SPECIFICATION	QTY
163	003005-106	HEX SCREW	3/8"-16X2-1/2"	4
164	004001-101	KNOB		2
171	040003-000	HEX WRENCH	3MM	1
172	040006-000	HEX WRENCH	6MM	1
173	040201-000	OPEN WRENCH	8/10	1
174	040203-000	OPEN WRENCH	11/13	1
191	174932-000	LIMIT SWITCH BRACKET		2
192	002401-101	ROUND HEAD PHILLIPS LOCK SCREW W/WASHER	M4-0.7X12/4-10X0.8	4
193	040203-000	OPEN WRENCH	11/13MM	1