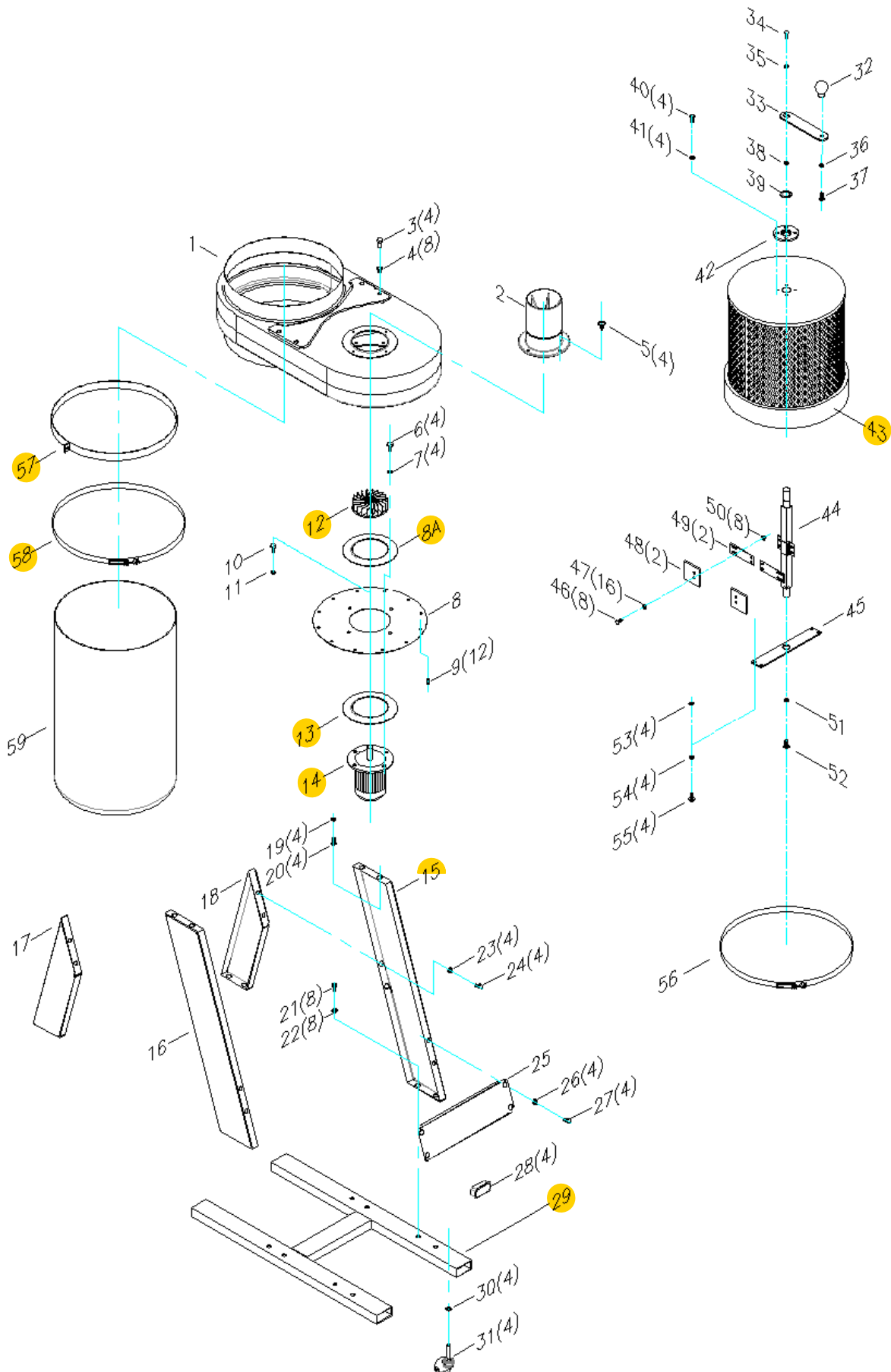


Parts Breakdown



LAGUNA

Part List

Ref No	Part Name	Description	Q'TY
1	DUST CHUTE		1
2	INTAKE SPLITTER	4"	1
3	HEX BOLT	5/16"*3/4"	4
4	NUT	5/16"	8
5	SHEET METAL THREAD BOLT	#8x1/2"	4
6	HEX BOLT	5/16"*3/4"	4
7	FLAT WASHER	5/16"*OD18*2t	4
8	MOTOR BASE SUPPORT		1
8A	GASKET		1
9	HEX SPRING BOLT	5/16"*5/8"	12
10	HEX BOLT	5/16"*3/4"	1
11	FLAT WASHER	5/16"*OD30*3t	1
12	FAN	9"	1
13	MOTOR RUBBER GASKET		1
14	MOTOR	1HP/100V/60HZ/1PHASE	1
15	SIDE SUPPORT – LONG	Right	1
16	SIDE SUPPORT – LONG	Left	1
17	SIDE SUPPORT – SHORT	Left	1
18	SIDE SUPPORT – SHORT	Right	1
19	FLAT WASHER	5/16"*OD18*2t	4
20	HEX BOLT	5/16"*3/4"	4
21	HEX BOLT	5/16"*3/4"	8
22	FLAT WASHER	5/16"*OD18*2t	8
23	FLAT WASHER	5/16"*OD18*2t	4
24	HEX BOLT	5/16"*3/4"	4
25	SUPPORT BRACE		1
26	FLAT WASHER	5/16"*OD18*2t	4
27	HEX BOLT	5/16"*3/4"	4
28	PLUG	30*60mm	4
29	BASE		4
30	FLAT WASHER	3/8"*OD23*2t	4
31	2" WHEEL		4
32	HANDLE	22mmL	1
33	ROTATION ARM		1
34	HEX BOLT	5/16"*3/4"	1
35	FLAT WASHER	5/16"*OD30*3t	1
36	FLAT WASHER	3/8"*OD23*2t	1
37	LOCK NUT	3/8"	1
38	C-SHAPED CLAMP	Ø20	1
39	SEAL	OuterØ30*Inner Ø20*5t	1
40	HEX BOLT	1/4"*3/4"	4

LAGUNA

Ref No	Part Name	Description	Q'TY
41	FLAT WASHER	1/4"*OD19*2t	4
42	BEARING	Ø70* Ø20.5*7t	1
43	CANISTER FILTER	Ø350*300mm	1
44	ROTATION SHAFT		1
45	SUPPPORT PLATE		1
46	HEX BOLT	1/4"*5/8"	8
47	FLAT WASHER	1/4"*OD13*1t	16
48	CANVAS		2
49	PEDAL		2
50	LOCK NUT	1/4"	8
51	FLAT WASHER	5/16"*OD23*2t	1
52	HEX BOLT	5/16"*3/4"	1
53	LOCK NUT	1/4"	4
54	FLAT WASHER	1/4"*OD13*1t	4
55	HEX BOLT	1/4"*3/4"	4
56	ADJUSTABLE BAND CLAMP	Ø350mm	1
57	BLACK SNAP BAND	Ø350mm	1
58	SPRING BAG CLAMP	Ø350mm	1
59	PLASTIC BAG	Ø350mm*980mm	2