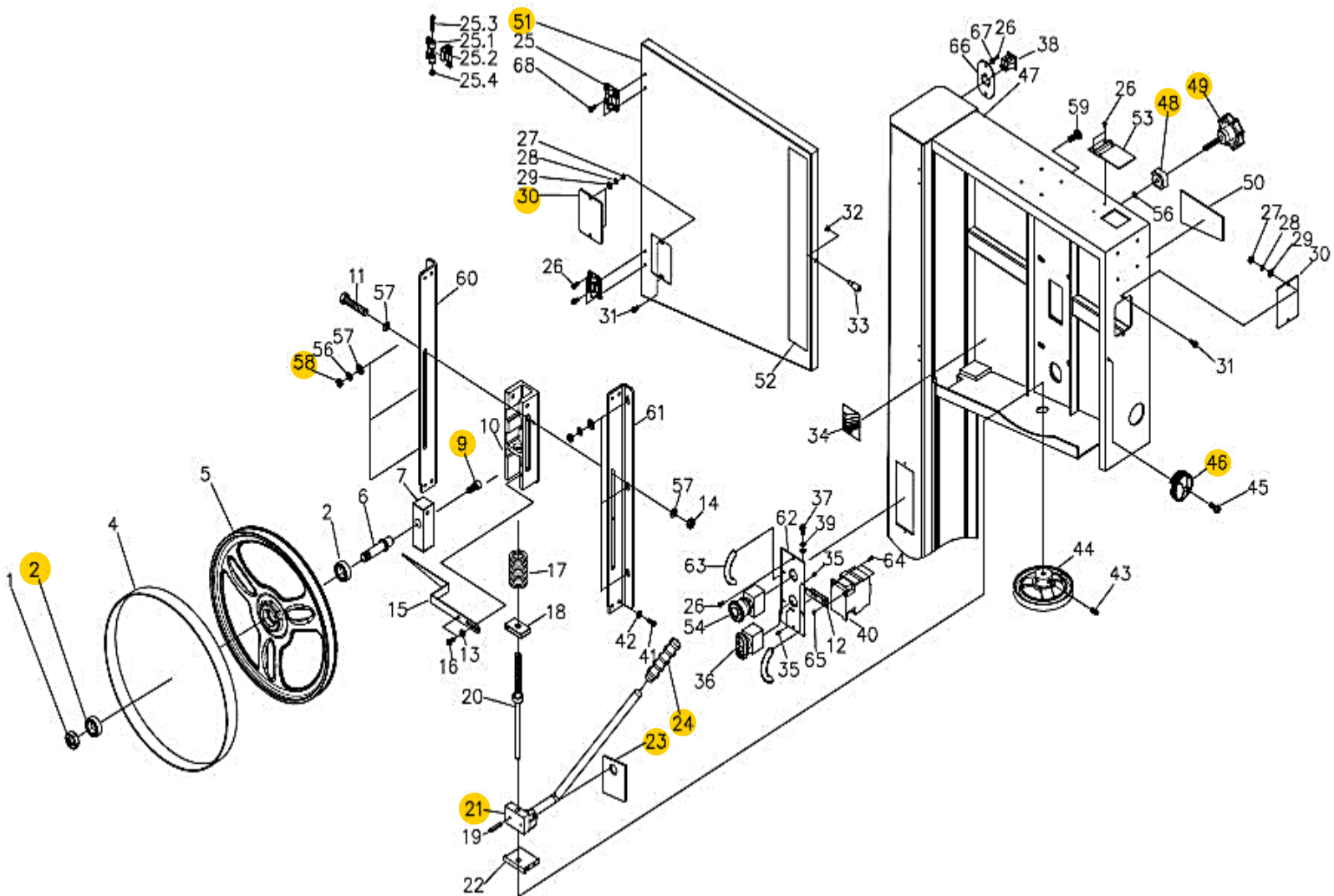


Parts List

Upper Wheel Assembly: (Parts List Below)



Upper Wheel Assembly

<u>Index</u>	<u>Part Number</u>	<u>Item Description</u>	<u>Specifications</u>	<u>Quantity</u>	<u>Dake Part Number</u>
1	PBAND18BX2203-1	Hex Nut	5/8-18UNF-LH	1	
2	PBAND18BX2203-2	Ball Bearing	6204LLU	2	
4	PBAND18BX2203-4	PU Tire		1	
5	PBAND18BX2203-5	Upper Wheel		1	
6	PBAND18BX2203-6	Upper Wheel Shaft		1	
7	PBAND18BX2203-7	Upper Wheel Shaft Bracket		1	
9	PBAND1412-175-9	Socket Head Cap Screw	3/8"-16x5/8"	1	
10	PBAND18BX2203-10	Sliding Bracket		1	
11	PBAND18BX2203-11	Hex Cap Screw	M8x80	1	
12	PBAND1412-175-170	Switch Plate		1	
13	PBAND18BX2203-13	Bushing		1	
14	PBAND18BX2203-14	Nylon Inserted Lock Nut	M8	1	
15	PBAND18BX2203-15	Pointer		1	
16	PBAND18BX2203-16	Special Bolt		2	
17	PBAND18BX2203-17	Spring		1	
18	PBAND18BX2203-18	Bracket		1	
19	PBAND1412-175-19	Pin	Ø4x20	1	
20	PBAND18BX2203-20	Adjusting Screw		1	
21	PBAND18BX2203-21	Blade Tension Arm Assembly		1	
22	PBAND18BX2203-22	Support Block		1	
23	PBAND1412-175-23	Plate		1	
24	PBAND1412-175-24	Handle		1	
25	PBAND1412-175-25	Door Hinge Set		2	
25.1	PBAND1412-175-25-1	Door Hinge, Left		2	
25.2	PBAND1412-175-25-2	Door Hinge, Right		2	

25.3	PBAND1412-175-25-3	Socket Head Cap Screw	M5x0.8x35	2	
25.4	PBAND1412-175-25-4	Nylon Inserted Lock Nut	M5x0.8	2	
26	PBAND1412-175-26	Screw	M3.5x10mm	10	
27	PBAND1412-175-27	Hex Nut	#10-24	4	
28	PBAND1412-175-28	Lock Washer	#10	4	
29	PBAND1412-175-29	Flat Washer	#10	4	
30	PBAND1412-175-30	Tracking Window		2	
31	PBAND1412-175-31	Screw	#10-24x1/2"	4	
32	PBAND1412-175-32	Hex Nut	1/4"-20	1	
33	PBAND1412-175-33	Door Stud		1	
34	PBAND18BX2203-34	Tension Gauge		1	
35	PBAND14BX110-175-35	Phillips Flat Head Screw	M3x6	6	
36	PBAND14BX110-175-36	ON/ OFF Switch		1	
37	PBAND1412-175-37	Screw	M5x0.8x16	2	
38	PBAND1412-175-38	Outlet		1	
39	PBAND1412-175-39	Washer, Lock-Int. Tooth	M5	3	
40	PBAND14BX110-175-40	Contacto		1	
41	PBAND1412-175-41	Hex Cap Screw	1/4"-20x5/8"	4	
42	PBAND1412-175-42	Lock Washer	1/4"	4	
43	PBAND1412-175-43	Set Screw	1/4"-20x3/8"	2	
44	PBAND18BX2203-44	Handwheel		1	
45	PBAND1412-175-45	Screw	1/4"-20x3/4"	1	
46	PBAND1412-175-46	Lock Knob		1	
47	PBAND18CX110175-47	Saw Body		1	
48	PBAND1412-175-48	Lock Knob		1	
49	PBAND1412-175-49	Adjusting Knob		1	
50	PBAND1412-175-50	Tension Label		1	
51	PBAND18BX2203-51	Upper Door		1	
52	PBAND18CX110175-52	Logo Label		1	
53	PBAND1412-175-53	Hinge Cover		1	

54	PBAND14BX110-175-54	Emergency Stop		1	
55	PBAND1412-175-55	Warning Label		1	
56	PBAND1412-175-2-13	Lock Washer	5/16"	7	
57	PBAND1412-175-2-11	Flat Washer	5/16"	8	
58	PBAND1412-175-3-38	Hex Nut	5/16"-18	6	
59	PBAND18BX2203-59	Carriage Bolt	5/16-18x1"	6	
60	PBAND18BX2203-60	Upper Wheel Bracket- Left		1	
61	PBAND18BX2203-61	Upper Wheel Bracket- Right		1	
62	PBAND18CX110175-62	Control Panel		1	
63	PBAND14BX110-175-63	Handle		2	
64	PBAND14BX110-175-64	Hex Cap Screw	M4x0.7x12	2	
65	PBAND14BX110-175-65	Hex Nut	M4x0.7	2	
66	PBAND14BX110-175-66	Plate		1	
67	PBAND14BX110-175-67	Washer, Lock-Int. Tooth	M4	2	
68	PBAND14BX110-175-68	Screw	M4x0.7x8	4	

Table and Fence Assembly: (Parts List Below)

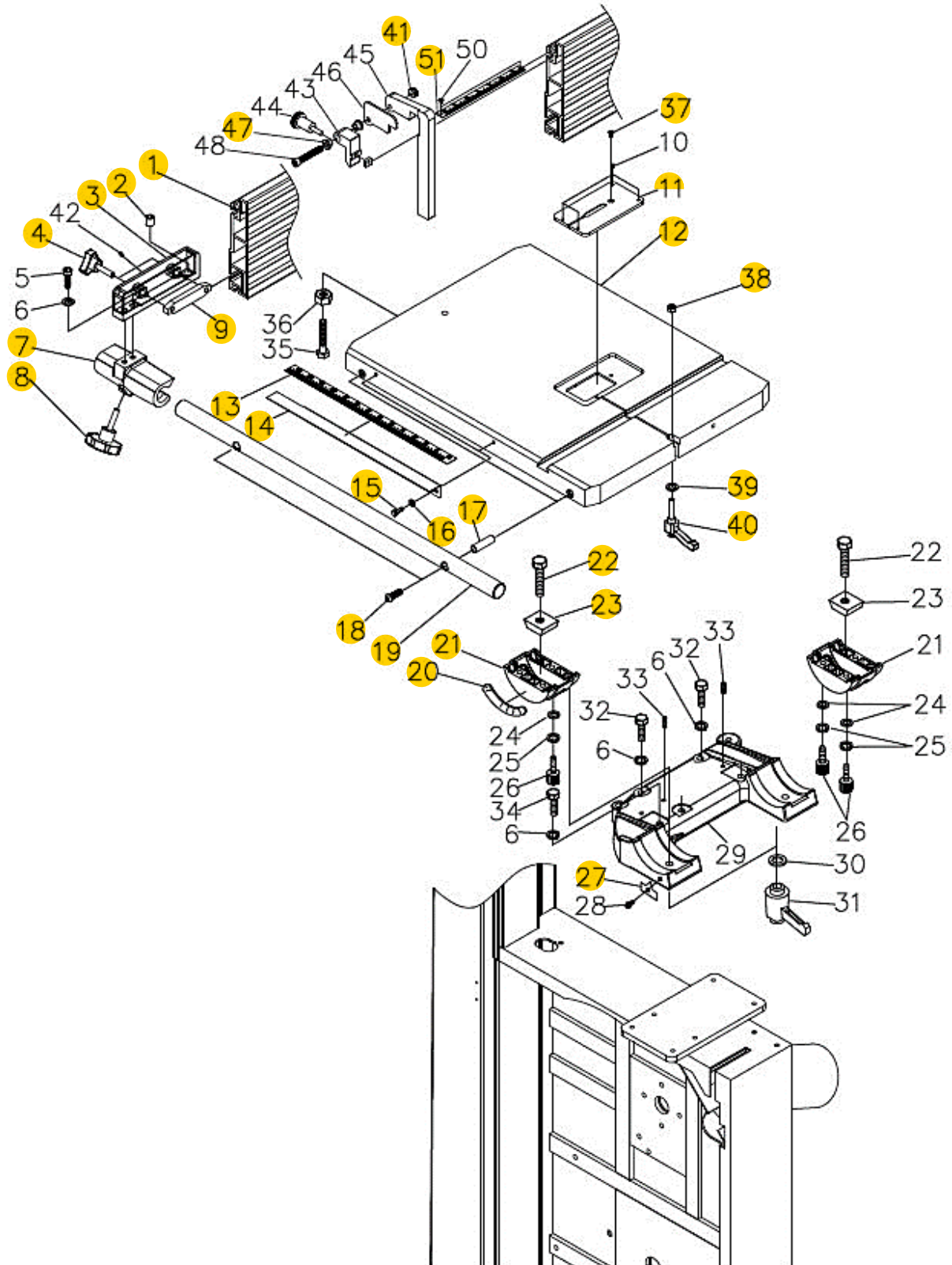


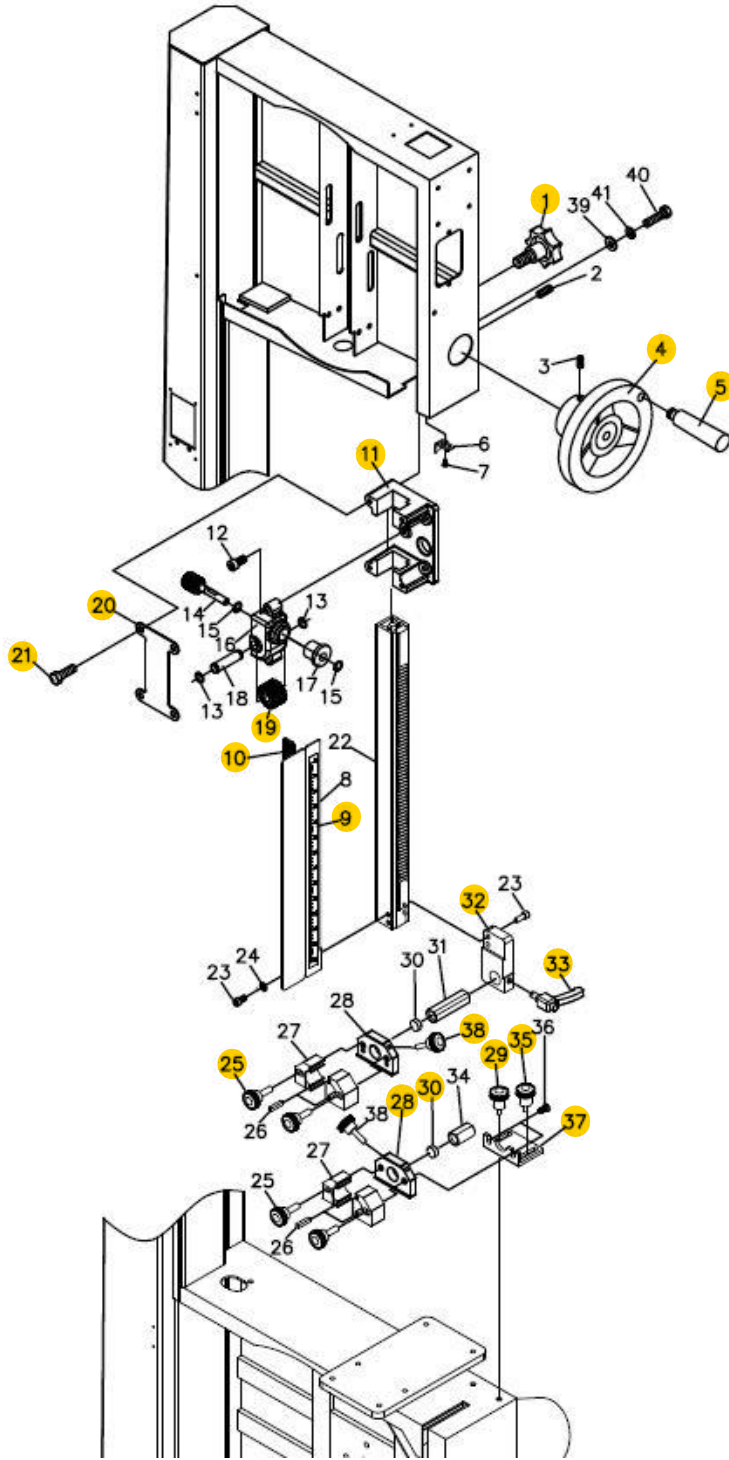
Table & Fence Assembly Parts List

<u>Index</u>	<u>Part Number</u>	<u>Dake Part Number</u>	<u>Item Description</u>	<u>Specifications</u>	<u>Quantity</u>
1	PBAND18BX2203-3-1		Aluminum Fence		1
2	PBAND1412-175-3-2		Plastic Adjusting Screw		1
3	PBAND1412-175-3-3		Fence Body		1
4	PBAND1412-175-3-4		Lock Knob		2
5	PBAND1412-175-3-5		Socket Head Cap Screw	5/16"-18x3/4"	3
6	PBAND1412-175-2-13		Lock Washer	5/16"	10
7	PBAND1412-175-3-7		Fence Head		1
8	PBAND18BX2203-3-8		Lock Knob		1
9	PBAND1412-175-3-9		Lock Bar		1
10	PBAND1412-175-3-10		Set Screw	M4x0.7x4	4
11	PBAND1412-175-3-11		Table Insert		1
12	PBAND18BX2203-3-12		Table		1
13	PBAND18BX2203-3-13		Scale		1
14	PBAND18BX2203-3-14		Scale Plate		1
15	PBAND1412-175-3-15		Hex Cap Screw	M5x0.8x10	2
16	PBAND1412-175-29		Flat Washer	M5	2
17	PBAND1412-175-3-17		Bushing		2
18	PBAND1412-175-3-18		Socket Head Cap Screw	5/16"-18x2-1/2"	2

19	PBAND18BX2203-3-19		Steel Tube		1
20	PBAND1412-175-3-20		Scale		1
21	PBAND1412-175-3-21		Trunnion		2
22	PBAND1412-175-3-22		Hex Cap Screw	M10x1.5x50	2
23	PBAND1412-175-3-23		Slide Block		2
24	PBAND1412-175-3-24		Flat Washer	1/4"	6
25	PBAND1412-175-2-42		Lock Washer	1/4"	6
26	PBAND1412-175-3-26		Socket Head Cap Screw	M6x1x16	6
27	PBAND1412-175-3-27		Pointer		1
28	PBAND1412-175-3-28		Screw	M5x0.8x8	1
29	PBAND1412-175-3-29		Bracket		1
30	PBAND1412-175-2-42		Flat Washer	3/8"	2
31	PBAND1412-175-3-31		Lock Handle		2
32	PBAND1412-175-3-32		Hex Cap Screw	5/16"-18x1-1/4"	3
33	PBAND1412-175-3-33		Set Screw	5/16"-18x5/8"	2
34	PBAND1412-175-3-34		Hex Cap Screw	5/16"-18x1-3/4"	3
35	PBAND1412-175-3-35		Hex Cap Screw	3/8"-16x2"	1
36	PBAND1412-175-3-36		Hex Nut	3/8"-16	1
37	PBAND1412-175-3-37		Phillips Flat Head Screw	M4x0.7x8	1
38	PBAND1412-175-3-38		Hex Nut	5/16"-18	1

39	PBAND1412-175-2-11		Flat Washer	5/16"	1
40	PBAND1412-175-3-40		Lock Handle		1
41	PBAND18BX2203-3-41		Nylon Inserted Lock Nut	5/16-18UNC	1
42	PBAND1412-175-3-42		Set Screw	1/4"-20x1/4"	2
43	PBAND18BX2203-3-43		Fence Stop Hinge		1
44	PBAND18BX2203-3-44		Lock Handle		1
45	PBAND18BX2203-3-45		Fence Stop-A		1
46	PBAND18BX2203-3-46		Fence Stop-B		1
47	PBAND1412-175-6-26		Bushing		2
48	PBAND18BX2203-3-48		Socket Head Cap Screw	5/16-18UNCx2"	1
49	PBAND18BX2203-3-49		Square Nut	1/4-20UNC	1
50	PBAND18BX2203-3-50		Screw	M3x0.5x4	2
51	PBAND18BX2203-3-51		Scale		1

Upper & Lower Blade Guides Assembly: (Parts List Below)



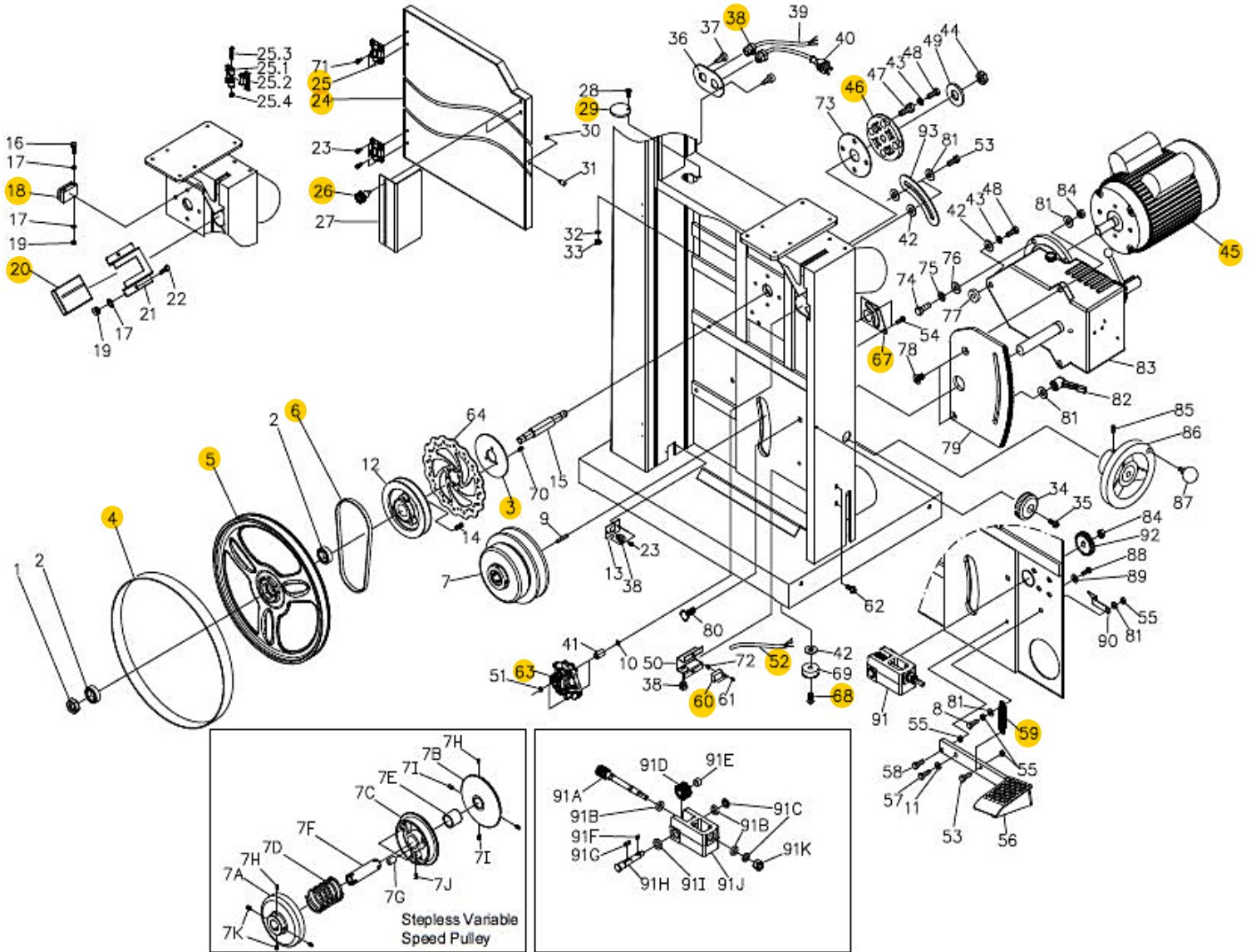
Upper & Lower Blade Guides Assembly Parts List

<u>Index</u>	<u>Part Number</u>	<u>Dake Part Number</u>	<u>Item Description</u>	<u>Specifications</u>	<u>Quantity</u>
1	PBAND1412-175-4-1		Lock Knob		1
2	PBAND1412-175-2-8		Set Screw	5/16"-18x3/8"	2
3	PBAND1412-175-43		Set Screw	1/4"-20x3/8"	1
4	PBAND1412-175-4-4		Hand wheel		1
5	PBAND1412-175-4-5		Handle		1
6	PBAND18BX2203-4-6		Pointer		1
7	PBAND1412-175-4-7		Screw	1/4"-20x3/8"	1
8	PBAND18BX2203-4-8		Upper Blade Guard		1
9	PBAND18BX2203-4-9		Height Scale		1
10	PBAND18BX2203-4-10		Magnet		1
11	PBAND1412-175-4-11		Guide Bar Bracket		1
12	PBAND1412-175-4-12		Socket Head Cap Screw	5/16"-18x1-1/4"	2
13	PBAND1412-175-4-13		C-Ring	S12	2
14	PBAND1412-175-4-14		Worm		1

15	PBAND1412-175-4-15		E-Ring	E8	2
16	PBAND1412-175-4-16		Gear Base		1
17	PBAND1412-175-4-17		Bushing		1
18	PBAND1412-175-4-18		Shaft		1
19	PBAND1412-175-4-19		Gear		1
20	PBAND1412-175-4-20		Plate		1
21	PBAND1412-175-4-21		Socket Head Button Screw	5/16"-18x1/2"	4
22	PBAND18BX2203-4-22		Guide Bar		1
23	PBAND1412-175-4-23		Socket Head Cap Screw	1/4"-20x5/8"	4
24	PBAND1412-175-42		Lock Washer	1/4"	2
25	PBAND1412-175-4-25		Lock Knob		4
26	PBAND1412-175-4-26		Ceramic Guide		8
27	PBAND1412-175-4-27		Adjusting Block		4
28	PBAND1412-175-4-28		Fixed Block		2
29	PBAND1412-175-4-29		Lock Knob		1
30	PBAND1412-175-4-30		Ceramic Guide		2
31	PBAND1412-175-4-31		Support Shaft		1
32	PBAND1412-175-4-32		Guide Bracket		1
33	PBAND1412-175-4-33		Lock Handle		1
34	PBAND1412-175-4-34		Support Shaft		1

35	PBAND1412-175-4-35		Lock Knob		1
36	PBAND1412-175-4-36		Socket Head Button Screw	1/4"-20x1/2"	2
37	PBAND18BX2203-4-37		Base		1
38	PBAND1412-175-4-38		Special Bolt		2
39	PBAND1412-175-2-11		Flat Washer	5/16"	4
40	PBAND1412-175-4-40		Hex Cap Screw	5/16"-18x1"	4
41	PBAND1412-175-2-13		Lock Washer	5/16"	4

Lower Wheel & Motor Assembly: (Parts List Below)



Lower Wheel & Motor Assembly Parts List

Lower Wheel & Motor Assembly Parts List

<u>Index</u>	<u>Part Number</u>	<u>Dake Part Number</u>	<u>Item Description</u>	<u>Specifications</u>	<u>Quantity</u>
1	PBAND18BX2203-1		Hex Nut	5/8-18UNF-LH	1
2	PBAND18BX2203-2		Ball Bearing	6204LLU	2
3	PBAND18BX2203-2-3		Plate		1
4	PBAND18BX2203-4		PU Tire		1
5	PBAND18BX2203-2-5		Lower Wheel		1
6	PBAND18CX110175-2-6		V-Belt		1
7	PBAND18CX110175-2-7		Motor Pulley, Variable Speed		1
7A	PBAND18CX110175-2-7A		Motor Pulley, Cover		1
7B	PBAND18CX110175-2-7B		Motor Pulley, Holder		1
7C	PBAND18CX110175-2-7C		Motor Pulley, Slide		1
7D	PBAND18CX110175-2-7D		Motor Pulley, Spring		1
7E	PBAND18CX110175-2-7E		Motor Pulley, Bushing		1
7F	PBAND18CX110175-2-7F		Motor Pulley, Coupling		1
7G	PBAND18CX110175-2-7G		Motor Pulley, Plastic Support Post		3
7H	PBAND1412-175-2-8		Motor Pulley, Set Screw	5/16"-18x3/8"	4
7I	PBAND18CX110175-2-7I		Motor Pulley, Pin	6x16	2
7J	PBAND18CX110175-2-7J		Motor Pulley, Pin	5x10	1
7K	PBAND18CX110175-2-7k		Motor Pulley, Pin	6x12	2
8	PBAND18CX110175-2-8		Hex Cap Screw	3/8-16UNCx1-3/4"	1
9	PBAND18CX110175-2-9		Key	7x7x100	1

10	PBAND14BX110-175-2-10		Flat Washer	1/4"	2
76	PBAND1412-175-2-11		Flat Washer	5/16"	2
12	PBAND18CX110175-2-12		Spindle Pulley		1
13	PBAND14BX110-175-2-13		Plate		1
14	PBAND14BX110-175-2-14		Phillips Flat Head Screw	5/16"-18x1-1/2"	3
15	PBAND18BX2203-2-15		Lower Spindle		1
16	PBAND1412-175-2-16		Hex Cap Screw	M5x0.8x30	2
17	PBAND1412-175-29		Flat Washer	M5	6
18	PBAND1412-175-2-18		Brush		1
19	PBAND1412-175-2-19		Hex Nut	M5x0.8	4
20	PBAND1412-175-2-20		Insert Block		1
21	PBAND1412-175-2-21		Shelf		1
22	PBAND1412-175-2-22		Hex Cap Screw	M5x0.8x12	2
23	PBAND1412-175-26		Screw	M3.5x10mm	6
24	PBAND18BX2203-2-24		Lower Door		1
25	PBAND1412-175-25		Door Hinge Set		2
25.1	PBAND1412-175-25-1		Door Hinge, Left		2
25.2	PBAND1412-175-25-2		Door Hinge, Right		2
25.3	PBAND1412-175-25-3		Socket Head Cap Screw	M5x0.8x35	2
25.4	PBAND1412-175-25-4		Nylon Inserted Lock Nut	M5x0.8	2
26	PBAND1412-175-2-26		Lock Knob		2

27	PBAND18BX2203-2-27		Lower Blade Guard		1
28	PBAND1412-175-2-28		Screw	1/4"-20x3/4"	1
29	PBAND1412-175-2-29		Plate		1
30	PBAND1412-175-32		Hex Nut	1/4"-20	1
31	PBAND1412-175-33		Door Stud		1
32	PBAND1412-175-2-32		Flat Washer	1/4"	1
33	PBAND1412-175-2-33		Nylon Inserted Lock Nut	1/4"-20	1
34	PBAND1412-175-46		Lock Knob		1
35	PBAND1412-175-45		Screw	1/4"-20x3/4"	1
36	PBAND1412-175-2-36		Plate		1
37	PBAND1412-175-2-37		Screw	#10-24x3/8"	2
38	PBAND1412-175-2-38		Strain Relief	6N-4	4
39	PBAND14BX110-175-2-39		Motor Cord		1
40	PBAND14BX110-175-2-40		Power Cord		1
41	PBAND14BX110-175-2-76		Bushing		2
42	PBAND1412-175-2-42		Flat Washer	3/8"	7
43	PBAND1412-175-8		Lock Washer	3/8"	5
44	PBAND18BX2203-2-44		Hex Nut	3/4"-16UNF	1
45	PBAND18CX110175-2-45		Motor		1
	PBAND14BX110-175-2-45MF		Motor Fan (not shown)		1
	PBAND14BX110-175-2-45MFC		Motor Fan Cover (not shown)		1
	PBAND14BX110-175-2-45JB		Junction Box (not shown)		1

	PBAND14BX110-175-2-45JBC		Junction Box Cover (not shown)		1
46	PBAND1412-175-2-46		Spindle Holder		1
47	PBAND1412-175-2-47		Adjusting Screw		4
48	PBAND1412-175-2-48		Hex Cap Screw	3/8"-16x1-3/4"	5
49	PBAND18BX2203-2-49		Flat Washer	3/4"	1
50	PBAND18BX2203-2-50		Switch Cover		1
51	PBAND14BX110-175-2-51		Hex Nut	M6x1.0	2
52	PBAND14BX110-175-2-52		Limited Switch Cord		1
53	PBAND14BX110-175-2-53		Hex Cap Screw	3/8"-16x3/4"	3
54	PBAND14BX110-175-2-54		Hex Cap Screw	M6x1.0x35	2
55	PBAND1412-175-3-36		Hex Nut	3/8"-16	4
56	PBAND18CX110175-2-56		Foot Brake		1
57	PBAND14BX110-175-2-57		Hex Cap Screw	5/16-18UNCx1/2	1
58	PBAND14BX110-175-2-58		Hex Cap Screw	3/8-16UNCx1-1/4"	1
59	PBAND14BX110-175-2-59		Spring		1
60	PBAND14BX110-175-2-60		Limited Switch		1
61	PBAND14BX110-175-2-61		Screw	M3x20mm	2
62	PBAND14BX110-175-2-62		Screw	1/4"-20x3/8"	2
63	PBAND14BX110-175-2-63		Brake Assembly		1

	PBAND14BX110-175-2-63P		Brake Pad (not shown), 2 pieces		
64	PBAND14BX110-175-2-64		Disc		1
65	PBAND14BX110-175-2-65		Inner Cable		1
66	PBAND14BX110-175-2-66		Housing		1
67	PBAND14BX110-175-2-67		Plate		1
68	PBAND14BX110-175-2-68		Socket Head Button Screw	3/8"-16 x1"	4
69	PBAND14BX110-175-2-69		Rubber Pad		4
70	PBAND14BX110-175-2-70		Socket Head Button Screw	M5x0.8x12	3
71	PBAND14BX110-175-68		Screw	M4x0.7x8	4
72	PBAND14BX110-175-2-72		Spacer		2
73	PBAND14BX110-175-2-73		Plate		1
74	PBAND1412-175-4-40		Hex Cap Screw	5/16-18UNCx1"	4
75	PBAND1412-175-2-13		Lock Washer	5/16"	4
76	PBAND1412-175-2-11		Flat Washer	5/16"	4
77	PBAND18CX110175-2-77		spacer sleeve		1
78	PBAND18CX110175-2-78		Phillips Flat Head Screw	3/8-16UNCx1-1/2"	2
79	PBAND18CX110175-2-79		Gear Plate		1
80	PBAND18CX110175-2-80		Carriage Bolt	3/8-16UNCx1-1/4"	1
81	PBAND18CX110175-2-81		Flat Washer	3/8"	7

82	PBAND18CX110175-2-82		Lock Handle		1
83	PBAND18CX110175-2-83		Gear Box Assembly		1
84	PBAND18CX110175-2-84		Nylon Inserted Lock Nut	3/8-16UNC	3
85	PBAND1412-175-43		Set Screw	1/4"-20UNCx3/8"	1
86	PBAND18CX110175-2-86		Handwheel		1
87	PBAND18CX110175-2-87		Knob		1
88	PBAND18CX110175-2-88		Hex Cap Screw	5/16-18UNCx5/8"	4
89	PBAND18CX110175-2-89		Flat Washer	5/16"	4
90	PBAND18CX110175-2-90		Pointer		1
91	PBAND18CX110175-2-91		Worm Gear Assembly		1
91A	PBAND18CX110175-2-91A		Worm		1
91B	PBAND18CX110175-2-91B		Ball Bearing	6801ZZ	3
91C	PBAND18CX110175-2-91C		spacer sleeve		2
91D	PBAND18CX110175-2-91D		Gear		1
91E	PBAND18CX110175-2-91E		spacer sleeve		1
91F	PBAND18CX110175-2-91F		Key	4x4x8mm	1
91G	PBAND18CX110175-2-91G		Key	4x4x18mm	1
91H	PBAND18CX110175-2-91H		Shaft		1
91I	PBAND18CX110175-2-91I		Ball Bearing	6802ZZ	1
91J	PBAND18CX110175-2-91J		Gear Bracket		1

91K	PBAND18CX110175-2-91K		Nylon Inserted Lock Nut	M12x1.75	1
92	PBAND18CX110175-2-92		Gear		1
93	PBAND18CX110175-2-93		Plate		1
94	PBAND18CX110175-2-94		Speed Label		1