





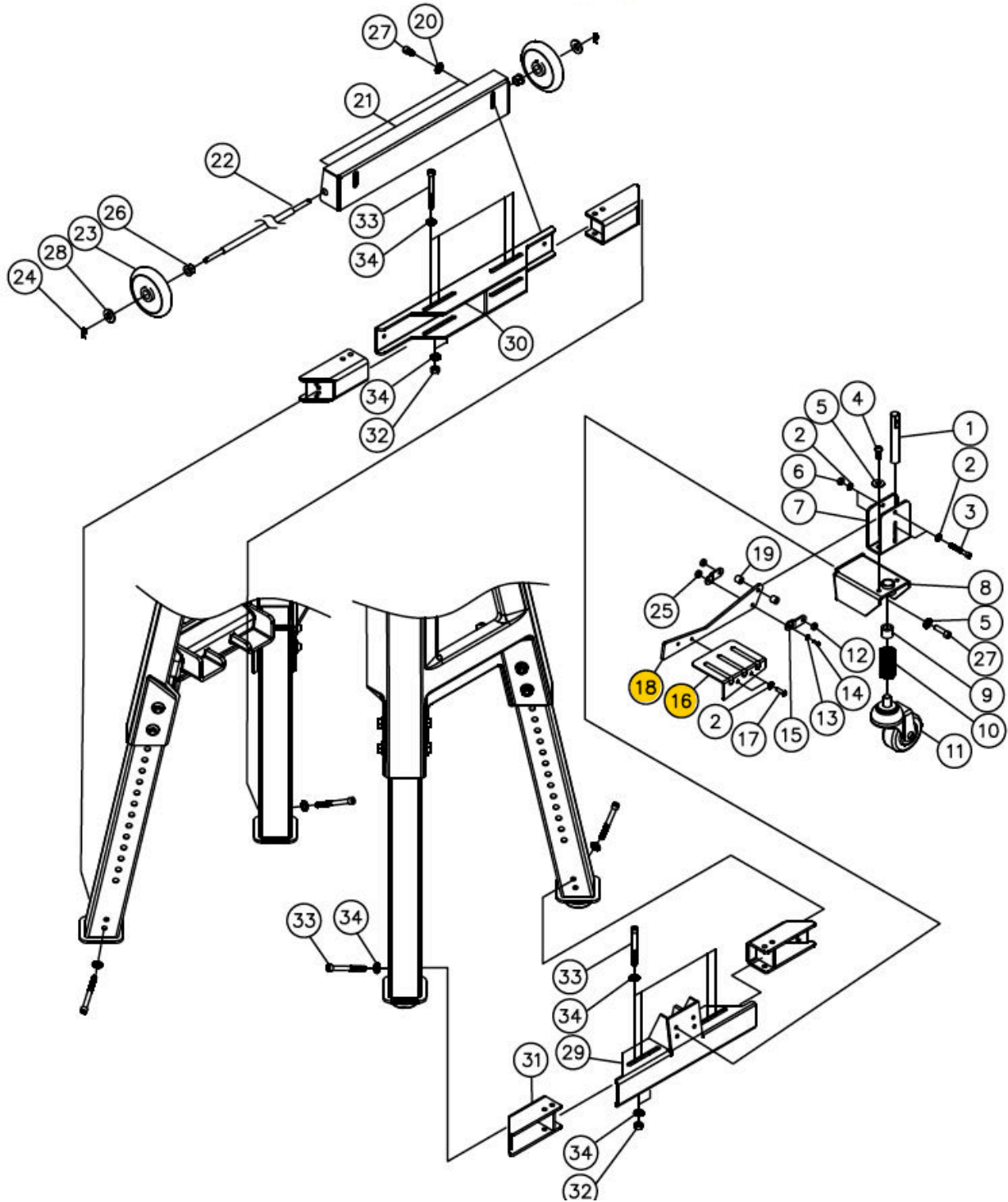
## Parts Table

INDEX.....	PART NUMBER.....	DESCRIPTION .....	SPECIFICATION .....	QTY
1.....	415241-101.....	Headstock.....		1
2.....	415241-102.....	Spindle.....		1
3.....	PLAREVO1216-109.....	Magnetic Ring.....		1
4.....	PLAREVO1216-113.....	Spindle Pulley.....		1
5.....	415241-105.....	Control Panel.....		1
6.....	PLAREVO1216-131.....	Digital Readout.....		1
7.....	PLAREVO1216-139.....	Speed Knob.....		1
8.....	PLAREVO1836-170.....	ON/ OFF Switch.....		1
9.....	415241-109.....	Fwd/Rev Switch.....		1
10.....	PLAREVO1836-1129.....	Handle.....		2
11.....	415241-111.....	Spindle Lock Plunger.....		1
12.....	PLAREVO1836-191.....	C-Ring.....	R22.....	1
13.....	PLAREVO1836-103.....	Spring.....		1
14.....	PLAREVO1836-132.....	Disc, Spindle Lock.....		1
15.....	PLAREVO1836-1141.....	Socket Flat Head Screw.....	M3x8.....	1
16.....	PLAREVO1836-175.....	Ball Bearing.....	6205LLU.....	1
17.....	415241-117.....	Ball Bearing.....	6206LLU.....	1
18.....	415241-118.....	Motor Plate.....		1
19.....	415241-119.....	DC Motor.....		1
19A.....	PLAREVO1216-158A.....	Magnetic Ring.....		1
19B.....	415241-119B.....	Carbon Brush.....		2
19C.....	415241-119C.....	Motor Sensor.....		1
20.....	PLAREVO1216-154.....	Motor Pulley.....		1
21.....	415241-121.....	Flat Washer.....	D10xD23x2t.....	16
22.....	PLAREVO1836-120.....	Lock Handle.....		1
23.....	PLAREVO1836-111.....	Headstock Locking Handle.....		1
24.....	415241-124.....	Door Hinge.....		1
25.....	415241-125.....	Door.....		1
26.....	PLAREVO1836-115.....	Sleeve.....		2
27.....	PLAREVO1836-114.....	Clamp Bolt.....		3
28.....	PLAREVO1836-119.....	Clamp.....		2
29.....	PLAREVO1836-1110.....	Nylon Insert Lock Nut.....	M18x2.5.....	3
30.....	PLAREVO1836-1145.....	Cap.....		4
31.....	PLAREVO1836-116.....	Rubber Sleeve.....		2
32.....	PLAREVO1836-160.....	Rubber Sleeve.....		2
33.....	415241-133.....	Bottom Plate, Control Board Box.....		1
34.....	415241-134.....	Control Board.....		1
35.....	415241-135.....	Cover, Control Board Box.....		1
36.....	415241-136.....	Digital Readout Sensor.....		1
37.....	PLAREVO1216-117.....	Handwheel.....		1
38.....	PLAREVO1216-118.....	Index Pin.....		1
39.....	PLAREVO1216-119.....	Spring.....		1
40.....	415241-140.....	Control Box.....		1
41.....	415241-141.....	Screw.....	M4x12.....	4
42.....	PLAREVO1836-1104.....	Screw.....	M3x8.....	4
43.....	415241-143.....	Phillips Flat Head Screw.....	M5x15.....	4
44.....	PLAREVO1836-1115.....	Lock Washer.....	3/8".....	1
45.....	PLAREVO1836-195.....	Socket Head Cap Screw.....	3/8-16UNCx1".....	1
46.....	PLAREVO1216-135.....	Socket Head Button Screw.....	M3x20.....	2
47.....	PLAREVO1836-1109.....	Flat Washer.....	D3xD8x1t.....	2
48.....	PLAREVO1836-1107.....	Screw.....	M3x4.....	2

49	PLAREVO1836-1128	Spacer		2
50	PLAREVO1836-1127	Screw	M3x12	2
51	PLAREVO1836-189	E-Ring	E15	4
52	PLAREVO1836-117	Knob		1
53	PLAREVO1836-193	Hex Cap Screw	3/8-16UNCx1/2"	1
54	PLAREVO1836-1119	Set Screw	1/4-20UNCx3/8	3
55	PLAREVO1216-107	Key	5x5x25	2
56	PLAREVO1836-1101	Set Screw	1/4-20UNCx1/4	6
57	PLAREVO1836-1140	Thimble		1
58	PLAREVO1836-124	Spur Center		1
59	PLAREVO1836-1124	Set Screw	M6x6	1
60	PLAREVO1836-113	3" Faceplate		1
61	PLAREVO1216-189	Strain Relief	SB5M-2	1
62	PLAREVO1216-190	Strain Relief	6P-4	1
63	PLAREVO1836-1117	Strain Relief	7N-2	1
64	415241-164	Cord Holder		1
65	PLAREVO1216-193	Washer, Lock-Int. Tooth	#10	2
66	PLAREVO1216-197	Screw	#10-32UNFx1/2"	2
67	415241-167	Power Cord		1
68	415241-168	Bed		1
69	415241-169	Tailstock		1
70	PLAREVO1216-176	Tailstock Tool Caddy		1
71	415241-171	Adjusting Block		1
72	415241-172	Lead Screw		1
73	415241-173	Quill		1
74	PLAREVO1216-173	Lock Handle		1
75	415241-175	Handwheel		1
76	PLAREVO1216-174	Stop Bolt		3
77	415241-177	Tailstock Locking Handle		1
78	PLAREVO1836-181	Knob		1
79	415241-179	Flat Washer	D8xD18x2t	8
80	PLAREVO1836-1122	Screw	5/16-18UNCx1/2"	2
81	PLAREVO1836-185	Key	6x6x30	2
82	PLAREVO1216-168	Live Center Assembly		1
83	415241-183	Tool Rest Support Base		1
84	PLAREVO1836-183	Bushing		1
85	PLAREVO1836-188	E-Ring	E19	2
86	415241-186	Tool Rest Locking Handle		1
87	PLAREVO1836-1135	Clamp		1
88	PLAREVO1836-153	Lock Handle		1
89	415241-189	12" Tool Rest		1
90	415241-190	Leg		2
91	415241-191	Tube, Leg		4
92	PLAREVO1836-197	Socket Head Cap Screw	5/16-18UNCx1"	8
93	415241-193	Lock Washer	5/16"	8
94	415241-194	Socket Head Button Screw	M10x90	8
95	415241-195	Nut	M10	8
96	415241-196	Knockout Rod		1
97	PLAREVO1216-1104	Knob		1
98	PLAREVO1216-1105	O-Ring	P12	1
99	415241-199	Nut	#10-32UNF	2
100	415241-1100	Screw	M3x6	4
101	PLAREVO1216-1110	Pan Head Self-Tapping Screw	M3x8	2

102.....	PLAREVO1216-138 .....	O-Ring .....	P22 .....	1
103.....	415241-1103 .....	Poly- V Belt .....	PJ6-180.....	1
104.....	PLAREVO1836-1136.....	Handle, Faceplate.....		1
105.....	PLAREVO1836-1112.....	Flat Washer.....	D10xD23x2t .....	8
106.....	415241-1106 .....	Leveling Foot.....		4
107.....	PLAREVO1836-1111.....	Hex Nut .....	3/8-16UNC .....	4
108.....	PLAREVO1216-110 .....	Wave Washer .....	6202 .....	1
109.....	PLAREVO1836-184 .....	Wave Washer .....	6205 .....	1
110.....	415241-1110 .....	Adjusting Block .....		1
111.....	415241-1111 .....	Socket Head Button Screw .....	3/16-24UNCx1-1/4" .....	4
112.....	415241-1112 .....	C-Ring .....	S25 .....	1
113.....	415241-1113 .....	Tracking Window .....		1
114.....	PLAREVO1836-1152.....	Screw .....	M4x6 .....	2
115.....	415241-1115 .....	Main Switch .....		1
116.....	415241-1116 .....	Outlet.....		1
117.....	PLAREVO1836-1126.....	Socket Head Button Screw .....	3/8-16UNCx5/8" .....	2
118.....	PLAREVO1836-150 .....	Tool Caddy .....		1
122.....	415241-1122 .....	Bushing .....		4
123.....	415241-1123 .....	Control Cord.....		1
124.....	415241-1124 .....	Nylon Washer .....		4
125.....	415241-1125 .....	Strain Relief .....	SB5M-1.....	2
126.....	PLAREVO1836-1138.....	Strain Relief .....	6N-4.....	2
127.....	PLAREVO1836-1151.....	Magnet .....		1
128.....	415241-1128 .....	Socket Head Button Screw .....	3/16-24UNCx1/2" .....	1

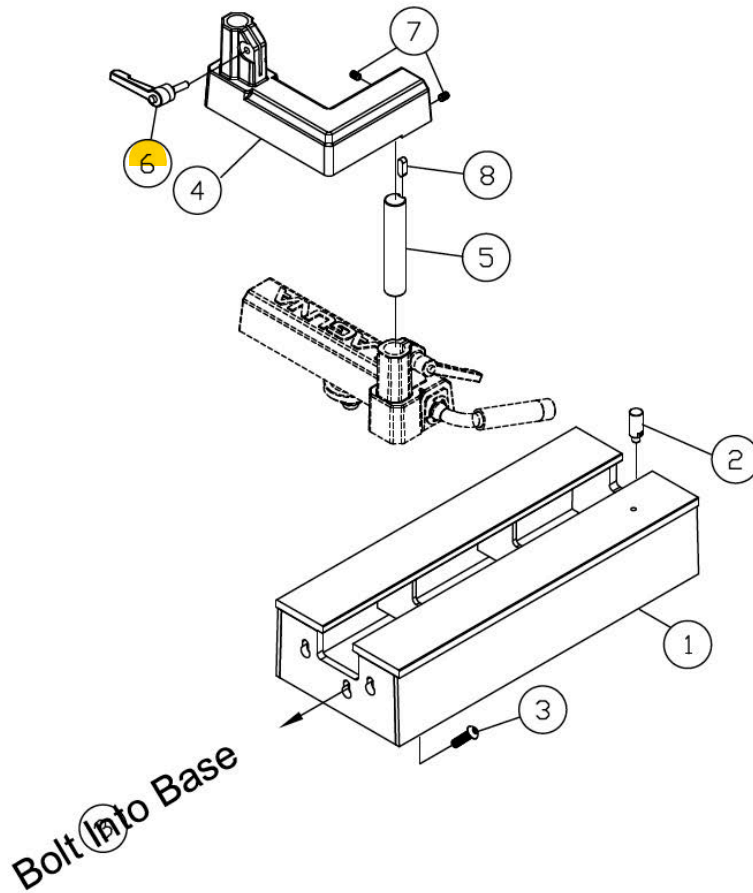
## OPTIONAL Wheel System



INDEX.....	PART NUMBER.....	DESCRIPTION .....	SPECIFICATION .....	QTY
1.....	PBAND1412-175-6-1.....	Rod .....		1
2.....	PBAND1412-175-6-2.....	Flat Washer.....	1/4".....	6
3.....	PBAND1412-175-6-3.....	Socket Head Cap Screw .....	1/4"-20UNCx1-3/4".....	2
4.....	PBAND1412-175-6-4.....	Socket Head Button Screw .....	5/16"-18UNCx1/2" .....	2
5.....	PBAND1412-175-6-5.....	Flat Washer.....	5/16".....	6
6.....	PBAND1412-175-6-6.....	Nylon Inserted Lock Nut .....	1/4"-20UNC .....	2
7.....	PBAND1412-175-6-7.....	Fixed Plate .....		1
8.....	PBAND1412-175-6-8.....	Wheel Bracket.....		1
9.....	PBAND1412-175-6-9.....	DU Bearing .....	MB1620DU.....	1
10.....	PBAND1412-175-6-10 .....	Spring.....		1
11.....	PBAND1412-175-6-11 .....	Caster.....		1
12.....	PBAND1412-175-6-12 .....	Spacer.....		2

13.....	PBAND1412-175-6-13 .....	Flat Washer.....	M5.....	1
14.....	PBAND1412-175-6-14 .....	Screw .....	M5x0.8x20 .....	1
15.....	PBAND1412-175-6-15 .....	Connecting Plate .....		2
16.....	PBAND1412-175-6-16 .....	Foot Pedal.....		1
17.....	PBAND1412-175-6-17 .....	Socket Head Button Screw .....	1/4"-20UNCx3/8" .....	2
18.....	PBAND1412-175-6-18 .....	Plate.....		1
19.....	PBAND1412-175-6-19 .....	Spacer.....		2
20.....	415241-220.....	Flat Washer.....	5/16" .....	2
21.....	PBAND18BX2203-6-21.....	Support Plate.....		1
22.....	PBAND18BX2203-6-22.....	Rod .....		1
23.....	PBAND18BX2203-6-23.....	Wheel .....		2
24.....	PBAND18BX2203-6-24.....	Cotter pin .....	2x25mm.....	2
25.....	PBAND1412-175-6-25 .....	Nylon Inserted Lock Nut .....	M5x0.8 .....	1
26.....	PBAND18BX2203-6-26.....	Bushing .....		2
27.....	415241-227.....	Socket Head Cap Screw .....	5/16"-18UNCx3/4" .....	6
28.....	PBAND18BX2203-6-28.....	Flat Washer.....	1/2" .....	2
29.....	415241-229.....	Wheel Bracket.....		1
30.....	415241-230.....	Wheel Bracket.....		1
31.....	415241-231.....	Slide Bracket.....		4
32.....	415241-232.....	Hex Nut .....	5/16"-18UNC.....	8
33.....	415241-233.....	Socket Head Cap Screw .....	5/16-18UNCx3".....	16
34.....	415241-179.....	Flat Washer.....	M8.....	24

## OPTIONAL Expansion Set



INDEX.....	PART NUMBER.....	DESCRIPTION .....	SPECIFICATION .....	QTY
1.....	PLAREVO1836-301 .....	20" Bed Extension .....		1
2.....	PLAREVO1216-174 .....	Stop Bolt .....		1
3.....	PLAREVO1836-303 .....	Socket Head Button Screw .....	3/8-16UNCx1".....	3
4.....	415241-304.....	Tool Rest Support Base, Extension.....		1
5.....	415241-305.....	Shaft .....		1
6.....	PLAREVO1836-153 .....	Lock Handle.....		1
7.....	415241-307.....	Set Screw .....	5/16-18UNCx1/2" .....	2
8.....	PLAREVO1836-186 .....	Key.....	8x7x25 .....	1