

18|CX



Owner's Manual
18CX Bandsaw
MBAND18CX110175

lagunatools.com | lagunacleanair.com | supermaxtools.com

LAGUNA

Registration

To prevent voiding this warranty, all products sold must be registered within thirty (30) days of receiving the product. All registered purchases will receive notifications about important product changes, receive customer service, and be able to file a warranty claim against defective workmanship, parts, or materials. You must register your purchase! Please follow this link:

<https://lagunatools.com/policies/warranty/>

Length of Warranty

All new machines and optional accessories sold through an authorized dealer carry a two-year warranty effective the date of receiving the product. Machines sold for either commercial or industrial use have a one-year warranty. Wearable parts like throat plates, band-saw guides, etc., have a ninety-day warranty.

Aside from being free of defects upon receiving, consumable parts, like cutters and abrasives, are not covered by this warranty unless otherwise stated by Laguna Tools. These parts are designed to be used at the expense of the operator and are available for replacement or inventory purchase. The determination of a consumable part will be made on a case-by-case basis by Laguna Tools.

2 Year – New Machines Sold Through an Authorized Dealer

2 Year – Accessories Sold as Machine Options (excluding blades)

1 Year – Machines Sold for Commercial or Industrial Use

1 Year – Blades and Accessories outside of Machine Options

90 Days – Wearable Parts

Who is Covered

The applicable warranty covers only the initial purchaser of the product from the date of receiving the product. To file such claims, the original purchaser must present the original receipt as proof of purchase.

What is Covered

The warranty covers any defects in the workmanship of all parts and materials that make up the machine unless otherwise specified. Any part, determined by Laguna Tools®, to have a defect will be repaired or replaced (and shipped), without charge. The defective item must be returned to Laguna Tools with the complaint and proof of purchase and in the original packaging. In the event the item is determined to be not covered by this warranty, the customer will be responsible for the cost to replace the item/part and all related shipping charges.

Warranty Limitations

This limited warranty does not apply to natural disasters, acts of terrorism, normal wear and tear, product failure due to lack of maintenance or cleaning, damage caused by accident, neglect, or inadequate dust collection. The warranty may be voided against proof of misuse/abuse, damage caused where repair or alterations have been made or attempted by others, using the product for purposes other than those described as intended use (unless with consent by Laguna Tools®), modification to the product, or use with an accessory that was not designed for the product. It is the responsibility of the user to understand basic woodworking machinery settings and procedures and to properly maintain the equipment in accordance with the standards provided in this manual.

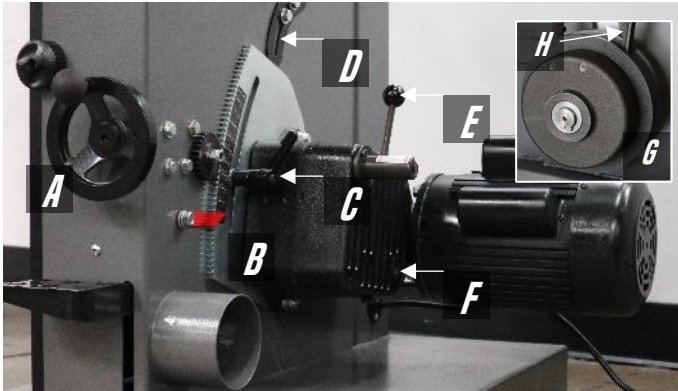
Shipping Damage

Laguna Tools® is not responsible for damage or loss caused by a freight company or other circumstances not in the direct control of Laguna Tools. All shipping-related claims for loss or damage goods must be made to Laguna Tools within twenty-four hours of delivery.

How to Receive Support

To file a warranty claim, please contact the warranty department at 1-949-474-1200. To receive customer service or technical support please contact the customer service department at 1-800-332-4094. Warranty parts are shipped at the expense of Laguna Tools either by common carrier, FedEx ground services or similar method. Technical support to install replacement parts is primarily provided by phone, fax, email, or the Laguna Tools Customer Support Website.





A	Variable Speed Hand Wheel (to adjust speed). NOTE: Only adjust speed when the saw is turned on and running.
B	Speed Indicator
C	Gear Plate Lock (to lock the speed in place). WARNING: You must engage this lock directly after adjusting the speed.
D	Higher Limit Stop
E	Speed gearing tab. Engage left for low gear (lower blade speed range). Engage right for high gear (faster blade speed range).
F	Oil indication window
G	Spindle pulley assembly sleeve
H	V-Belt

NOT SHOWN: Oil fill plug. Identified with red cap on top gear box.

Blade Speed Ranges in surface feet per minute (FPM)

High Gear Range	1200 - 3500 FPM
Low Gear Range	100 - 290 FPM

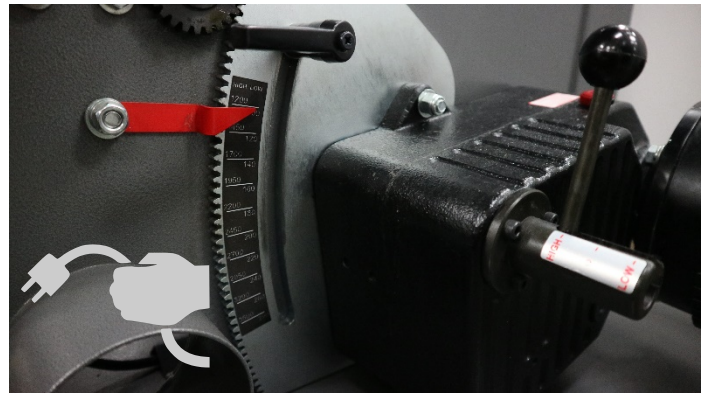
The variable speed of this bandsaw is achieved using a spindle pulley assembly sleeve and a gear box. When adjusting the speed with the hand wheel, the beveled spindle pulleys move relative as a v-belt moves up (or down) the diameter of the pulleys as the gap expands. There are two gear sets available on the 18CX saw. To switch between the two:

! *Use Caution: Adjust the speed gearing with the saw turned off. Adjust the speed (with hand wheel) only while the saw is in on and running. Vice-Versa will cause damage to the machine and could injure the operator*

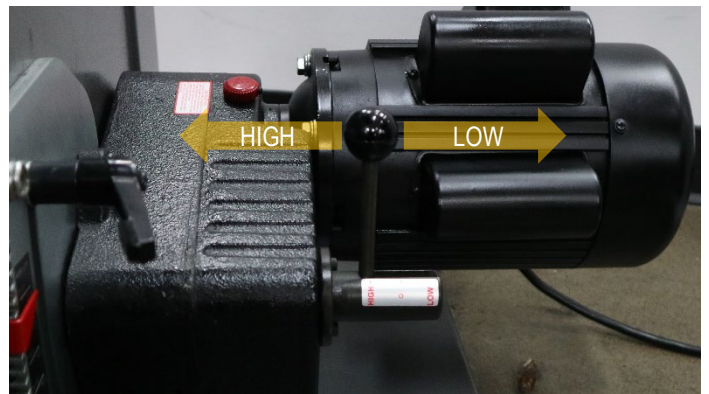
Use Caution: Never start the 18CX saw with slack in the belt. Doing so can cause machine damage as the belt is forced to pull through the slack.

CHANGING THE SPEED GEARING (SAW TURNED OFF)

1. Turn the saw in the off position. Make sure it stays off while changing the gearing.
2. Adjust from high to low or from low to high. The middle setting has no action. **NOTE:** If the gear is stubborn to move, use caution and slightly turn the lower wheel of the bandsaw. Doing this simultaneously while attempting to change the gearing works best.



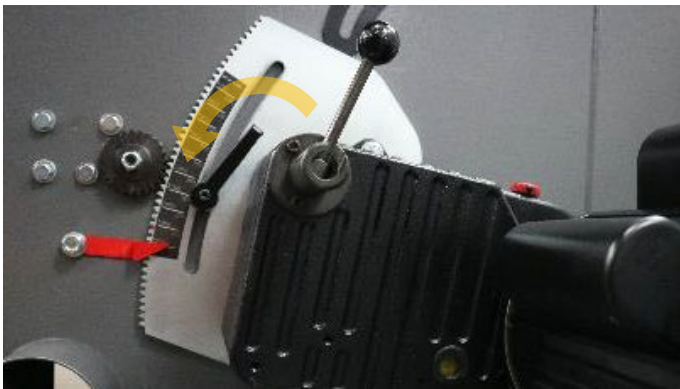
1. Turn the saw in the off position. Make sure it stays off while changing the gearing.



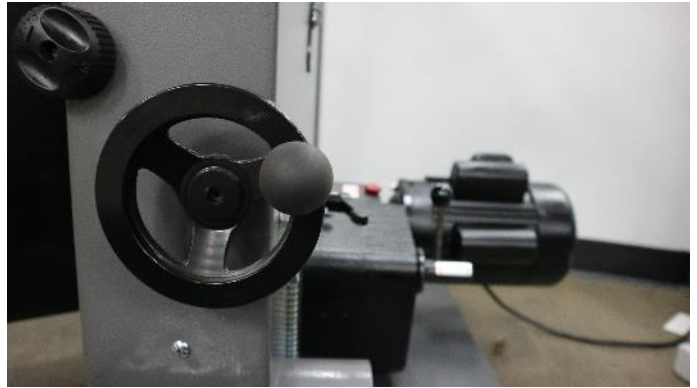
2. Adjust from high to low or from low to high. The middle setting has no action. If the adjustment is stubborn, remember that these are gear cogs fitting into one another. Turn the lower bandsaw wheel and re-try. It works best to apply force to the adjustment handle and slowly spin the bandsaw wheel, simultaneously.

CHANGING THE BLADE SPEED WITH THE HAND WHEEL (SAW ON, AND RUNNING)

1. Make sure the saw is geared (high or low) and turn the saw on.
2. With the saw powered on, running, and in either the high or low gear setting (not neutral), disengage the gear plate lock (Index **C**) by rotating CCW ¼- to ½ turn.
3. Slowly rotate the handwheel CW to increase the speed, or CCW to decrease the speed.
4. Reengage the lock immediately after adjusting speed.



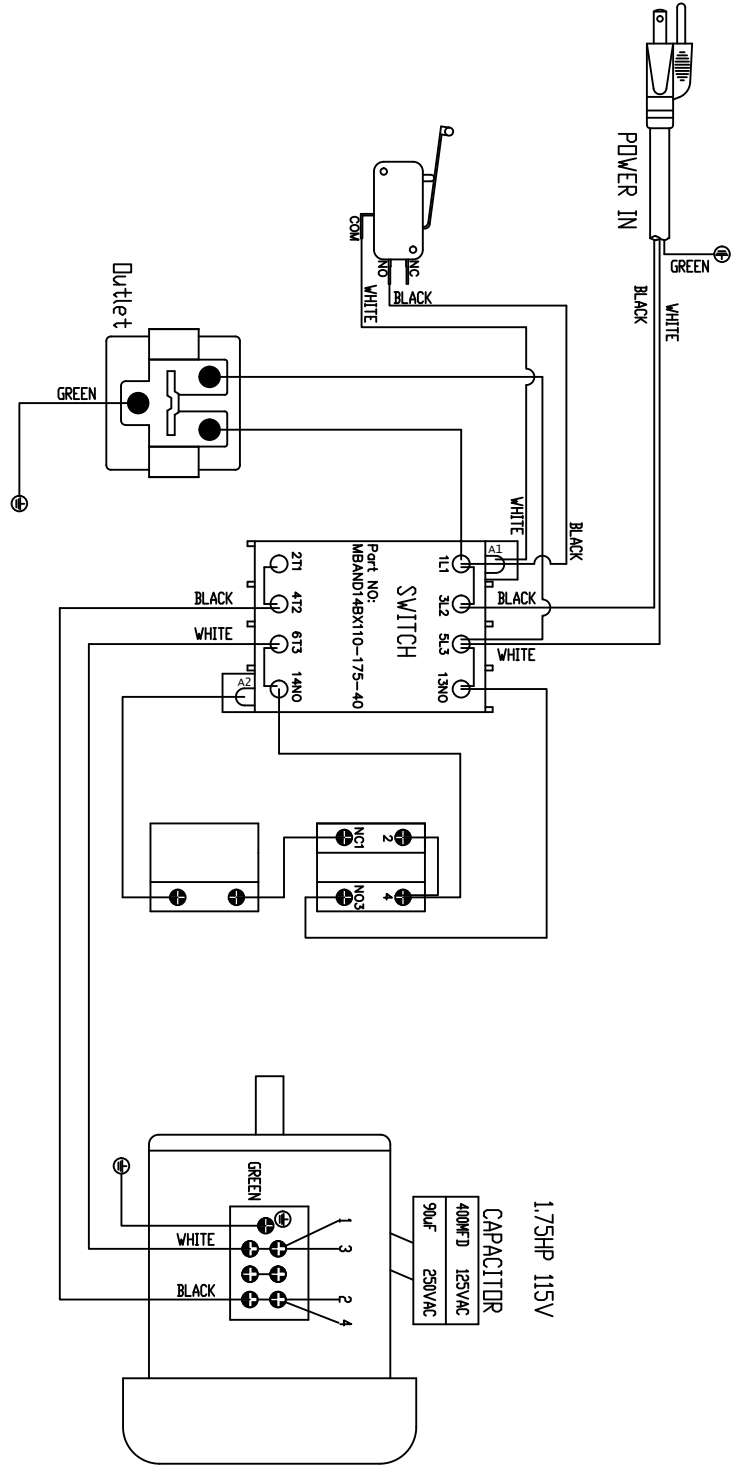
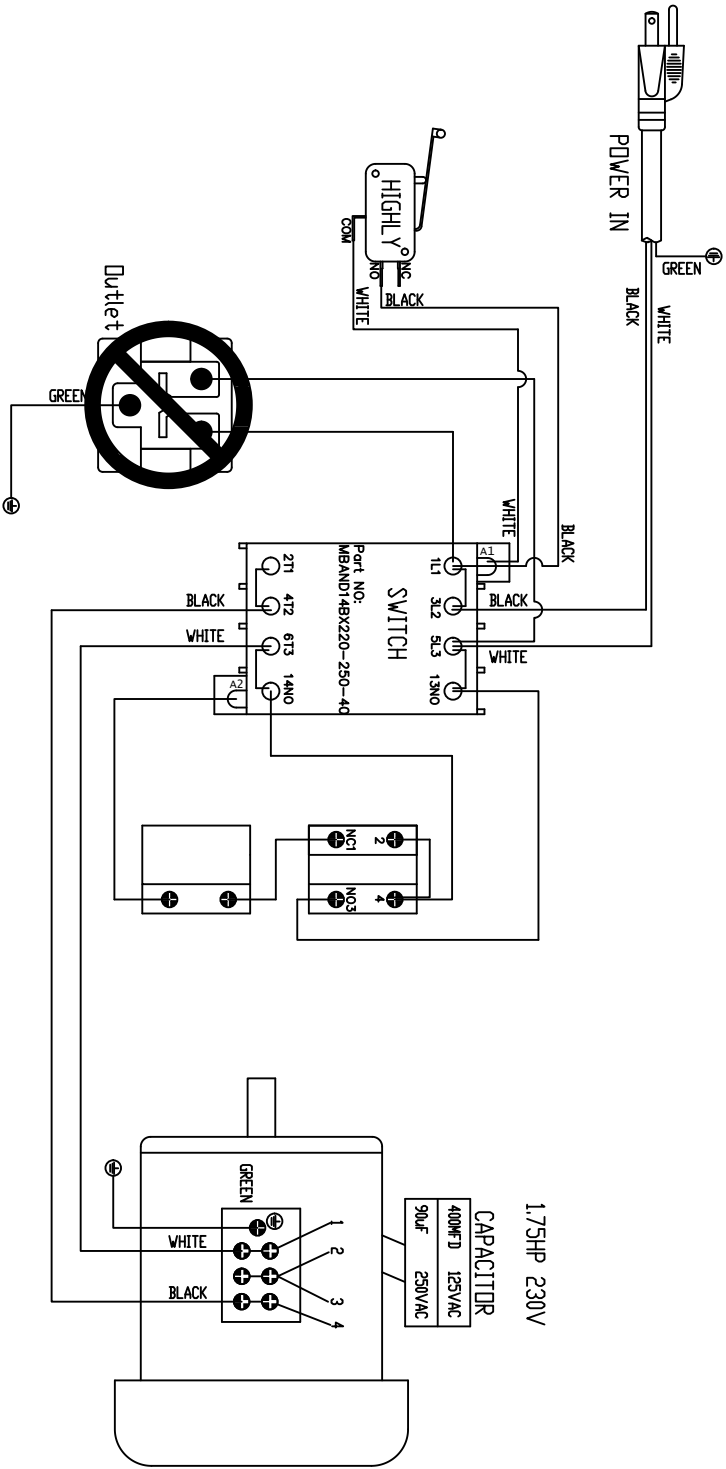
- 1,2. With the saw turned on, geared and running, disengage the gear plate lock (Index **C**) by rotating CCW ¼- to ½ turn. **USE CAUTION:** loosening the too much will cause excessive play and could result in damage.

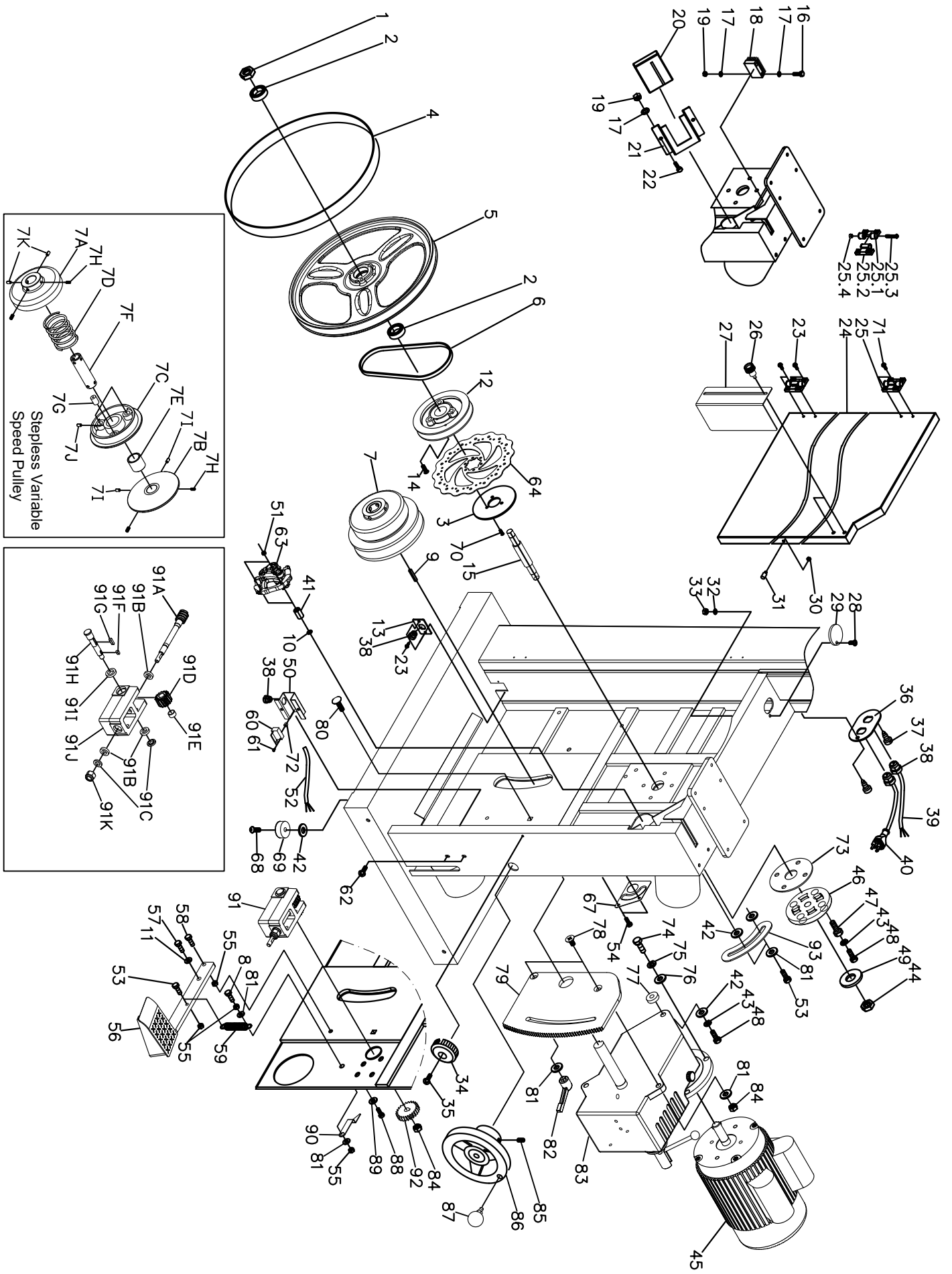


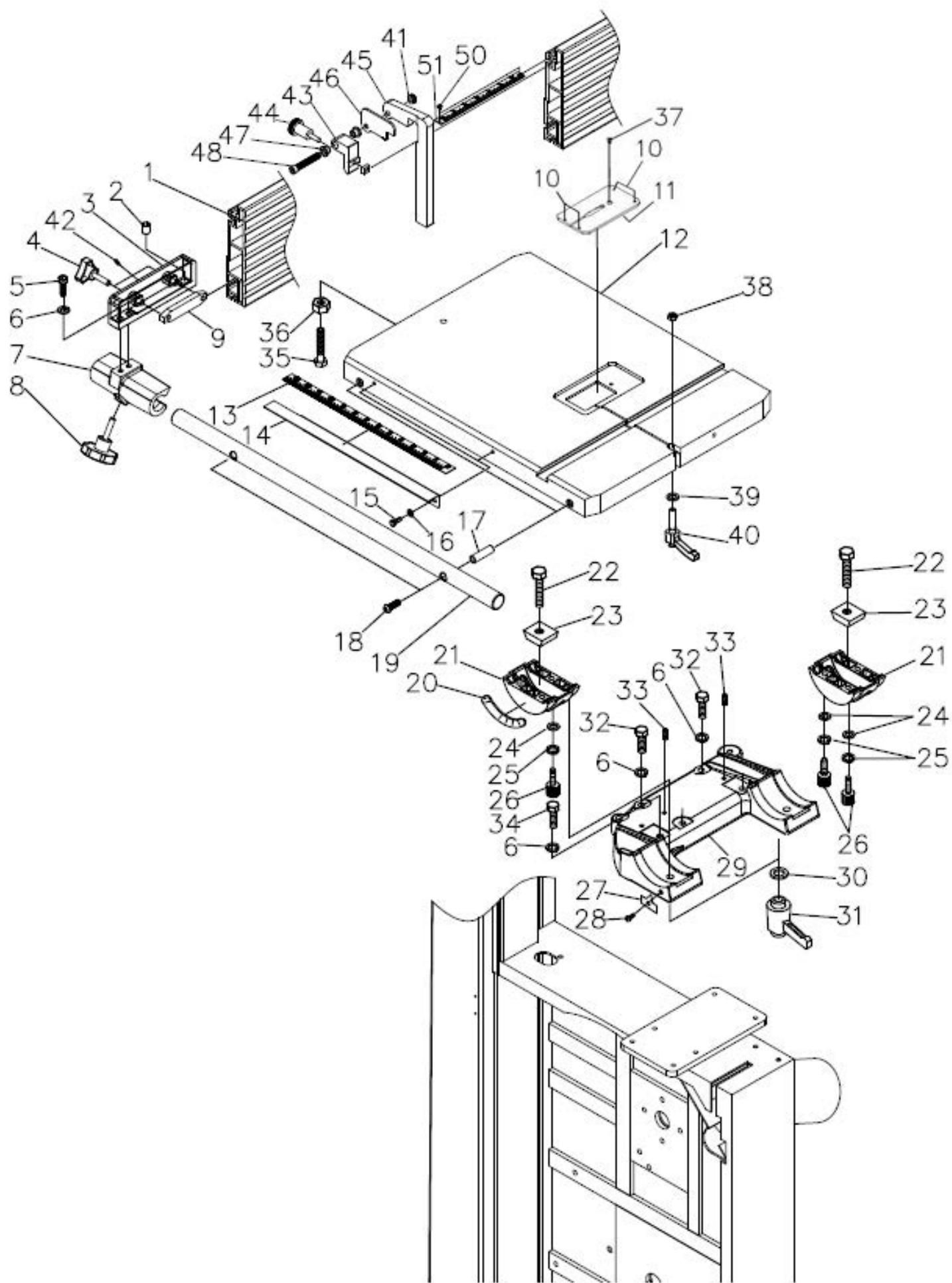
3. Slowly rotate the handwheel CW to increase the speed, or CCW to decrease the speed.
5. Reengage the lock immediately after adjusting speed. **WARNING:** You must engage this lock directly after adjusting the speed.

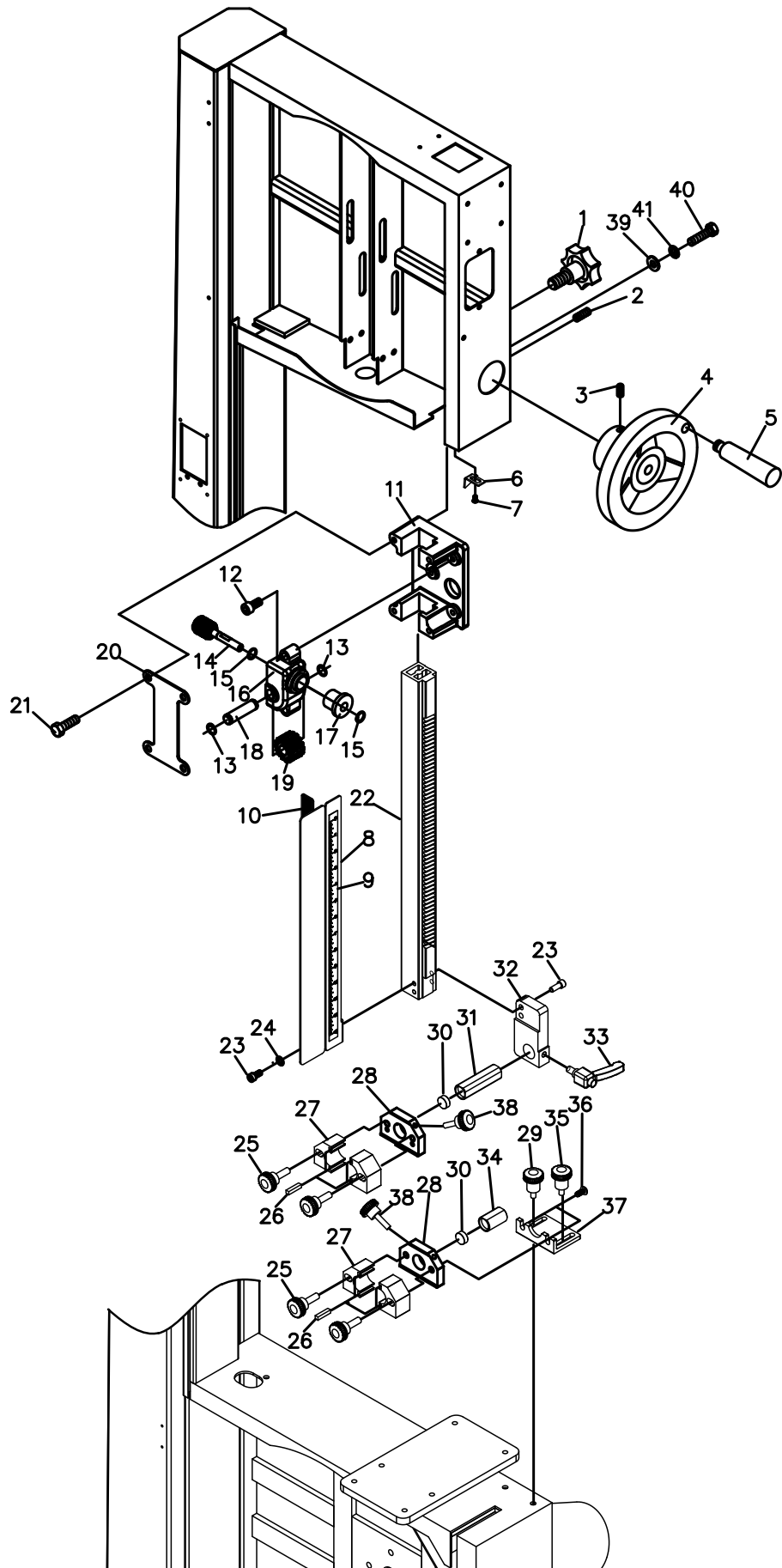
Index	Part No	Item Description	Specification	Qty
Upper Wheel Assembly				
1	PBAND18BX2203-1	Hex Nut	5/8-18UNF-LH	1
2	PBAND18BX2203-2	Ball Bearing	6204LLU	2
4	PBAND18BX2203-4	PU Tire		1
5	PBAND18BX2203-5	Upper Wheel		1
6	PBAND18BX2203-6	Upper Wheel Shaft		1
7	PBAND18BX2203-7	Upper Wheel Shaft Bracket		1
9	PBAND1412-175-9	Socket Head Cap Screw	3/8"-16x5/8"	1
10	PBAND18BX2203-10	Sliding Bracket		1
11	PBAND18BX2203-11	Hex Cap Screw	M8x80	1
12	PBAND1412-175-170	Switch Plate		1
13	PBAND18BX2203-13	Bushing		1
14	PBAND18BX2203-14	Nylon Inserted Lock Nut	M8	1
15	PBAND18BX2203-15	Pointer		1
16	PBAND18BX2203-16	Special Bolt		2
17	PBAND18BX2203-17	Spring		1
18	PBAND18BX2203-18	Bracket		1
19	PBAND1412-175-19	Pin	Ø4x20	1
20	PBAND18BX2203-20	Adjusting Screw		1
21	PBAND18BX2203-21	Blade Tension Arm Assembly		1
22	PBAND18BX2203-22	Support Block		1
23	PBAND1412-175-23	Plate		1
24	PBAND1412-175-24	Handle		1
25	PBAND1412-175-25	Door Hinge Set		2
25.1	PBAND1412-175-25-1	Door Hinge, Left		2
25.2	PBAND1412-175-25-2	Door Hinge, Right		2
25.3	PBAND1412-175-25-3	Socket Head Cap Screw	M5x0.8x35	2
25.4	PBAND1412-175-25-4	Nylon Inserted Lock Nut	M5x0.8	2
26	PBAND1412-175-26	Screw	M3.5x10mm	10
27	PBAND1412-175-27	Hex Nut	#10-24	4
28	PBAND1412-175-28	Lock Washer	#10	4
29	PBAND1412-175-29	Flat Washer	#10	4
30	PBAND1412-175-30	Tracking Window		2
31	PBAND1412-175-31	Screw	#10-24x1/2"	4
32	PBAND1412-175-32	Hex Nut	1/4"-20	1
33	PBAND1412-175-33	Door Stud		1
34	PBAND18BX2203-34	Tension Gauge		1
35	MBAND14BX110-175-35	Phillips Flat Head Screw	M3x6	6
36	MBAND14BX110-175-36	ON/ OFF Switch		1
37	PBAND1412-175-37	Screw	M5x0.8x16	2

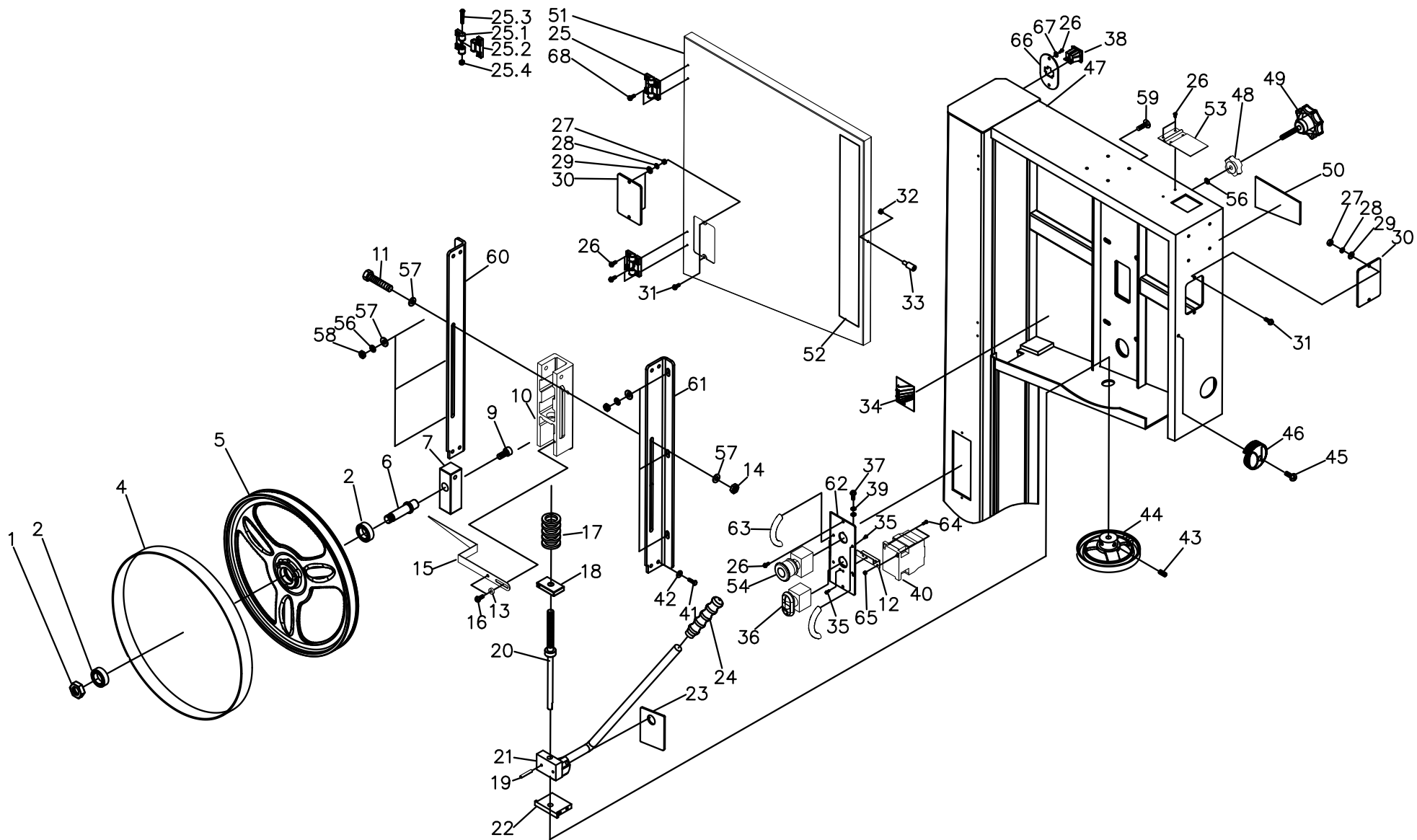
38	PBAND1412-175-38	Outlet		1
39	PBAND1412-175-39	Washer, Lock-Int. Tooth	M5	3
40	MBAND14BX110-175-40	Contactora		1
41	PBAND1412-175-41	Hex Cap Screw	1/4"-20x5/8"	4
42	PBAND1412-175-42	Lock Washer	1/4"	4
43	PBAND1412-175-43	Set Screw	1/4"-20x3/8"	2
44	PBAND18BX2203-44	Handwheel		1
45	PBAND1412-175-45	Screw	1/4"-20x3/4"	1
46	PBAND1412-175-46	Lock Knob		1
47	PBAND18CX110175-47	Saw Body		1
48	PBAND1412-175-48	Lock Knob		1
49	PBAND1412-175-49	Adjusting Knob		1
50	PBAND1412-175-50	Tension Label		1
51	PBAND18BX2203-51	Upper Door		1
52	PBAND18CX110175-52	Logo Label		1
53	PBAND1412-175-53	Hinge Cover		1
54	MBAND14BX110-175-54	Emergency Stop		1
55	PBAND1412-175-55	Warning Label		1
56	PBAND1412-175-2-13	Lock Washer	5/16"	7
57	PBAND1412-175-2-11	Flat Washer	5/16"	8
58	PBAND1412-175-3-38	Hex Nut	5/16"-18	6
59	PBAND18BX2203-59	Carriage Bolt	5/16-18x1"	6
60	PBAND18BX2203-60	Upper Wheel Bracket- Left		1
61	PBAND18BX2203-61	Upper Wheel Bracket- Right		1
62	PBAND18CX110175-62	Control Panel		1
63	MBAND14BX110-175-63	Handle		2
64	MBAND14BX110-175-64	Hex Cap Screw	M4x0.7x12	2
65	MBAND14BX110-175-65	Hex Nut	M4x0.7	2
66	MBAND14BX110-175-66	Plate		1
67	MBAND14BX110-175-67	Washer, Lock-Int. Tooth	M4	2
68	MBAND14BX110-175-68	Screw	M4x0.7x8	4













2072 Alton Parkway Irvine, CA 92606 U.S.A.
825 Bistline Drive, West Columbia, SC 29172 U.S.A
For Customer Service: +1 (949) 474-1200 or email customerservice@lagunatools.com

Laguna Tools is not responsible for errors or omissions. Specifications subject to change. Machines may be shown with optional accessories.

© 2018, Laguna Tools, Inc. LAGUNA® and the LAGUNA Logo® are the registered trademarks of Laguna Tools, Inc. All rights reserved.